

## EMV nut - A-INLE-M16-N-S - 1411268


Please be informed that the data shown in this PDF Document is generated from our Online Catalog. Please find the complete data in the user's documentation. Our General Terms of Use for Downloads are valid (<http://phoenixcontact.com/download>)



EMV nut, material: Brass, nickel-plated, for threads M16 x 1.5, color: silver

RoHS

### Key Commercial Data

Packing unit	1 pc
GTIN	 4 046356 923996
GTIN	4046356923996
Weight per Piece (excluding packing)	3.800 g
Custom tariff number	74199990
Country of origin	Germany

### Technical data

#### Dimensions

Length	4.7 mm
Connecting thread diameter	16 mm
Wrench size, counter nut	19 mm
Hexagon angular dimension	21 mm

#### Ambient conditions

Ambient temperature (operation)	-70 °C ... 220 °C
---------------------------------	-------------------

#### General

Material	Brass, nickel-plated
Thread type on connection side	M16 x 1.5
Color	silver

# EMV nut - A-INLE-M16-N-S - 1411268

## Technical data

### General

Assembly instructions	for EMC cable glands, for removing a non-conductive surface coating
-----------------------	---

### Standards and Regulations

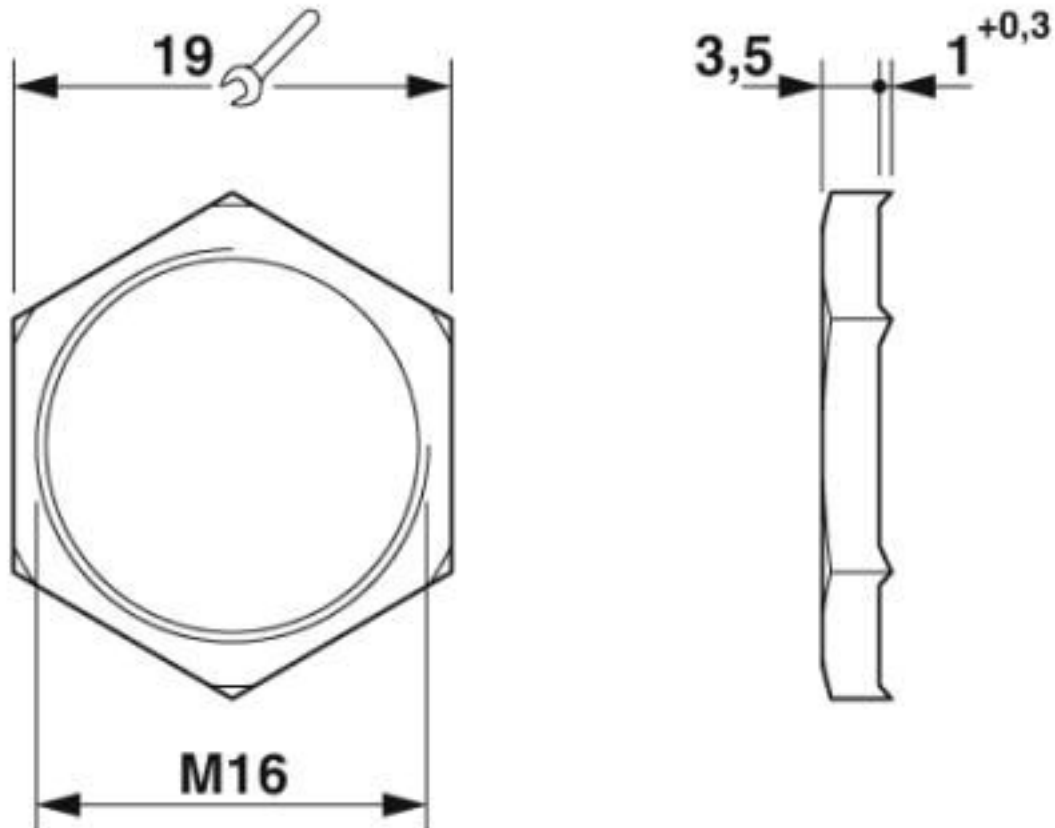
Halogen-free	yes
--------------	-----

### Environmental Product Compliance

REACH SVHC	Lead 7439-92-1
China RoHS	Environmentally Friendly Use Period = 50 years
	For details about hazardous substances go to tab "Downloads", Category "Manufacturer's declaration"

## Drawings

Dimensional drawing



## EMV nut - A-INLE-M16-N-S - 1411268

### Classifications

#### eCl@ss

eCl@ss 10.0.1	27144424
eCl@ss 4.0	27141200
eCl@ss 4.1	27141200
eCl@ss 5.0	27149100
eCl@ss 5.1	27149100
eCl@ss 6.0	27149100
eCl@ss 7.0	27069219
eCl@ss 8.0	27069219
eCl@ss 9.0	27144424

#### ETIM

ETIM 4.0	EC000129
ETIM 5.0	EC000129
ETIM 6.0	EC000940
ETIM 7.0	EC000940

#### UNSPSC

UNSPSC 13.2	31161716
UNSPSC 18.0	31161716
UNSPSC 19.0	31161716
UNSPSC 20.0	31161716
UNSPSC 21.0	31161716