

## Counter nut - A-INL-PG48-N-S - 1411266


Please be informed that the data shown in this PDF Document is generated from our Online Catalog. Please find the complete data in the user's documentation. Our General Terms of Use for Downloads are valid (<http://phoenixcontact.com/download>)

Counter nut, material: Brass, nickel-plated, for threads Pg48, color: silver



RoHS

### Key Commercial Data

|                                      |   |
|--------------------------------------|---|
| Packing unit                         | 1 pc  |
| GTIN                                 | <br>4 046356 923972 |
| GTIN                                 | 4046356923972   |
| Weight per Piece (excluding packing) | 34.400 g  |
| Custom tariff number                 | 74199990  |
| Country of origin                    | Germany   |

### Technical data

#### Dimensions

|                            |         |
|----------------------------|---------|
| Length                     | 5.5 mm  |
| Connecting thread diameter | 59.3 mm |
| Wrench size, counter nut   | 64 mm   |
| Hexagon angular dimension  | 69 mm   |

#### Ambient conditions

|                                 |                   |
|---------------------------------|-------------------|
| Ambient temperature (operation) | -70 °C ... 220 °C |
|---------------------------------|-------------------|

#### General

|                                |                      |
|--------------------------------|----------------------|
| Material                       | Brass, nickel-plated |
| Thread type on connection side | Pg48                 |
| Color                          | silver               |

# Counter nut - A-INL-PG48-N-S - 1411266

## Technical data

### Standards and Regulations

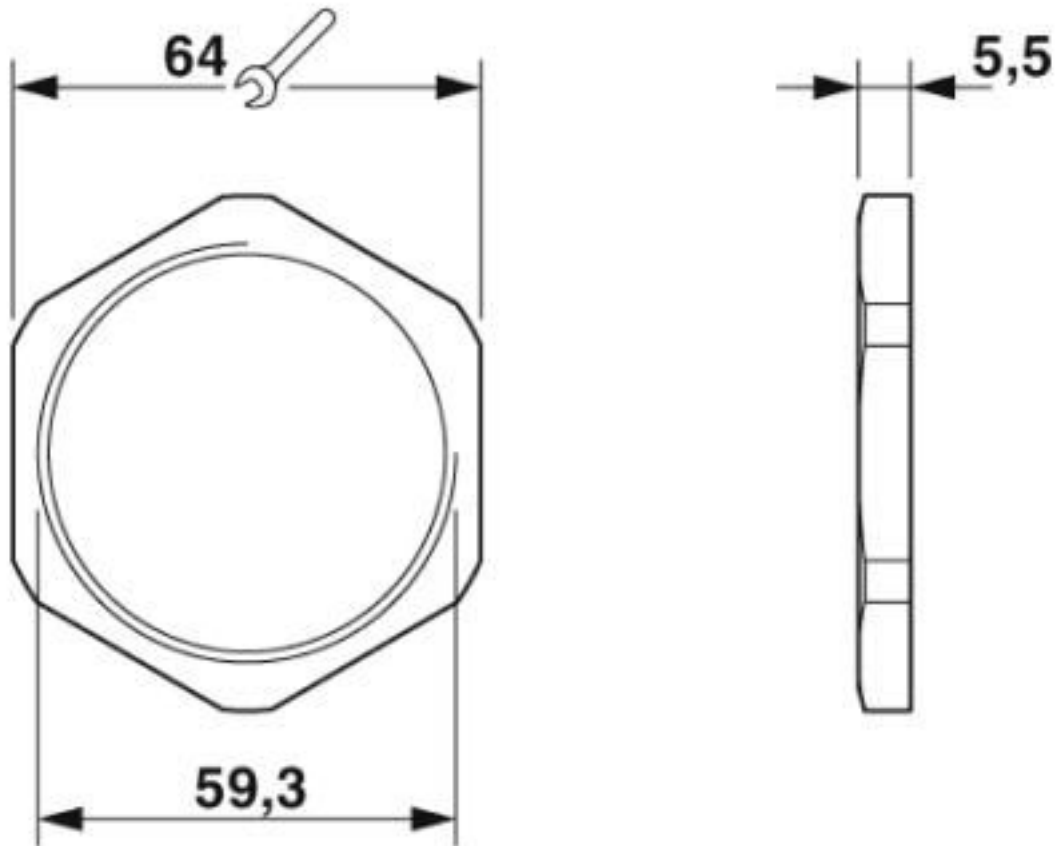
|              |     |
|--------------|-----|
| Halogen-free | yes |
|--------------|-----|

### Environmental Product Compliance

|            |   |
|------------|---|
| REACH SVHC | Lead 7439-92-1  |
| China RoHS | Environmentally Friendly Use Period = 50 years  |
|            | For details about hazardous substances go to tab "Downloads", Category "Manufacturer's declaration" |

## Drawings

Dimensional drawing



## Classifications

eCl@ss

|               |          |
|---------------|----------|
| eCl@ss 10.0.1 | 27144424 |
|---------------|----------|

## Counter nut - A-INL-PG48-N-S - 1411266

### Classifications

#### eCl@ss

|            |          |
|------------|----------|
| eCl@ss 4.0 | 27141200 |
| eCl@ss 4.1 | 27141200 |
| eCl@ss 5.0 | 27149100 |
| eCl@ss 5.1 | 27149100 |
| eCl@ss 6.0 | 27149100 |
| eCl@ss 7.0 | 27069219 |
| eCl@ss 8.0 | 27069219 |
| eCl@ss 9.0 | 27144424 |

#### ETIM

|          |          |
|----------|----------|
| ETIM 4.0 | EC000032 |
| ETIM 5.0 | EC000129 |
| ETIM 6.0 | EC000940 |
| ETIM 7.0 | EC000940 |

#### UNSPSC

|             |          |
|-------------|----------|
| UNSPSC 13.2 | 31161716 |
| UNSPSC 18.0 | 31161716 |
| UNSPSC 19.0 | 31161716 |
| UNSPSC 20.0 | 31161716 |
| UNSPSC 21.0 | 31161716 |