


## Counter nut - A-INL-M63-N-S - 1411248

Please be informed that the data shown in this PDF Document is generated from our Online Catalog. Please find the complete data in the user's documentation. Our General Terms of Use for Downloads are valid (<http://phoenixcontact.com/download>)

Counter nut, material: Brass, nickel-plated, for threads M63 x 1.5, color: silver



### Key Commercial Data

Packing unit	1 pc
GTIN	 4 046356 923804
GTIN	4046356923804
Weight per Piece (excluding packing)	56.800 g
Custom tariff number	74199990
Country of origin	Germany

### Technical data

#### Dimensions

Length	6 mm
Connecting thread diameter	63 mm
Wrench size, counter nut	70 mm
Hexagon angular dimension	75 mm

#### Ambient conditions

Ambient temperature (operation)	-70 °C ... 220 °C
---------------------------------	-------------------

#### General

Material	Brass, nickel-plated
Thread type on connection side	M63 x 1.5
Color	silver

# Counter nut - A-INL-M63-N-S - 1411248

## Technical data

### Standards and Regulations

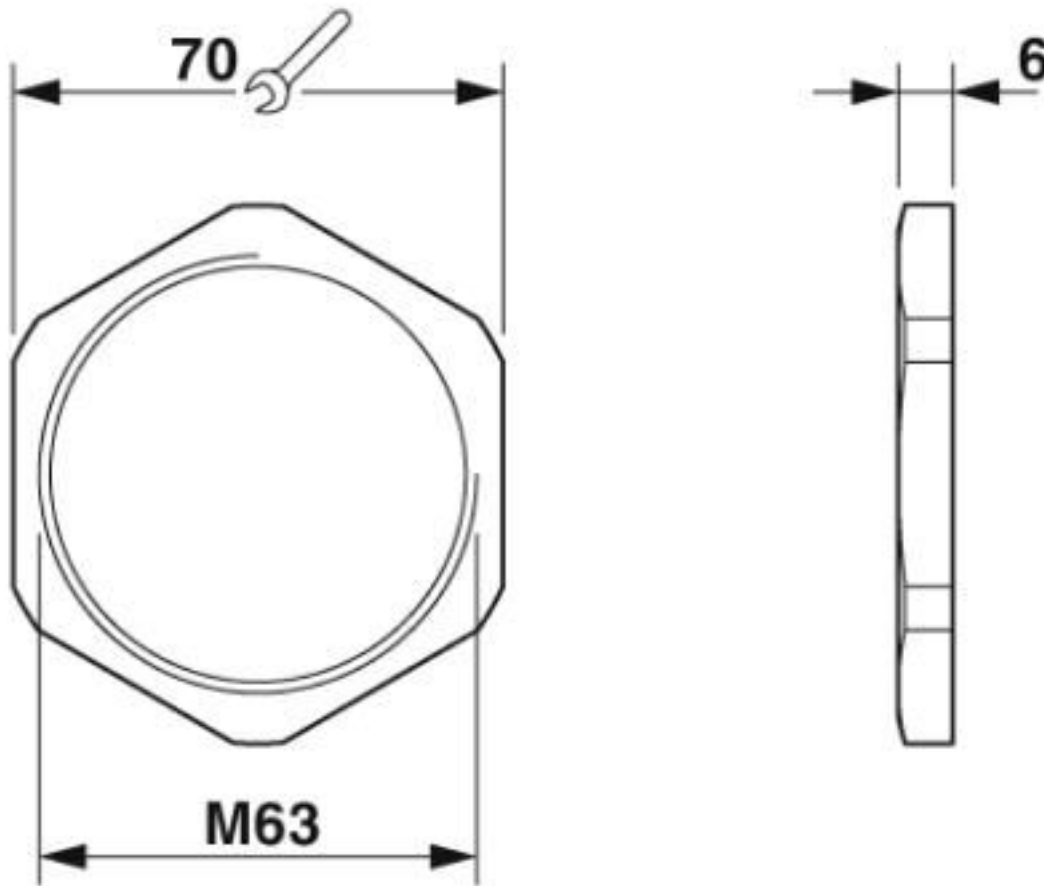
Halogen-free	yes
--------------	-----

### Environmental Product Compliance

REACH SVHC	Lead 7439-92-1
China RoHS	Environmentally Friendly Use Period = 50 years
	For details about hazardous substances go to tab "Downloads", Category "Manufacturer's declaration"

## Drawings

Dimensional drawing



# Counter nut - A-INL-M63-N-S - 1411248

## Classifications

### eCl@ss

eCl@ss 10.0.1	27144424
eCl@ss 4.0	27141200
eCl@ss 4.1	27141200
eCl@ss 5.0	27149100
eCl@ss 5.1	27149100
eCl@ss 6.0	27149100
eCl@ss 7.0	27069219
eCl@ss 8.0	27069219
eCl@ss 9.0	27144424

### ETIM

ETIM 4.0	EC000032
ETIM 5.0	EC000129
ETIM 6.0	EC000940
ETIM 7.0	EC000940

### UNSPSC

UNSPSC 13.2	31161716
UNSPSC 18.0	31161716
UNSPSC 19.0	31161716
UNSPSC 20.0	31161716
UNSPSC 21.0	31161716