


## Counter nut - A-INL-NPT1-P-BK - 1411239

Please be informed that the data shown in this PDF Document is generated from our Online Catalog. Please find the complete data in the user's documentation. Our General Terms of Use for Downloads are valid (<http://phoenixcontact.com/download>)

Counter nut, material: PA, for threads 1 inch NPT, color: jet black RAL 9005



### Key Commercial Data

Packing unit	1 pc
Minimum order quantity	5 pc
GTIN	 4 046356 923705
GTIN	4046356923705
Weight per Piece (excluding packing)	8.000 g
Custom tariff number	39269097
Country of origin	Turkey

### Technical data

#### Dimensions

Length	6 mm
Connecting thread diameter	32.4 mm
Wrench size, counter nut	47 mm
Hexagon angular dimension	46.5 mm

#### Ambient conditions

Ambient temperature (operation)	-40 °C ... 100 °C
---------------------------------	-------------------

#### General

Material	PA
Flammability rating according to UL 94	V2

# Counter nut - A-INL-NPT1-P-BK - 1411239

## Technical data

### General

Thread type on connection side	1 inch NPT
Color	jet black RAL 9005

### Standards and Regulations

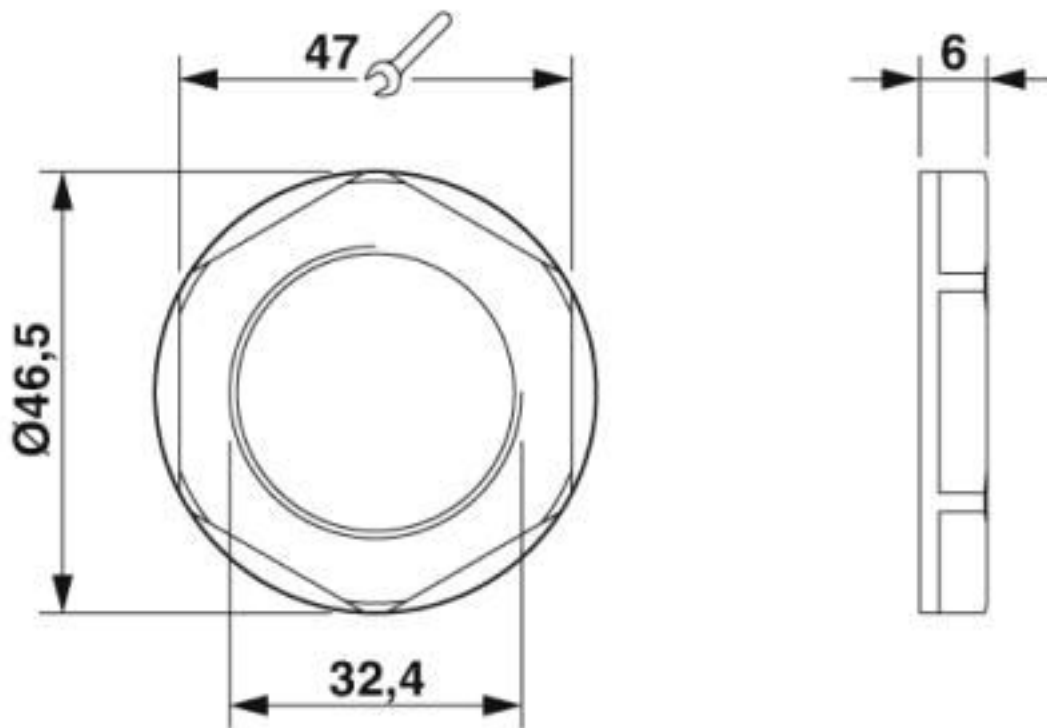
Halogen-free	yes
Flammability rating according to UL 94	V2

### Environmental Product Compliance

China RoHS	Environmentally friendly use period: unlimited = EFUP-e
	No hazardous substances above threshold values

## Drawings

Dimensional drawing



## Classifications

### ETIM

ETIM 4.0	EC000032
----------	----------

## Counter nut - A-INL-NPT1-P-BK - 1411239

### Classifications

#### ETIM

ETIM 5.0	EC000129
ETIM 6.0	EC000940
ETIM 7.0	EC000940

#### UNSPSC

UNSPSC 13.2	31161716
UNSPSC 18.0	31161716
UNSPSC 19.0	31161716
UNSPSC 20.0	31161716
UNSPSC 21.0	31161716

#### eCl@ss

eCl@ss 10.0.1	27144424
eCl@ss 4.0	27141200
eCl@ss 4.1	27141200
eCl@ss 5.0	27149100
eCl@ss 5.1	27149100
eCl@ss 6.0	27149100
eCl@ss 7.0	27069219
eCl@ss 8.0	27069219
eCl@ss 9.0	27144424