


## Counter nut - A-INL-PG29-P-GY - 1411227

Please be informed that the data shown in this PDF Document is generated from our Online Catalog. Please find the complete data in the user's documentation. Our General Terms of Use for Downloads are valid (<http://phoenixcontact.com/download>)

Counter nut, material: PA, for threads Pg29, color: silver-gray RAL 7001



### Key Commercial Data

Packing unit	1 pc
GTIN	 4 046356 923590
GTIN	4046356923590
Weight per Piece (excluding packing)	8.000 g
Custom tariff number	39269097
Country of origin	Turkey

### Technical data

#### Dimensions

Length	7 mm
Connecting thread diameter	37 mm
Wrench size, counter nut	46 mm
Hexagon angular dimension	50 mm

#### Ambient conditions

Ambient temperature (operation)	-40 °C ... 100 °C
---------------------------------	-------------------

#### General

Material	PA
Flammability rating according to UL 94	V2
Thread type on connection side	Pg29

# Counter nut - A-INL-PG29-P-GY - 1411227

## Technical data

### General

Color	silver-gray RAL 7001
-------	----------------------

### Standards and Regulations

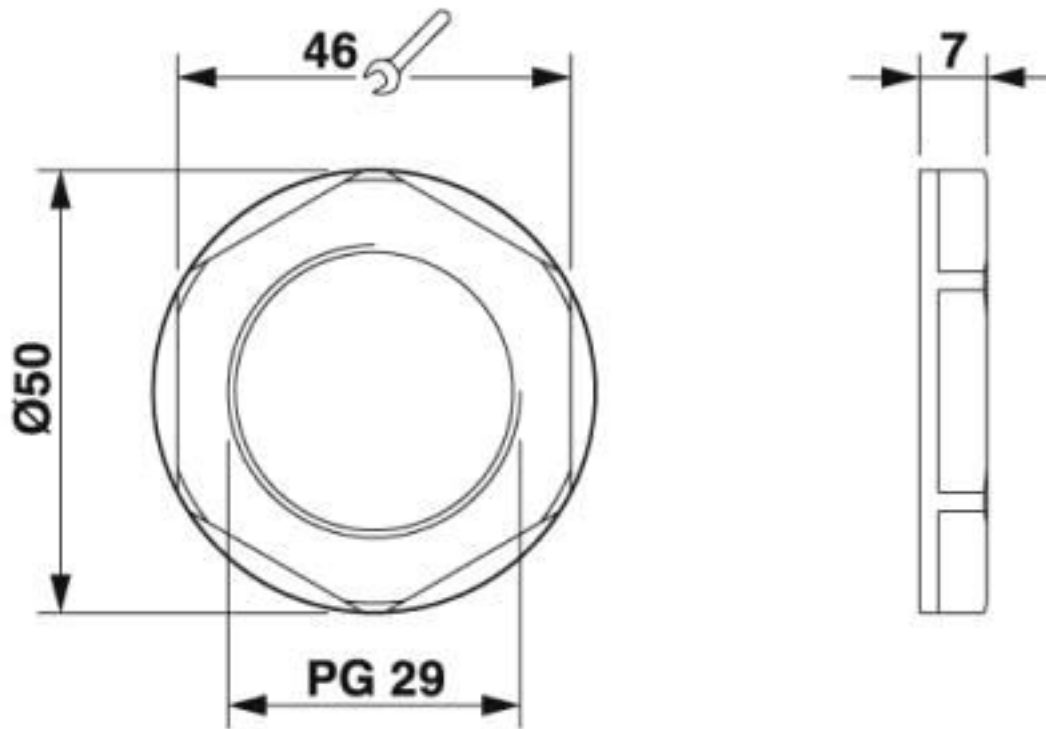
Halogen-free	yes
Flammability rating according to UL 94	V2

### Environmental Product Compliance

China RoHS	Environmentally friendly use period: unlimited = EFUP-e
	No hazardous substances above threshold values

## Drawings

Dimensional drawing



## Classifications

eCl@ss

eCl@ss 10.0.1	27144424
eCl@ss 4.0	27141200

## Counter nut - A-INL-PG29-P-GY - 1411227

### Classifications

#### eCl@ss

eCl@ss 4.1	27141200
eCl@ss 5.0	27149100
eCl@ss 5.1	27149100
eCl@ss 6.0	27149100
eCl@ss 7.0	27069219
eCl@ss 8.0	27069219
eCl@ss 9.0	27144424

#### ETIM

ETIM 4.0	EC000032
ETIM 5.0	EC000129
ETIM 6.0	EC000940
ETIM 7.0	EC000940

#### UNSPSC

UNSPSC 13.2	31161716
UNSPSC 18.0	31161716
UNSPSC 19.0	31161716
UNSPSC 20.0	31161716
UNSPSC 21.0	31161716