

Counter nut - A-INL-PG9-P-GY - 1411222


Please be informed that the data shown in this PDF Document is generated from our Online Catalog. Please find the complete data in the user's documentation. Our General Terms of Use for Downloads are valid (<http://phoenixcontact.com/download>)

Counter nut, material: PA, for threads Pg9, color: silver-gray RAL 7001



RoHS

Key Commercial Data

| | |
|--------------------------------------|---|
| Packing unit | 1 pc |
| GTIN |  4 046356 923545 |
| GTIN | 4046356923545 |
| Weight per Piece (excluding packing) | 2.000 g |
| Custom tariff number | 39269097 |
| Country of origin | Turkey |

Technical data

Dimensions

| | |
|----------------------------|---------|
| Length | 5 mm |
| Connecting thread diameter | 15.2 mm |
| Wrench size, counter nut | 22 mm |
| Hexagon angular dimension | 24 mm |

Ambient conditions

| | |
|---------------------------------|-------------------|
| Ambient temperature (operation) | -40 °C ... 100 °C |
|---------------------------------|-------------------|

General

| | |
|--|-----|
| Material | PA |
| Flammability rating according to UL 94 | V2 |
| Thread type on connection side | Pg9 |

Counter nut - A-INL-PG9-P-GY - 1411222

Technical data

General

| | |
|-------|----------------------|
| Color | silver-gray RAL 7001 |
|-------|----------------------|

Standards and Regulations

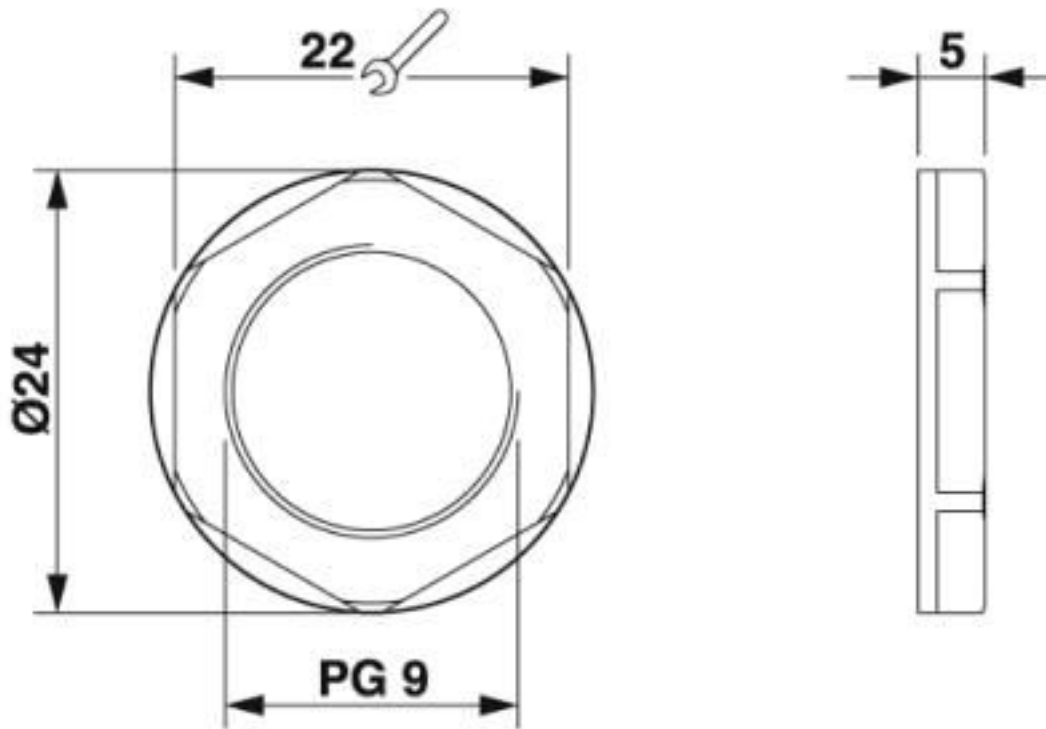
| | |
|--|-----|
| Halogen-free | yes |
| Flammability rating according to UL 94 | V2 |

Environmental Product Compliance

| | |
|------------|---|
| China RoHS | Environmentally friendly use period: unlimited = EFUP-e |
| | No hazardous substances above threshold values |

Drawings

Dimensional drawing



Classifications

eCl@ss

| | |
|---------------|----------|
| eCl@ss 10.0.1 | 27144424 |
| eCl@ss 4.0 | 27141200 |

Counter nut - A-INL-PG9-P-GY - 1411222

Classifications

eCl@ss

| | |
|------------|----------|
| eCl@ss 4.1 | 27141200 |
| eCl@ss 5.0 | 27149100 |
| eCl@ss 5.1 | 27149100 |
| eCl@ss 6.0 | 27149100 |
| eCl@ss 7.0 | 27069219 |
| eCl@ss 8.0 | 27069219 |
| eCl@ss 9.0 | 27144424 |

ETIM

| | |
|----------|----------|
| ETIM 4.0 | EC000032 |
| ETIM 5.0 | EC000129 |
| ETIM 6.0 | EC000940 |
| ETIM 7.0 | EC000940 |

UNSPSC

| | |
|-------------|----------|
| UNSPSC 13.2 | 31161716 |
| UNSPSC 18.0 | 31161716 |
| UNSPSC 19.0 | 31161716 |
| UNSPSC 20.0 | 31161716 |
| UNSPSC 21.0 | 31161716 |