

## Cable gland - G-INSEC-M63-L68N-NCRS-S - 1411194


Please be informed that the data shown in this PDF Document is generated from our Online Catalog. Please find the complete data in the user's documentation. Our General Terms of Use for Downloads are valid (<http://phoenixcontact.com/download>)



Cable gland, cable gland material: Nickel-plated brass, external cable diameter 32 mm ... 42 mm, shielding: yes, connecting thread: M63 x 1.5, color: silver, with O-ring



### Key Commercial Data

Packing unit	1 pc
GTIN	 4 046356 923255
GTIN	4046356923255
Weight per Piece (excluding packing)	380.000 g
Custom tariff number	74199990
Country of origin	Germany

### Technical data

#### Dimensions

Length	52 mm
Wrench size, union nut	65 mm
Wrench size, support	65 mm
Hexagon angular dimension	70 mm
Length of the connecting thread	10 mm
Feed-through hole diameter	63.1 mm ... 63.3 mm
External cable diameter	32 mm ... 42 mm

#### Ambient conditions

Degree of protection (IP)	IP68 (5 bar, 30 minutes)
Ambient temperature (operation)	-40 °C ... 100 °C (static)

## Cable gland - G-INSEC-M63-L68N-NCRS-S - 1411194

### Technical data

#### General

No. of conductors	1
Cable gland material	Nickel-plated brass
Material, insert	Polyamide 6
Cable seal material	CR/NBR
O-ring material	Perbunan
Shielded	yes
Thread type on connection side	M63 x 1.5
Torque	13.5 Nm (Union nut: EN 62444)
	13.5 Nm (Support: EN 62444)
Color	silver
Impact category	7
Execution of the strain relief	A
Connection	<p>Method 1 Cut the outer sheath, but do not remove it. Feed the cable through the screw connection and then remove the outer sheath. Now pull the cable back until the connection is established between the cable shield and the contact spring.</p> <p>Method 2 Push the braided shield back around 15 ... 20 mm over the outer sheath. Insert the cables into the screw connection until the connection is established between the cable shield and the contact spring.</p>
Manufacturer	Jacob
Manufacturer Designation	50.663 M/EMVD

#### Standards and Regulations

Halogen-free	no
Connection in acc. with standard	CUL

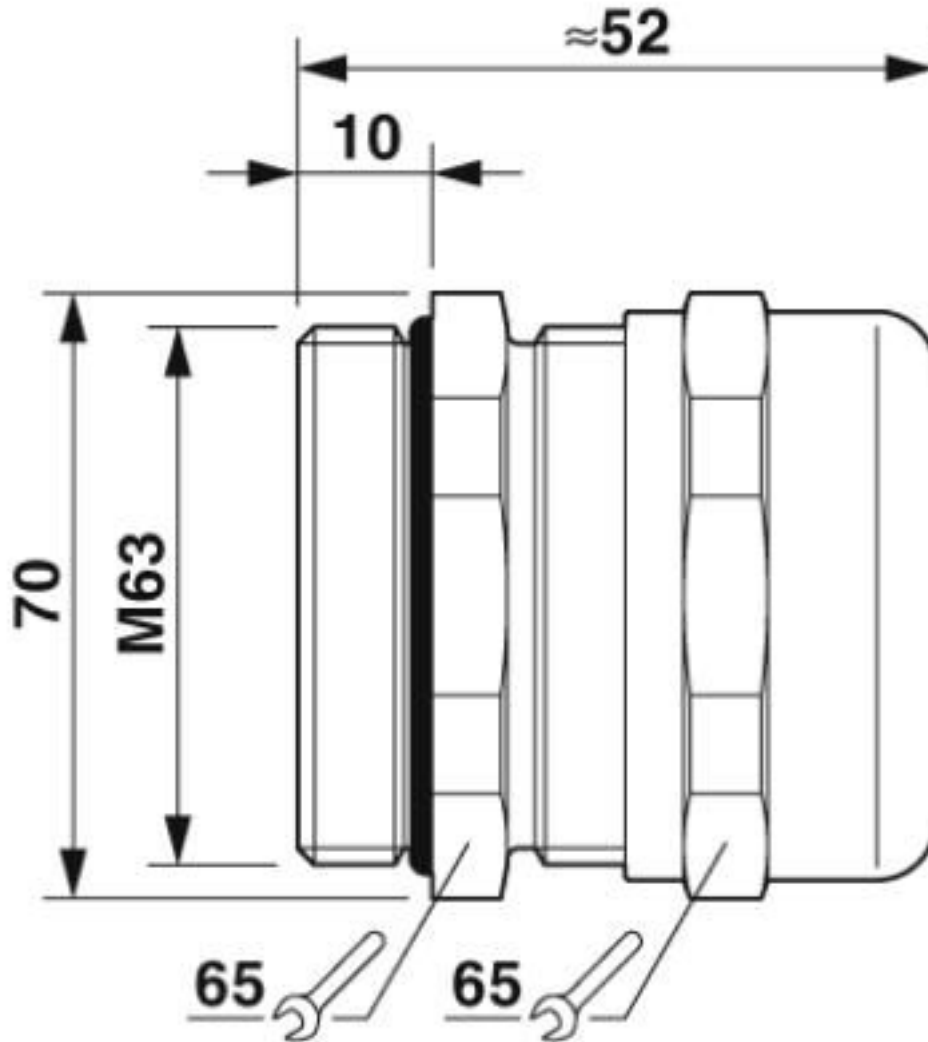
#### Environmental Product Compliance

REACH SVHC	Lead 7439-92-1
China RoHS	Environmentally Friendly Use Period = 50 years
	For details about hazardous substances go to tab "Downloads", Category "Manufacturer's declaration"

### Drawings

# Cable gland - G-INSEC-M63-L68N-NCRS-S - 1411194

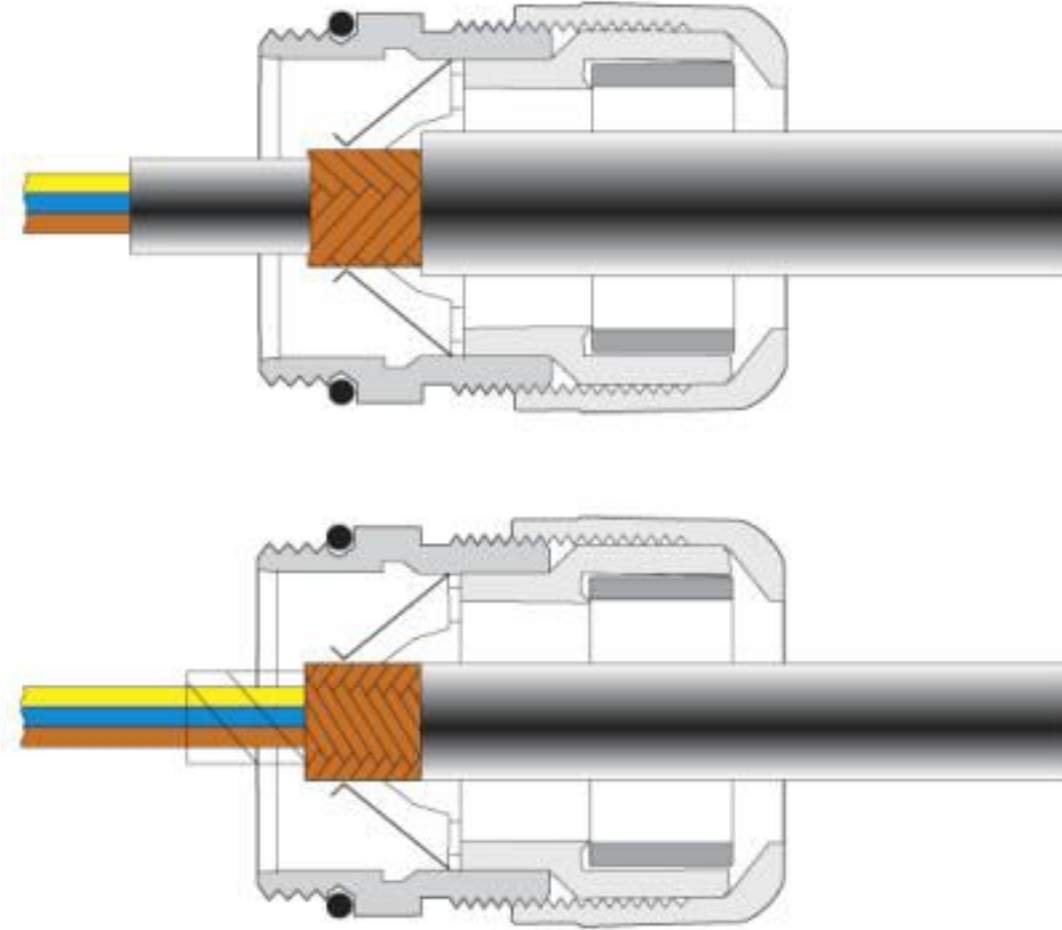
Dimensional drawing



Dimensional drawing

## Cable gland - G-INSEC-M63-L68N-NCRS-S - 1411194

Functional drawing



See assembly instruction

### Classifications

eCl@ss

eCl@ss 10.0.1	27144432
eCl@ss 4.0	27141200
eCl@ss 4.1	27141200
eCl@ss 5.0	27149100
eCl@ss 5.1	27149100
eCl@ss 6.0	27149100
eCl@ss 7.0	27149109
eCl@ss 8.0	27149109

# Cable gland - G-INSEC-M63-L68N-NCRS-S - 1411194

## Classifications

eCl@ss

eCl@ss 9.0	27144432
------------	----------

### ETIM

ETIM 4.0	EC000441
ETIM 5.0	EC000441
ETIM 6.0	EC000441
ETIM 7.0	EC000441

### UNSPSC

UNSPSC 13.2	39121311
UNSPSC 18.0	39121311
UNSPSC 19.0	39121311
UNSPSC 20.0	39121311
UNSPSC 21.0	39121311

## Approvals

### Approvals


Approvals


UL Listed / UL Recognized / cUL Recognized / cUL Listed / cULus Recognized / cULus Listed

Ex Approvals

### Approval details


UL Listed		<a href="http://database.ul.com/cgi-bin/XYV/template/LISEXT/1FRAME/index.htm">http://database.ul.com/cgi-bin/XYV/template/LISEXT/1FRAME/index.htm</a>	QCRV.E140310
-----------	---	---	--------------

UL Recognized		<a href="http://database.ul.com/cgi-bin/XYV/template/LISEXT/1FRAME/index.htm">http://database.ul.com/cgi-bin/XYV/template/LISEXT/1FRAME/index.htm</a>	QCRV2.E140310
---------------	---	---	---------------


cUL Recognized		<a href="http://database.ul.com/cgi-bin/XYV/template/LISEXT/1FRAME/index.htm">http://database.ul.com/cgi-bin/XYV/template/LISEXT/1FRAME/index.htm</a>	QCRV8.E140310
----------------	---	---	---------------

## Cable gland - G-INSEC-M63-L68N-NCRS-S - 1411194

### Approvals

cUL Listed		<a href="http://database.ul.com/cgi-bin/XYVV/template/LISEXT/1FRAME/index.htm">http://database.ul.com/cgi-bin/XYVV/template/LISEXT/1FRAME/index.htm</a>	QCRV7.E140310
------------	---	---	---------------

cULus Recognized	
------------------	---

cULus Listed	
--------------	---

### Accessories

#### Accessories

##### Flat nut

EMV nut - A-INLE-M63-N-S - 1411274



EMV nut, material: Brass, nickel-plated, for threads M63 x 1.5, color: silver

---

#### Sealing plugs

Closing cap - SEALING PLUG 35X35 RD - 1421865



Closing cap, material: PA, color: red