

Cable gland - G-INSEC-M20-S68N-NCRS-S - 1411189


Please be informed that the data shown in this PDF Document is generated from our Online Catalog. Please find the complete data in the user's documentation. Our General Terms of Use for Downloads are valid (<http://phoenixcontact.com/download>)



Cable gland, cable gland material: Nickel-plated brass, external cable diameter 9 mm ... 13 mm, shielding: yes, connecting thread: M20 x 1.5, color: silver, with O-ring



Key Commercial Data

Packing unit	1 pc
Minimum order quantity	5 pc
GTIN	 4 046356 923200
GTIN	4046356923200
Weight per Piece (excluding packing)	40.000 g
Custom tariff number	74199990
Country of origin	Germany

Technical data

Dimensions

Length	33 mm
Wrench size, union nut	22 mm
Wrench size, support	22 mm
Hexagon angular dimension	24 mm
Length of the connecting thread	6 mm
Feed-through hole diameter	20.1 mm ... 20.2 mm
External cable diameter	9 mm ... 13 mm

Ambient conditions

Degree of protection (IP)	IP68 (5 bar, 30 minutes)
Ambient temperature (operation)	-40 °C ... 100 °C (static)

Cable gland - G-INSEC-M20-S68N-NCRS-S - 1411189

Technical data

General

No. of conductors	1
Cable gland material	Nickel-plated brass
Material, insert	Polyamide 6
Cable seal material	CR/NBR
O-ring material	Perbunan
Shielded	yes
Thread type on connection side	M20 x 1.5
Torque	5 Nm (Union nut: EN 62444)
	5 Nm (Support: EN 62444)
Color	silver
Impact category	6
Execution of the strain relief	A
Connection	<p>Method 1 Cut the outer sheath, but do not remove it. Feed the cable through the screw connection and then remove the outer sheath. Now pull the cable back until the connection is established between the cable shield and the contact spring.</p> <p>Method 2 Push the braided shield back around 15 ... 20 mm over the outer sheath. Insert the cables into the screw connection until the connection is established between the cable shield and the contact spring.</p>
Manufacturer	Jacob
Manufacturer Designation	50.620 M/EMVD

Standards and Regulations

Halogen-free	no
Connection in acc. with standard	CUL

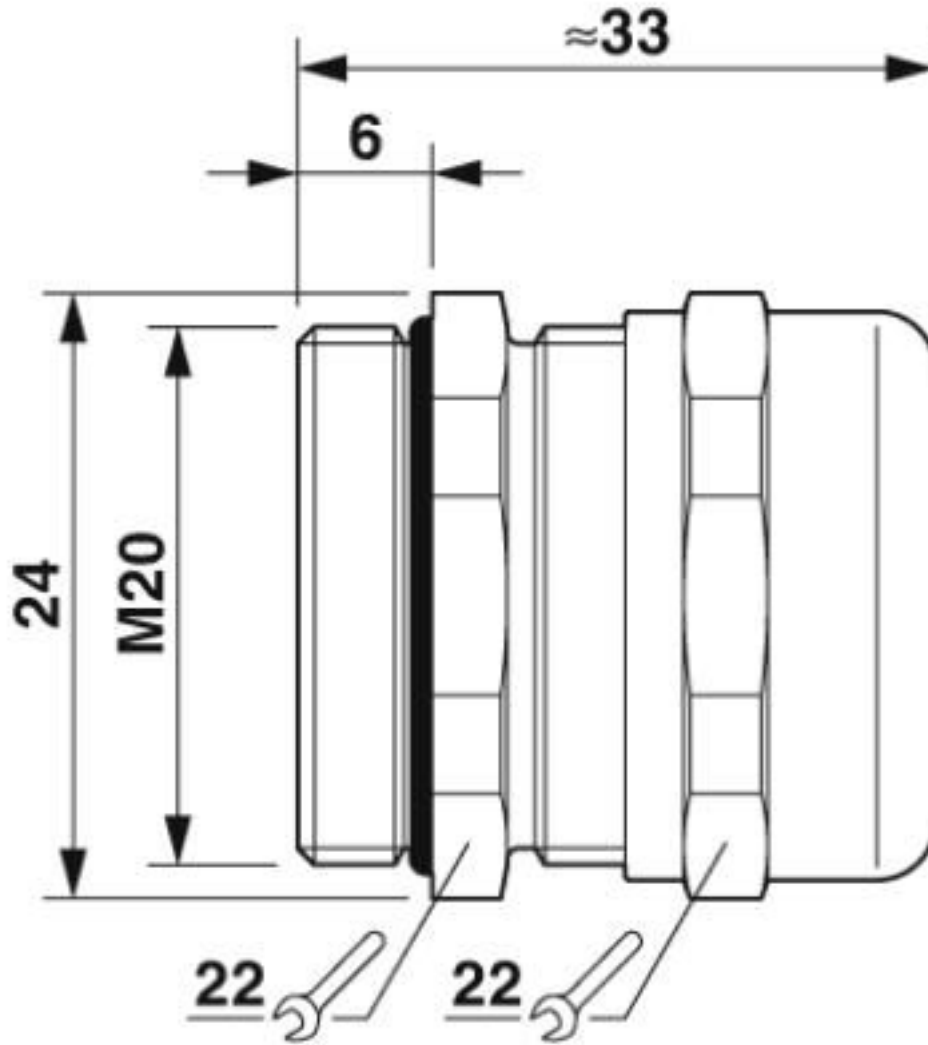
Environmental Product Compliance

REACH SVHC	Lead 7439-92-1
China RoHS	Environmentally Friendly Use Period = 50 years
	For details about hazardous substances go to tab "Downloads", Category "Manufacturer's declaration"

Drawings

Cable gland - G-INSEC-M20-S68N-NCRS-S - 1411189

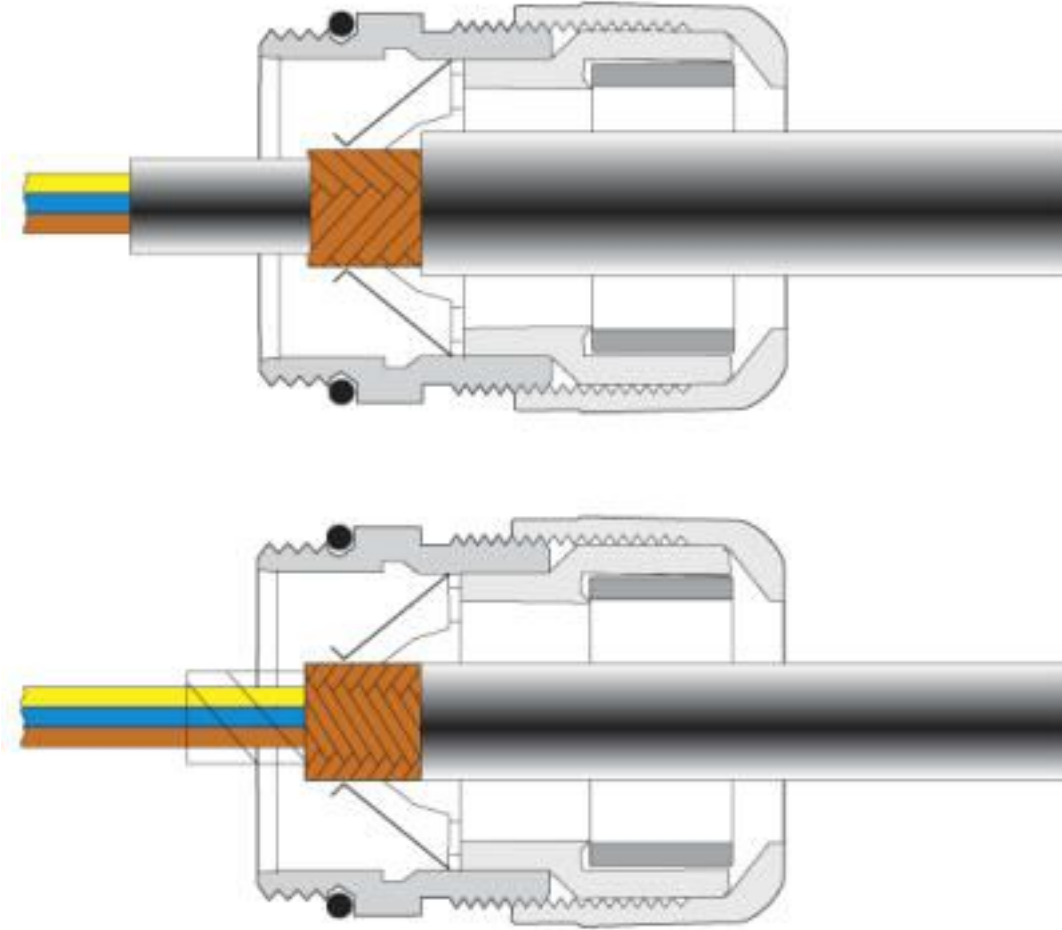
Dimensional drawing



Dimensional drawing

Cable gland - G-INSEC-M20-S68N-NCRS-S - 1411189

Functional drawing



See assembly instruction

Classifications

eCl@ss

eCl@ss 10.0.1	27144432
eCl@ss 4.0	27141200
eCl@ss 4.1	27141200
eCl@ss 5.0	27149100
eCl@ss 5.1	27149100
eCl@ss 6.0	27149100
eCl@ss 7.0	27149109
eCl@ss 8.0	27149109

Cable gland - G-INSEC-M20-S68N-NCRS-S - 1411189

Classifications

eCl@ss

eCl@ss 9.0	27144432
------------	----------

ETIM

ETIM 4.0	EC000441
ETIM 5.0	EC000441
ETIM 6.0	EC000441
ETIM 7.0	EC000441

UNSPSC

UNSPSC 13.2	39121311
UNSPSC 18.0	39121311
UNSPSC 19.0	39121311
UNSPSC 20.0	39121311
UNSPSC 21.0	39121311

Approvals

Approvals

Approvals

UL Listed / UL Recognized / cUL Recognized / cUL Listed / cULus Recognized / cULus Listed

Ex Approvals

Approval details

UL Listed		http://database.ul.com/cgi-bin/XYV/template/LISEXT/1FRAME/index.htm	QCRV.E140310
-----------	--	---	--------------

UL Recognized		http://database.ul.com/cgi-bin/XYV/template/LISEXT/1FRAME/index.htm	QCRV2.E140310
---------------	--	---	---------------

cUL Recognized		http://database.ul.com/cgi-bin/XYV/template/LISEXT/1FRAME/index.htm	QCRV8.E140310
----------------	--	---	---------------

Cable gland - G-INSEC-M20-S68N-NCRS-S - 1411189

Approvals

cUL Listed



<http://database.ul.com/cgi-bin/XYVV/template/LISEXT/1FRAME/index.htm>

QCRV7.E140310

cULus Recognized



cULus Listed



Accessories

Accessories

Flat nut

EMV nut - A-INLE-M20-N-S - 1411269



EMV nut, material: Brass, nickel-plated, for threads M20 x 1.5, color: silver

Sealing plugs

Closing cap - SEALING PLUG 10X16 RD - 1400284



Closing cap, material: PA, for threads pluggable, color: red