

## Cable gland - G-INS-NPT1/2-S68L-NNES-S - 1411183


Please be informed that the data shown in this PDF Document is generated from our Online Catalog. Please find the complete data in the user's documentation. Our General Terms of Use for Downloads are valid (<http://phoenixcontact.com/download>)



Cable gland, cable gland material: Nickel-plated brass, external cable diameter 10 mm ... 14 mm, shielding: no, connecting thread: 1/2 inch NPT, color: silver, with O-ring



### Key Commercial Data

Packing unit	1 pc
Minimum order quantity	10 pc
GTIN	 4 046356 923156
GTIN	4046356923156
Weight per Piece (excluding packing)	36.000 g
Custom tariff number	74199990
Country of origin	Turkey

### Technical data

#### Dimensions

Length	39 mm
Wrench size, union nut	22 mm
Wrench size, support	22 mm
Hexagon angular dimension	29.7 mm
Length of the connecting thread	13 mm
External cable diameter	10 mm ... 14 mm
	10 mm ... 12 mm (for UL 514 B)

#### Ambient conditions

Degree of protection (IP)	IP68
Degree of protection (NEMA)	4X

# Cable gland - G-INS-NPT1/2-S68L-NNES-S - 1411183

## Technical data

### Ambient conditions

Ambient temperature (operation)	-40 °C ... 100 °C (static)
---------------------------------	----------------------------

### General

No. of conductors	1
Cable gland material	Nickel-plated brass
Material, insert	Polyamide 6
Cable seal material	CR
O-ring material	Perbunan
Shielded	no
Thread type on connection side	1/2 inch NPT
Torque	17 Nm ± ()
Color	silver
Assembly instructions	1) Mount screw connection support in the housing using the correct torque 2) Insert cable 3) Tighten union nut using the correct torque
Manufacturer	BIMED
Manufacturer Designation	BNBC-02

### Standards and Regulations

Halogen-free	no
Connection in acc. with standard	UL

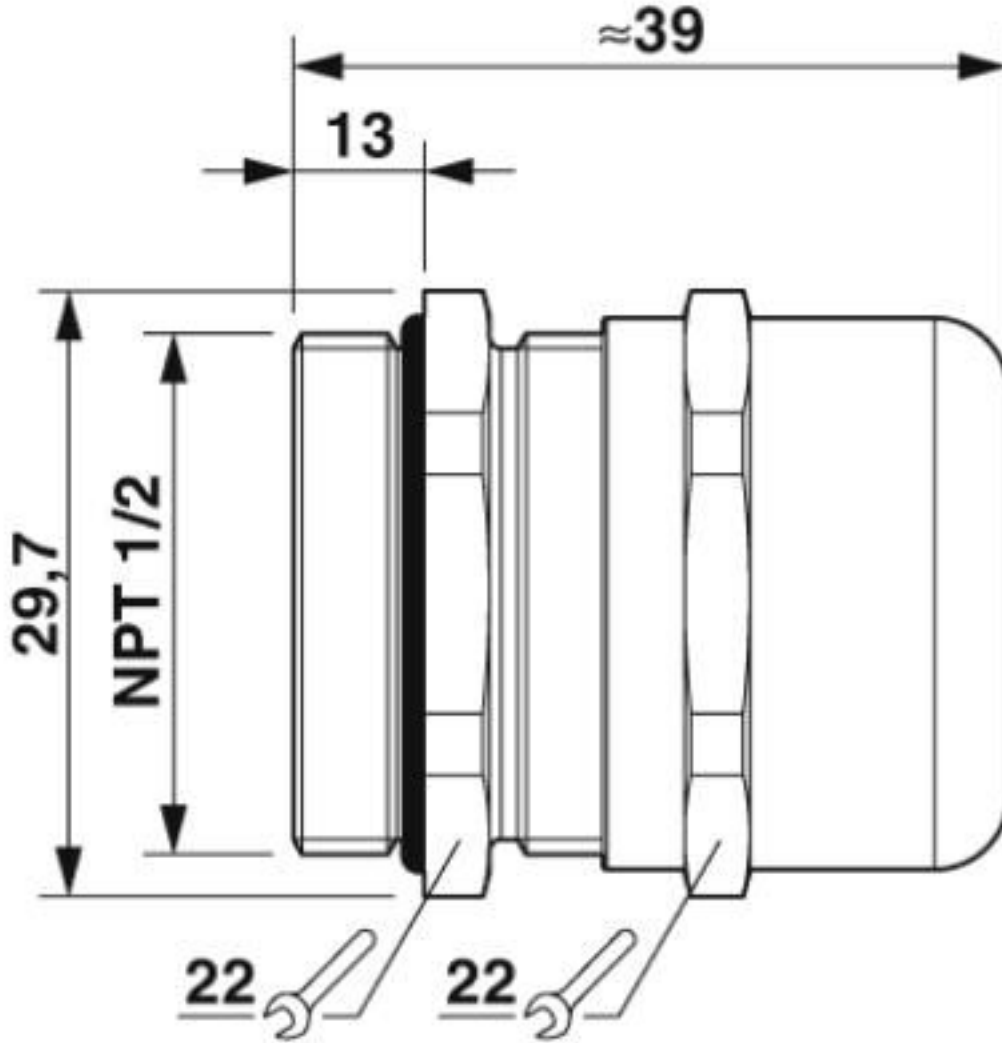
### Environmental Product Compliance

REACH SVHC	Lead 7439-92-1
China RoHS	Environmentally Friendly Use Period = 50 years
	For details about hazardous substances go to tab "Downloads", Category "Manufacturer's declaration"

## Drawings

# Cable gland - G-INS-NPT1/2-S68L-NNES-S - 1411183

Dimensional drawing



Dimensional drawing

## Classifications

eCl@ss

eCl@ss 10.0.1	27144432
eCl@ss 4.0	27081000
eCl@ss 4.1	27081000
eCl@ss 5.0	27149100
eCl@ss 5.1	27081000

# Cable gland - G-INS-NPT1/2-S68L-NNES-S - 1411183

## Classifications

### eCl@ss

eCl@ss 6.0	27149100
eCl@ss 7.0	27149109
eCl@ss 8.0	27149109
eCl@ss 9.0	27144432

### ETIM

ETIM 4.0	EC000441
ETIM 5.0	EC000441
ETIM 6.0	EC000441
ETIM 7.0	EC000441

### UNSPSC

UNSPSC 13.2	39121311
UNSPSC 18.0	39121311
UNSPSC 19.0	39121311
UNSPSC 20.0	39121311
UNSPSC 21.0	39121311

## Approvals

### Approvals

#### Approvals

UL Listed / cUL Listed / cULus Listed

#### Ex Approvals

### Approval details

UL Listed		<a href="http://database.ul.com/cgi-bin/XYV/template/LISEXT/1FRAME/index.htm">http://database.ul.com/cgi-bin/XYV/template/LISEXT/1FRAME/index.htm</a>	E199260
-----------	--	---	---------

cUL Listed		<a href="http://database.ul.com/cgi-bin/XYV/template/LISEXT/1FRAME/index.htm">http://database.ul.com/cgi-bin/XYV/template/LISEXT/1FRAME/index.htm</a>	E199260
------------	--	---	---------

## Cable gland - G-INS-NPT1/2-S68L-NNES-S - 1411183

### Approvals

cULus Listed



### Accessories

#### Accessories

##### Flat nut

Counter nut - A-INL-NPT1/2-N-S - 1416010



Counter nut, material: Nickel-plated brass, for threads 1/2 inch NPT, color: silver

---

### Sealing plugs

Closing cap - SEALING PLUG 12X22 RD - 1400260



Closing cap, material: PA, color: red