

## Cable gland - G-INS-PG48-L68N-NNES-S - 1411181


Please be informed that the data shown in this PDF Document is generated from our Online Catalog. Please find the complete data in the user's documentation. Our General Terms of Use for Downloads are valid (<http://phoenixcontact.com/download>)



Cable gland, cable gland material: Nickel-plated brass, external cable diameter 34 mm ... 44 mm, shielding: no, connecting thread: Pg48, color: silver, with O-ring



### Key Commercial Data

Packing unit	1 pc
GTIN	 4 046356 923132
GTIN	4046356923132
Weight per Piece (excluding packing)	360.000 g
Custom tariff number	74199990
Country of origin	Turkey

### Technical data

#### Dimensions

Length	63 mm
Wrench size, union nut	64 mm
Wrench size, support	64 mm
Hexagon angular dimension	70 mm
Length of the connecting thread	14 mm
Feed-through hole diameter	59.4 mm ... 59.8 mm
External cable diameter	34 mm ... 44 mm
	44 mm ... 48 mm (for UL 514 B)

#### Ambient conditions

Degree of protection (IP)	IP68 (5 bar, 30 min.)
Ambient temperature (operation)	-40 °C ... 100 °C (static)

# Cable gland - G-INS-PG48-L68N-NNES-S - 1411181

## Technical data

### General

No. of conductors	1
Cable gland material	Nickel-plated brass
Material, insert	Polyamide 6
Cable seal material	CR
O-ring material	Perbunan
Shielded	no
Thread type on connection side	Pg48
Torque	50 Nm ± (2 Nm)
Color	silver
Assembly instructions	1) Mount screw connection support in the housing using the correct torque 2) Insert cable 3) Tighten union nut using the correct torque
Manufacturer	BIMED
Manufacturer Designation	BSBC-10

### Standards and Regulations

Halogen-free	no
--------------	----

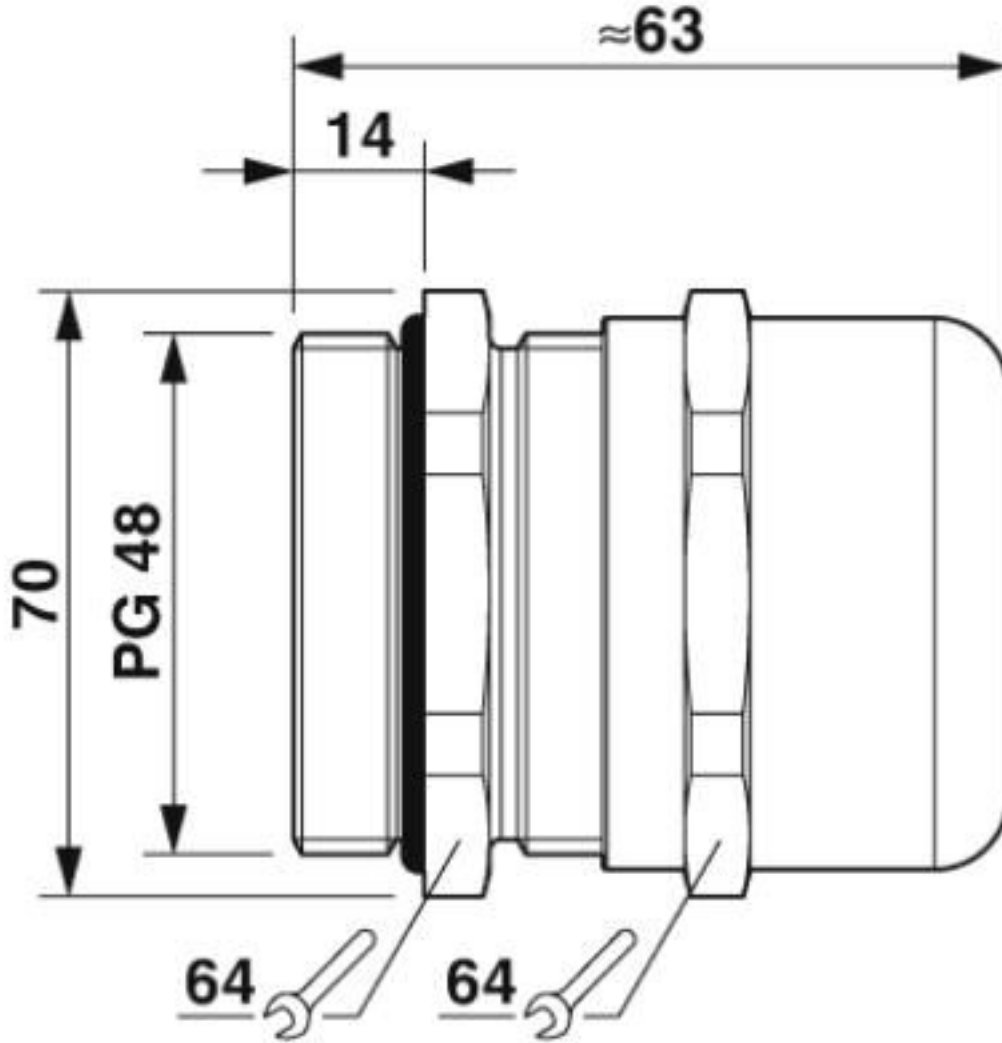
### Environmental Product Compliance

REACH SVHC	Lead 7439-92-1
China RoHS	Environmentally Friendly Use Period = 50 years
	For details about hazardous substances go to tab "Downloads", Category "Manufacturer's declaration"

## Drawings

# Cable gland - G-INS-PG48-L68N-NNES-S - 1411181

Dimensional drawing



Dimensional drawing

## Classifications

eCl@ss

eCl@ss 10.0.1	27144432
eCl@ss 4.0	27081000
eCl@ss 4.1	27081000
eCl@ss 5.0	27149100
eCl@ss 5.1	27081000

# Cable gland - G-INS-PG48-L68N-NNES-S - 1411181

## Classifications

### eCl@ss

eCl@ss 6.0	27149100
eCl@ss 7.0	27149109
eCl@ss 8.0	27149109
eCl@ss 9.0	27144432

### ETIM

ETIM 4.0	EC000441
ETIM 5.0	EC000441
ETIM 6.0	EC000441
ETIM 7.0	EC000441

### UNSPSC

UNSPSC 13.2	39121311
UNSPSC 18.0	39121311
UNSPSC 19.0	39121311
UNSPSC 20.0	39121311
UNSPSC 21.0	39121311

## Approvals

### Approvals

#### Approvals

UL Listed / cUL Listed / cULus Listed

#### Ex Approvals

### Approval details

UL Listed		<a href="http://database.ul.com/cgi-bin/XYV/template/LISEXT/1FRAME/index.htm">http://database.ul.com/cgi-bin/XYV/template/LISEXT/1FRAME/index.htm</a>	E199260
-----------	--	---	---------

cUL Listed		<a href="http://database.ul.com/cgi-bin/XYV/template/LISEXT/1FRAME/index.htm">http://database.ul.com/cgi-bin/XYV/template/LISEXT/1FRAME/index.htm</a>	E199260
------------	--	---	---------

## Cable gland - G-INS-PG48-L68N-NNES-S - 1411181

### Approvals

cULus Listed



### Accessories

#### Accessories

##### Flat nut

Counter nut - A-INL-PG48-N-S - 1411266



Counter nut, material: Brass, nickel-plated, for threads Pg48, color: silver

---

### Sealing plugs

Closing cap - SEALING PLUG 35X35 RD - 1421865



Closing cap, material: PA, color: red