

## Cable gland - G-INS-PG16-S68N-NNES-S - 1411174


Please be informed that the data shown in this PDF Document is generated from our Online Catalog. Please find the complete data in the user's documentation. Our General Terms of Use for Downloads are valid (<http://phoenixcontact.com/download>)



Cable gland, cable gland material: Nickel-plated brass, external cable diameter 10 mm ... 14 mm, shielding: no, connecting thread: Pg16, color: silver, with O-ring



### Key Commercial Data

|                                      |   |
|--------------------------------------|---|
| Packing unit                         | 1 pc  |
| Minimum order quantity               | 5 pc  |
| GTIN                                 | <br>4 046356 923088 |
| GTIN                                 | 4046356923088   |
| Weight per Piece (excluding packing) | 36.000 g  |
| Custom tariff number                 | 74199990  |
| Country of origin                    | Turkey  |

### Technical data

#### Dimensions

|                                 |                                |
|---------------------------------|--------------------------------|
| Length                          | 33 mm                          |
| Wrench size, union nut          | 24 mm                          |
| Wrench size, support            | 24 mm                          |
| Hexagon angular dimension       | 26.8 mm                        |
| Length of the connecting thread | 6.5 mm                         |
| Feed-through hole diameter      | 22.6 mm ... 22.8 mm            |
| External cable diameter         | 10 mm ... 14 mm                |
|                                 | 10 mm ... 14 mm (for UL 514 B) |

#### Ambient conditions

|                           |                                 |
|---------------------------|---------------------------------|
| Degree of protection (IP) | IP69 (DIN EN 60529 / IEC 60529) |
|---------------------------|---------------------------------|

# Cable gland - G-INS-PG16-S68N-NNES-S - 1411174

## Technical data

### Ambient conditions

|                                 |                            |
|---------------------------------|----------------------------|
|                                 | IP68 (5 bar, 30 min.)      |
| Ambient temperature (operation) | -40 °C ... 100 °C (static) |

### General

|                                |  |
|--------------------------------|--|
| No. of conductors              | 1  |
| Cable gland material           | Nickel-plated brass  |
| Material, insert               | Polyamide 6  |
| Cable seal material            | CR   |
| O-ring material                | Perbunan   |
| Shielded                       | no   |
| Thread type on connection side | Pg16   |
| Torque                         | 11 Nm ± (1 Nm)   |
| Color                          | silver   |
| Assembly instructions          | 1) Mount screw connection support in the housing using the correct torque<br>2) Insert cable 3) Tighten union nut using the correct torque |
| Manufacturer                   | BIMED  |
| Manufacturer Designation       | BSBC-05  |

### Standards and Regulations

|              |    |
|--------------|----|
| Halogen-free | no |
|--------------|----|

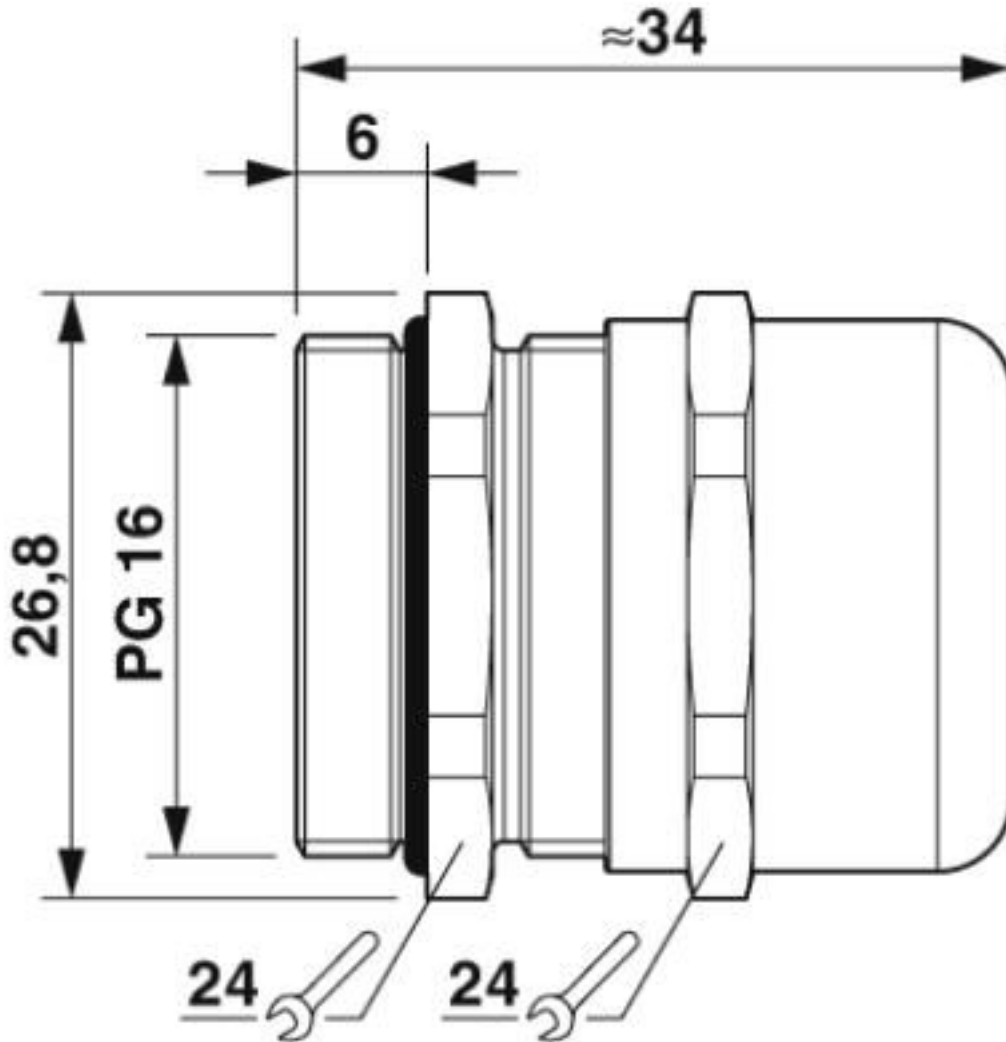
### Environmental Product Compliance

|            |   |
|------------|---|
| REACH SVHC | Lead 7439-92-1  |
| China RoHS | Environmentally Friendly Use Period = 50 years  |
|            | For details about hazardous substances go to tab "Downloads", Category "Manufacturer's declaration" |

## Drawings

# Cable gland - G-INS-PG16-S68N-NNES-S - 1411174

Dimensional drawing



Dimensional drawing

## Classifications

eCl@ss

|               |          |
|---------------|----------|
| eCl@ss 10.0.1 | 27144432 |
| eCl@ss 4.0    | 27081000 |
| eCl@ss 4.1    | 27081000 |
| eCl@ss 5.0    | 27149100 |
| eCl@ss 5.1    | 27081000 |

# Cable gland - G-INS-PG16-S68N-NNES-S - 1411174

## Classifications

### eCl@ss

|            |          |
|------------|----------|
| eCl@ss 6.0 | 27149100 |
| eCl@ss 7.0 | 27149109 |
| eCl@ss 8.0 | 27149109 |
| eCl@ss 9.0 | 27144432 |

### ETIM

|          |          |
|----------|----------|
| ETIM 4.0 | EC000441 |
| ETIM 5.0 | EC000441 |
| ETIM 6.0 | EC000441 |
| ETIM 7.0 | EC000441 |

### UNSPSC

|             |          |
|-------------|----------|
| UNSPSC 13.2 | 39121311 |
| UNSPSC 18.0 | 39121311 |
| UNSPSC 19.0 | 39121311 |
| UNSPSC 20.0 | 39121311 |
| UNSPSC 21.0 | 39121311 |

## Approvals

### Approvals

#### Approvals

UL Listed / cUL Listed / cULus Listed

#### Ex Approvals

### Approval details

|           |  |   |         |
|-----------|--|---|---------|
| UL Listed |  | <a href="http://database.ul.com/cgi-bin/XYV/template/LISEXT/1FRAME/index.htm">http://database.ul.com/cgi-bin/XYV/template/LISEXT/1FRAME/index.htm</a> | E199260 |
|-----------|--|---|---------|

|            |  |   |         |
|------------|--|---|---------|
| cUL Listed |  | <a href="http://database.ul.com/cgi-bin/XYV/template/LISEXT/1FRAME/index.htm">http://database.ul.com/cgi-bin/XYV/template/LISEXT/1FRAME/index.htm</a> | E199260 |
|------------|--|---|---------|

## Cable gland - G-INS-PG16-S68N-NNES-S - 1411174

### Approvals

cULus Listed



### Accessories

#### Accessories

##### Flat nut

Counter nut - A-INL-PG16-N-S - 1411260



Counter nut, material: Brass, nickel-plated, for threads Pg16, color: silver

---

### Sealing plugs

Closing cap - SEALING PLUG 12X22 RD - 1400260



Closing cap, material: PA, color: red