

## Cable gland - G-INS-PG9-S68N-NNES-S - 1411171


Please be informed that the data shown in this PDF Document is generated from our Online Catalog. Please find the complete data in the user's documentation. Our General Terms of Use for Downloads are valid (<http://phoenixcontact.com/download>)



Cable gland, cable gland material: Nickel-plated brass, external cable diameter 4 mm ... 8 mm, shielding: no, connecting thread: Pg9, color: silver, with O-ring



### Key Commercial Data

Packing unit	1 pc
Minimum order quantity	10 pc
GTIN	 4 046356 923057
GTIN	4046356923057
Weight per Piece (excluding packing)	16.000 g
Custom tariff number	74199990
Country of origin	Turkey

### Technical data

#### Dimensions

Length	28 mm
Wrench size, union nut	17 mm
Wrench size, support	17 mm
Hexagon angular dimension	18.9 mm
Length of the connecting thread	6 mm
Feed-through hole diameter	15.3 mm ... 15.4 mm
External cable diameter	4 mm ... 8 mm
	4 mm ... 8 mm (for UL 514 B)

#### Ambient conditions

Degree of protection (IP)	IP69 (DIN EN 60529 / IEC 60529)
---------------------------	---------------------------------

# Cable gland - G-INS-PG9-S68N-NNES-S - 1411171

## Technical data

### Ambient conditions

	IP68 (5 bar, 30 min.)
Degree of protection (NEMA)	4X
Ambient temperature (operation)	-40 °C ... 100 °C (static)

### General

No. of conductors	1
Cable gland material	Nickel-plated brass
Material, insert	Polyamide 6
Cable seal material	CR
O-ring material	Perbunan
Shielded	no
Thread type on connection side	Pg9
Torque	6 Nm ± ()
Color	silver
Assembly instructions	1) Mount screw connection support in the housing using the correct torque 2) Insert cable 3) Tighten union nut using the correct torque
Manufacturer	BIMED
Manufacturer Designation	BSBC-02

### Standards and Regulations

Halogen-free	no
--------------	----

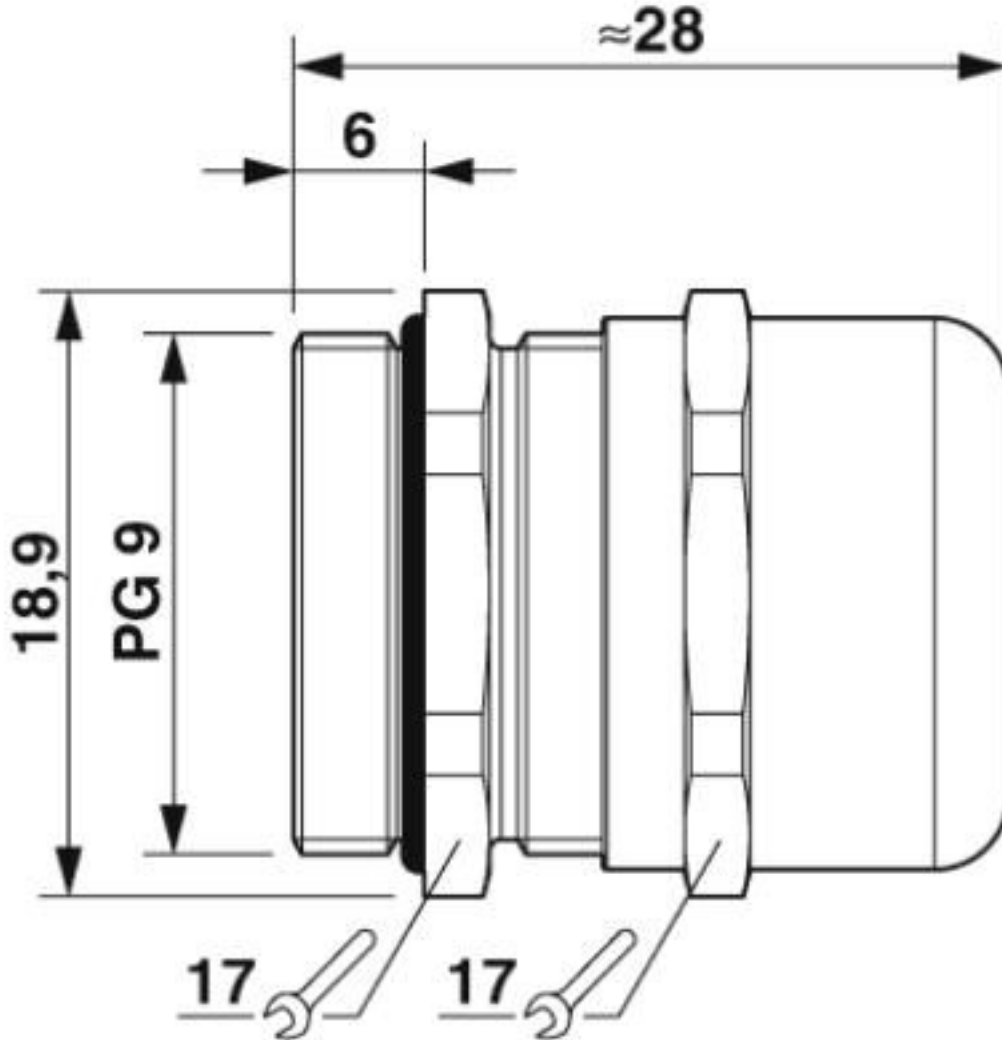
### Environmental Product Compliance

REACH SVHC	Lead 7439-92-1
China RoHS	Environmentally Friendly Use Period = 50 years
	For details about hazardous substances go to tab "Downloads", Category "Manufacturer's declaration"

## Drawings

# Cable gland - G-INS-PG9-S68N-NNES-S - 1411171

Dimensional drawing



Dimensional drawing

## Classifications

eCl@ss

eCl@ss 10.0.1	27144432
eCl@ss 4.0	27081000
eCl@ss 4.1	27081000
eCl@ss 5.0	27149100
eCl@ss 5.1	27081000

# Cable gland - G-INS-PG9-S68N-NNES-S - 1411171

## Classifications

### eCl@ss

eCl@ss 6.0	27149100
eCl@ss 7.0	27149109
eCl@ss 8.0	27149109
eCl@ss 9.0	27144432

### ETIM

ETIM 4.0	EC000441
ETIM 5.0	EC000441
ETIM 6.0	EC000441
ETIM 7.0	EC000441

### UNSPSC

UNSPSC 13.2	39121311
UNSPSC 18.0	39121311
UNSPSC 19.0	39121311
UNSPSC 20.0	39121311
UNSPSC 21.0	39121311

## Approvals

### Approvals

#### Approvals

UL Recognized / cUL Recognized / cULus Recognized

#### Ex Approvals

### Approval details

UL Recognized		<a href="http://database.ul.com/cgi-bin/XYV/template/LISEXT/1FRAME/index.htm">http://database.ul.com/cgi-bin/XYV/template/LISEXT/1FRAME/index.htm</a>	E199260
---------------	--	---	---------

cUL Recognized		<a href="http://database.ul.com/cgi-bin/XYV/template/LISEXT/1FRAME/index.htm">http://database.ul.com/cgi-bin/XYV/template/LISEXT/1FRAME/index.htm</a>	E199260
----------------	--	---	---------

## Cable gland - G-INS-PG9-S68N-NNES-S - 1411171

### Approvals

cULus Recognized



### Accessories

#### Accessories

##### Flat nut

Counter nut - A-INL-PG9-N-S - 1411256



Counter nut, material: Brass, nickel-plated, for threads Pg9, color: silver

---

### Sealing plugs

Closing cap - SEALING PLUG 6X16 RD - 1400254



Closing cap, material: PA, color: red