

Cable gland - G-INS-M32-M68N-NNES-S - 1411166


Please be informed that the data shown in this PDF Document is generated from our Online Catalog. Please find the complete data in the user's documentation. Our General Terms of Use for Downloads are valid (<http://phoenixcontact.com/download>)



Cable gland, cable gland material: Nickel-plated brass, external cable diameter 15 mm ... 21 mm, shielding: no, connecting thread: M32 x 1.5, color: silver, with O-ring



Key Commercial Data

Packing unit	1 pc
Minimum order quantity	5 pc
GTIN	 4 046356 923002
GTIN	4046356923002
Weight per Piece (excluding packing)	84.000 g
Custom tariff number	74199990
Country of origin	Turkey

Technical data

Dimensions

Length	43 mm
Wrench size, union nut	34 mm
Wrench size, support	34 mm
Hexagon angular dimension	37 mm
Length of the connecting thread	8 mm
Feed-through hole diameter	32.1 mm ... 32.3 mm
External cable diameter	15 mm ... 21 mm
	17 mm ... 21 mm (for UL 514 B)

Ambient conditions

Degree of protection (IP)	IP69 (DIN EN 60529 / IEC 60529)
---------------------------	---------------------------------

Cable gland - G-INS-M32-M68N-NNES-S - 1411166

Technical data

Ambient conditions

	IP68 (5 bar, 30 min.)
	IP66
Degree of protection (NEMA)	4X
Ambient temperature (operation)	-40 °C ... 100 °C (static)

General

No. of conductors	1
Cable gland material	Nickel-plated brass
Material, insert	Polyamide 6
Cable seal material	CR
O-ring material	Perbunan
Shielded	no
Thread type on connection side	M32 x 1.5
Torque	15 Nm ± (1 Nm)
Color	silver
Impact category	6
Execution of the strain relief	A
Assembly instructions	1) Mount screw connection support in the housing using the correct torque 2) Insert cable 3) Tighten union nut using the correct torque
Manufacturer	BIMED
Manufacturer Designation	BMBC-E4

Standards and Regulations

Halogen-free	no
--------------	----

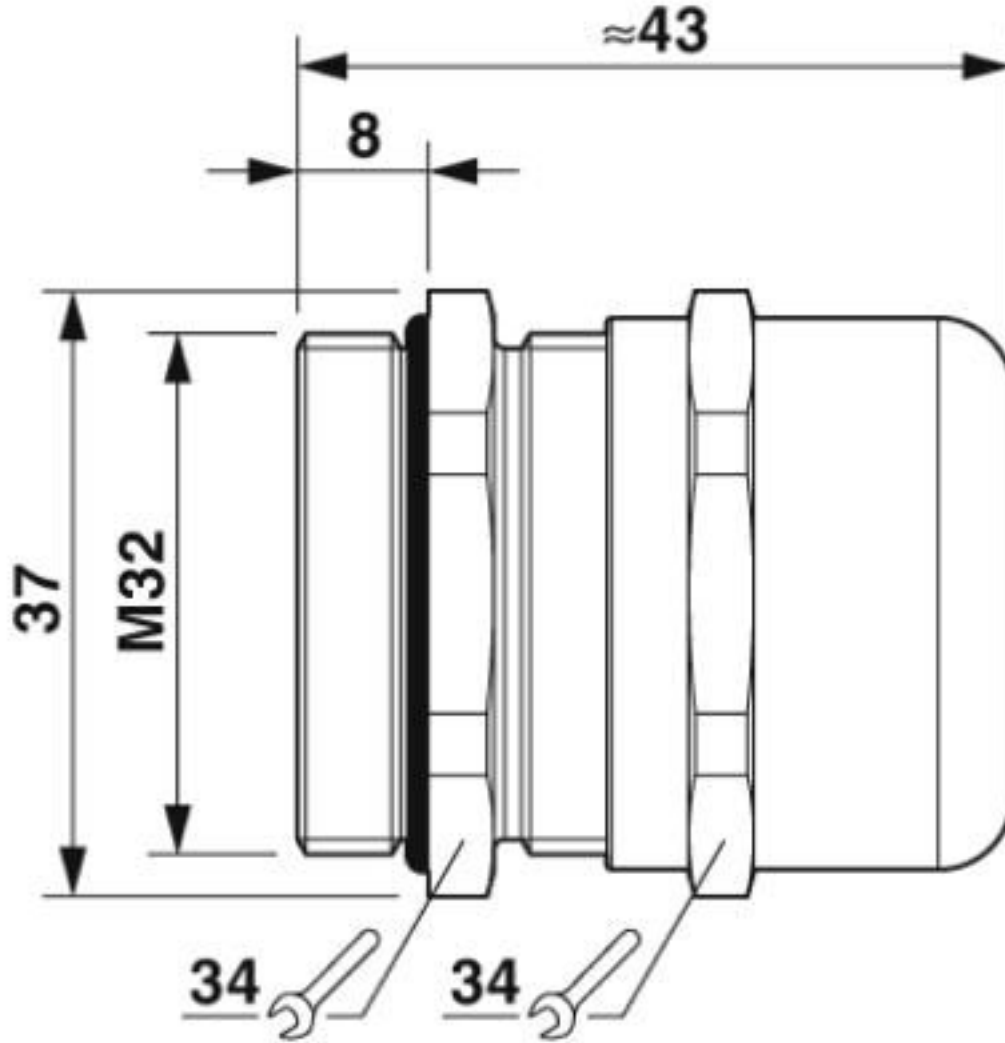
Environmental Product Compliance

REACH SVHC	Lead 7439-92-1
China RoHS	Environmentally Friendly Use Period = 50 years
	For details about hazardous substances go to tab "Downloads", Category "Manufacturer's declaration"

Drawings

Cable gland - G-INS-M32-M68N-NNES-S - 1411166

Dimensional drawing



Dimensional drawing

Classifications

eCl@ss

eCl@ss 10.0.1	27144432
eCl@ss 4.0	27081000
eCl@ss 4.1	27081000
eCl@ss 5.0	27149100
eCl@ss 5.1	27081000

Cable gland - G-INS-M32-M68N-NNES-S - 1411166

Classifications

eCl@ss

eCl@ss 6.0	27149100
eCl@ss 7.0	27149109
eCl@ss 8.0	27149109
eCl@ss 9.0	27144432

ETIM

ETIM 4.0	EC000441
ETIM 5.0	EC000441
ETIM 6.0	EC000441
ETIM 7.0	EC000441

UNSPSC

UNSPSC 13.2	39121311
UNSPSC 18.0	39121311
UNSPSC 19.0	39121311
UNSPSC 20.0	39121311
UNSPSC 21.0	39121311

Approvals

Approvals

Approvals

UL Listed / cUL Listed / cULus Listed

Ex Approvals

Approval details

UL Listed		http://database.ul.com/cgi-bin/XYV/template/LISEXT/1FRAME/index.htm	E199260
-----------	---	---	---------

cUL Listed		http://database.ul.com/cgi-bin/XYV/template/LISEXT/1FRAME/index.htm	E199260
------------	---	---	---------

Cable gland - G-INS-M32-M68N-NNES-S - 1411166

Approvals

cULus Listed



Accessories

Accessories

Flat nut

Counter nut - A-INL-M32-N-S - 1411244



Counter nut, material: Brass, nickel-plated, for threads M32 x 1.5, color: silver

Sealing plugs

Closing cap - SEALING PLUG 17X17 RD - 1421861



Closing cap, material: PA, color: red