

Cable gland - G-INS-M16-S68N-NNES-S - 1411162


Please be informed that the data shown in this PDF Document is generated from our Online Catalog. Please find the complete data in the user's documentation. Our General Terms of Use for Downloads are valid (<http://phoenixcontact.com/download>)



Cable gland, cable gland material: Nickel-plated brass, external cable diameter 5 mm ... 10 mm, shielding: no, connecting thread: M16 x 1.5, color: silver, with O-ring



Key Commercial Data

| | |
|--------------------------------------|---|
| Packing unit | 1 pc |
| Minimum order quantity | 10 pc |
| GTIN |  4 046356 922975 |
| GTIN | 4046356922975 |
| Weight per Piece (excluding packing) | 28.000 g |
| Custom tariff number | 74199990 |
| Country of origin | Turkey |

Technical data

Dimensions

| | |
|---------------------------------|-------------------------------|
| Length | 34 mm |
| Wrench size, union nut | 20 mm |
| Wrench size, support | 20 mm |
| Hexagon angular dimension | 22 mm |
| Length of the connecting thread | 7 mm |
| Feed-through hole diameter | 16.1 mm ... 16.3 mm |
| External cable diameter | 5 mm ... 10 mm |
| | 6 mm ... 10 mm (for UL 514 B) |

Ambient conditions

| | |
|---------------------------|---------------------------------|
| Degree of protection (IP) | IP69 (DIN EN 60529 / IEC 60529) |
|---------------------------|---------------------------------|

Cable gland - G-INS-M16-S68N-NNES-S - 1411162

Technical data

Ambient conditions

| | |
|---------------------------------|----------------------------|
| | IP68 (5 bar, 30 min.) |
| | IP66 |
| Degree of protection (NEMA) | 4X |
| Ambient temperature (operation) | -40 °C ... 100 °C (static) |

General

| | |
|--------------------------------|--|
| No. of conductors | 1 |
| Cable gland material | Nickel-plated brass |
| Material, insert | Polyamide 6 |
| Cable seal material | CR |
| O-ring material | Perbunan |
| Shielded | no |
| Thread type on connection side | M16 x 1.5 |
| Torque | 9 Nm ± () |
| Color | silver |
| Impact category | 6 |
| Execution of the strain relief | A |
| Assembly instructions | 1) Mount screw connection support in the housing using the correct torque 2) Insert cable 3) Tighten union nut using the correct torque |
| Manufacturer | BIMED |
| Manufacturer Designation | BMBC-E1 |

Standards and Regulations

| | |
|--------------|----|
| Halogen-free | no |
|--------------|----|

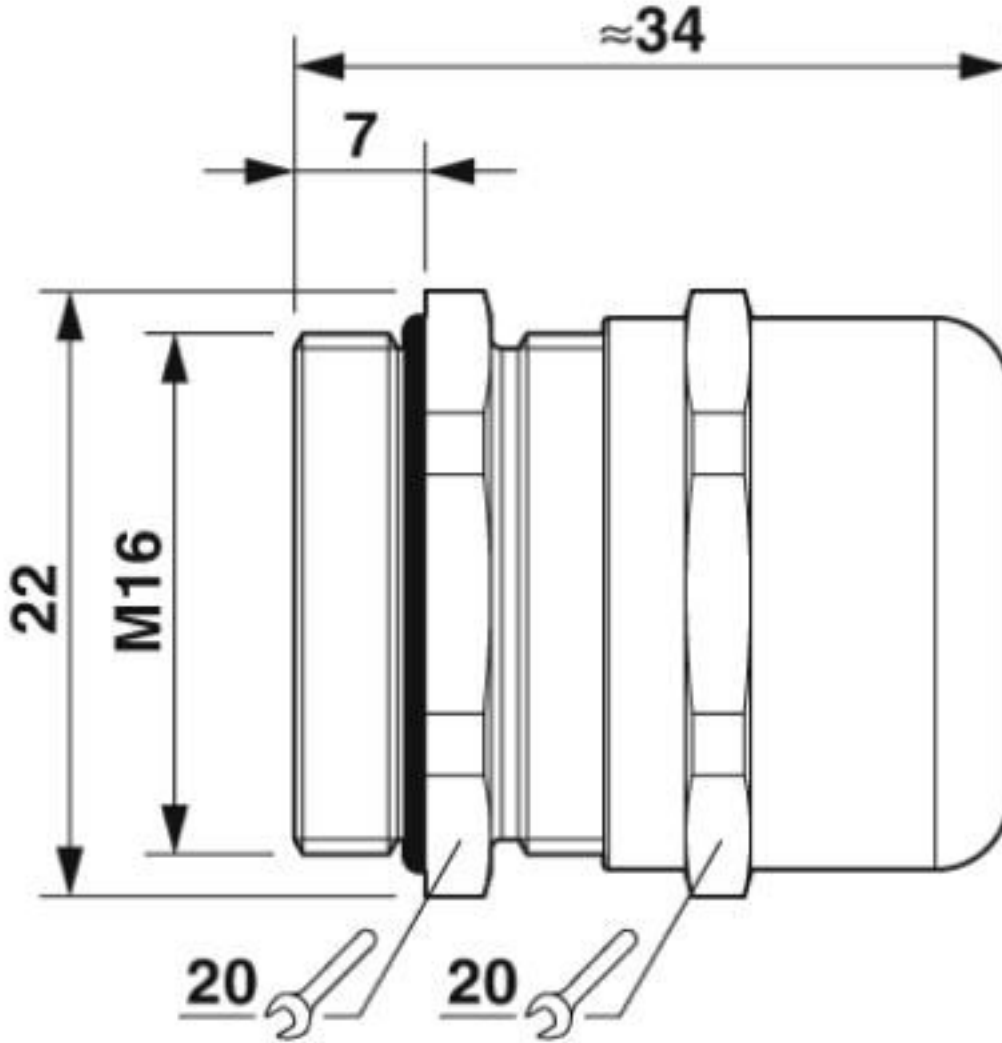
Environmental Product Compliance

| | |
|------------|---|
| REACH SVHC | Lead 7439-92-1 |
| China RoHS | Environmentally Friendly Use Period = 50 years |
| | For details about hazardous substances go to tab "Downloads", Category "Manufacturer's declaration" |

Drawings

Cable gland - G-INS-M16-S68N-NNES-S - 1411162

Dimensional drawing



Dimensional drawing

Classifications

eCl@ss

| | |
|---------------|----------|
| eCl@ss 10.0.1 | 27144432 |
| eCl@ss 4.0 | 27081000 |
| eCl@ss 4.1 | 27081000 |
| eCl@ss 5.0 | 27149100 |
| eCl@ss 5.1 | 27081000 |

Cable gland - G-INS-M16-S68N-NNES-S - 1411162

Classifications

eCl@ss

| | |
|------------|----------|
| eCl@ss 6.0 | 27149100 |
| eCl@ss 7.0 | 27149109 |
| eCl@ss 8.0 | 27149109 |
| eCl@ss 9.0 | 27144432 |

ETIM

| | |
|----------|----------|
| ETIM 4.0 | EC000441 |
| ETIM 5.0 | EC000441 |
| ETIM 6.0 | EC000441 |
| ETIM 7.0 | EC000441 |

UNSPSC

| | |
|-------------|----------|
| UNSPSC 13.2 | 39121311 |
| UNSPSC 18.0 | 39121311 |
| UNSPSC 19.0 | 39121311 |
| UNSPSC 20.0 | 39121311 |
| UNSPSC 21.0 | 39121311 |

Approvals

Approvals

Approvals

UL Recognized / cUL Recognized / cULus Recognized

Ex Approvals

Approval details

| | | | |
|---------------|--|---|---------|
| UL Recognized | | http://database.ul.com/cgi-bin/XYV/template/LISEXT/1FRAME/index.htm | E199260 |
|---------------|--|---|---------|

| | | | |
|----------------|--|---|---------|
| cUL Recognized | | http://database.ul.com/cgi-bin/XYV/template/LISEXT/1FRAME/index.htm | E199260 |
|----------------|--|---|---------|

Cable gland - G-INS-M16-S68N-NNES-S - 1411162

Approvals

cULus Recognized



Accessories

Accessories

Flat nut

Counter nut - A-INL-M16-N-S - 1411241



Counter nut, material: Brass, nickel-plated, for threads M16 x 1.5, color: silver

Sealing plugs

Closing cap - SEALING PLUG 8X16 RD - 1400257



Closing cap, material: PA, color: red