

## Cable gland - G-INS-PG11-S68N-PNES-GY - 1411142

Please be informed that the data shown in this PDF Document is generated from our Online Catalog. Please find the complete data in the user's documentation. Our General Terms of Use for Downloads are valid (<http://phoenixcontact.com/download>)




Cable gland, cable gland material: PA, external cable diameter 5 mm ... 10 mm, shielding: no, connecting thread: Pg11, color: silver-gray RAL 7001

### Your advantages

- Plastic material conforms to UL 746C f1

### Key Commercial Data

Packing unit	1 pc
Minimum order quantity	5 pc
GTIN	 4 046356 922777
GTIN	4046356922777
Weight per Piece (excluding packing)	8.000 g
Custom tariff number	39269097
Country of origin	Turkey

### Technical data

#### Dimensions

Length	38 mm
Wrench size, union nut	22 mm
Wrench size, support	22 mm
Hexagon angular dimension	25 mm
Length of the connecting thread	8 mm
Feed-through hole diameter	18.7 mm ... 18.8 mm
External cable diameter	5 mm ... 10 mm

## Cable gland - G-INS-PG11-S68N-PNES-GY - 1411142

### Technical data

#### Ambient conditions

Degree of protection (IP)	IP68 (5 bar / 0.5 h)
Ambient temperature (operation)	-40 °C ... 100 °C (static)

#### General

No. of conductors	1
Cable gland material	PA
Cable seal material	CR
Flammability rating according to UL 94	V2
	V2 (Housing)
Shielded	no
Thread type on connection side	Pg11
Torque	2.5 Nm ± ()
Color	silver-gray RAL 7001
Assembly instructions	1) Mount screw connection support in the housing using the correct torque 2) Insert cable 3) Tighten union nut using the correct torque
Manufacturer	BIMED
Manufacturer Designation	BS-03

#### Standards and Regulations

Halogen-free	no
Connection in acc. with standard	CSA
Flammability rating according to UL 94	V2

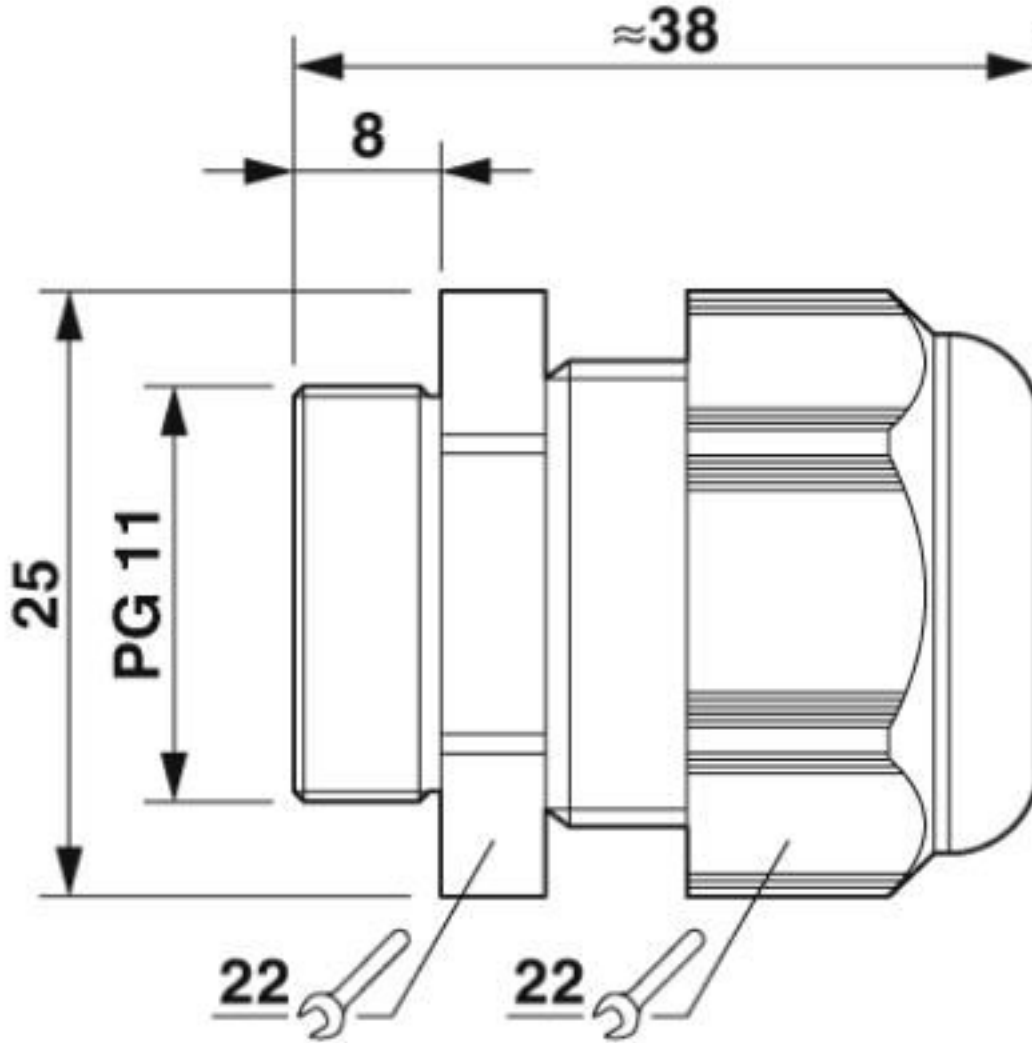
#### Environmental Product Compliance

China RoHS	Environmentally friendly use period: unlimited = EFUP-e
	No hazardous substances above threshold values

### Drawings

# Cable gland - G-INS-PG11-S68N-PNES-GY - 1411142

Dimensional drawing



Dimensional drawing

## Classifications

eCl@ss

eCl@ss 10.0.1	27144432
eCl@ss 4.0	27141200
eCl@ss 4.1	27141200
eCl@ss 5.0	27149100
eCl@ss 5.1	27149100

# Cable gland - G-INS-PG11-S68N-PNES-GY - 1411142

## Classifications

### eCl@ss

eCl@ss 6.0	27149100
eCl@ss 7.0	27149109
eCl@ss 8.0	27149109
eCl@ss 9.0	27144432

### ETIM

ETIM 4.0	EC000441
ETIM 5.0	EC000441
ETIM 6.0	EC000441
ETIM 7.0	EC000441

### UNSPSC

UNSPSC 13.2	39121311
UNSPSC 18.0	39121311
UNSPSC 19.0	39121311
UNSPSC 20.0	39121311
UNSPSC 21.0	39121311

## Approvals

### Approvals

#### Approvals

CSA / UL Recognized / cUL Recognized / cULus Recognized

#### Ex Approvals

### Approval details

CSA		<a href="http://www.csagroup.org/services-industries/product-listing/">http://www.csagroup.org/services-industries/product-listing/</a>	115116
-----	--	---	--------

UL Recognized		<a href="http://database.ul.com/cgi-bin/XYV/template/LISEXT/1FRAME/index.htm">http://database.ul.com/cgi-bin/XYV/template/LISEXT/1FRAME/index.htm</a>	E199260
---------------	--	---	---------

## Cable gland - G-INS-PG11-S68N-PNES-GY - 1411142

### Approvals

cUL Recognized



<http://database.ul.com/cgi-bin/XYV/template/LISEXT/1FRAME/index.htm>

E199260

cULus Recognized



### Accessories

#### Accessories

##### Flat nut

Counter nut - A-INL-PG11-P-GY - 1411223



Counter nut, material: PA, for threads Pg11, color: silver-gray RAL 7001

##### Sealing plugs

Closing cap - SEALING PLUG 8X16 RD - 1400257



Closing cap, material: PA, color: red