

Cable gland - G-INS-M16-S68N-PNES-BK - 1411132

Please be informed that the data shown in this PDF Document is generated from our Online Catalog. Please find the complete data in the user's documentation. Our General Terms of Use for Downloads are valid (<http://phoenixcontact.com/download>)




Cable gland, cable gland material: PA, external cable diameter 5 mm ... 10 mm, shielding: no, connecting thread: M16 x 1.5, color: jet black RAL 9005

Your advantages

- ✓ Plastic material conforms to UL 746C f1

Key Commercial Data

| | |
|--------------------------------------|---|
| Packing unit | 1 pc |
| Minimum order quantity | 10 pc |
| GTIN |  4 046356 922647 |
| GTIN | 4046356922647 |
| Weight per Piece (excluding packing) | 10.000 g |
| Custom tariff number | 39269097 |
| Country of origin | Turkey |

Technical data

Dimensions

| | |
|---------------------------------|-------------------------------|
| Length | 39 mm |
| Wrench size, union nut | 22 mm |
| Wrench size, support | 22 mm |
| Hexagon angular dimension | 25 mm |
| Length of the connecting thread | 10 mm |
| Feed-through hole diameter | 16.1 mm ... 16.2 mm |
| External cable diameter | 5 mm ... 10 mm |
| | 5 mm ... 10 mm (for UL 514 B) |

Cable gland - G-INS-M16-S68N-PNES-BK - 1411132

Technical data

Ambient conditions

| | |
|---------------------------------|----------------------------|
| Degree of protection (IP) | IP68 (5 bar / 0.5 h) |
| | IP66 |
| Ambient temperature (operation) | -40 °C ... 100 °C (static) |

General

| | |
|--|--|
| No. of conductors | 1 |
| Cable gland material | PA |
| Cable seal material | CR |
| Flammability rating according to UL 94 | V2 |
| Shielded | no |
| Thread type on connection side | M16 x 1.5 |
| Torque | 2.5 Nm ± () |
| Color | jet black RAL 9005 |
| Impact category | 2 |
| Execution of the strain relief | A |
| Assembly instructions | 1) Mount screw connection support in the housing using the correct torque 2) Insert cable 3) Tighten union nut using the correct torque |
| Manufacturer | BIMED |
| Manufacturer Designation | BM-21 |

Standards and Regulations

| | |
|--|-----|
| Halogen-free | no |
| Connection in acc. with standard | CSA |
| Flammability rating according to UL 94 | V2 |

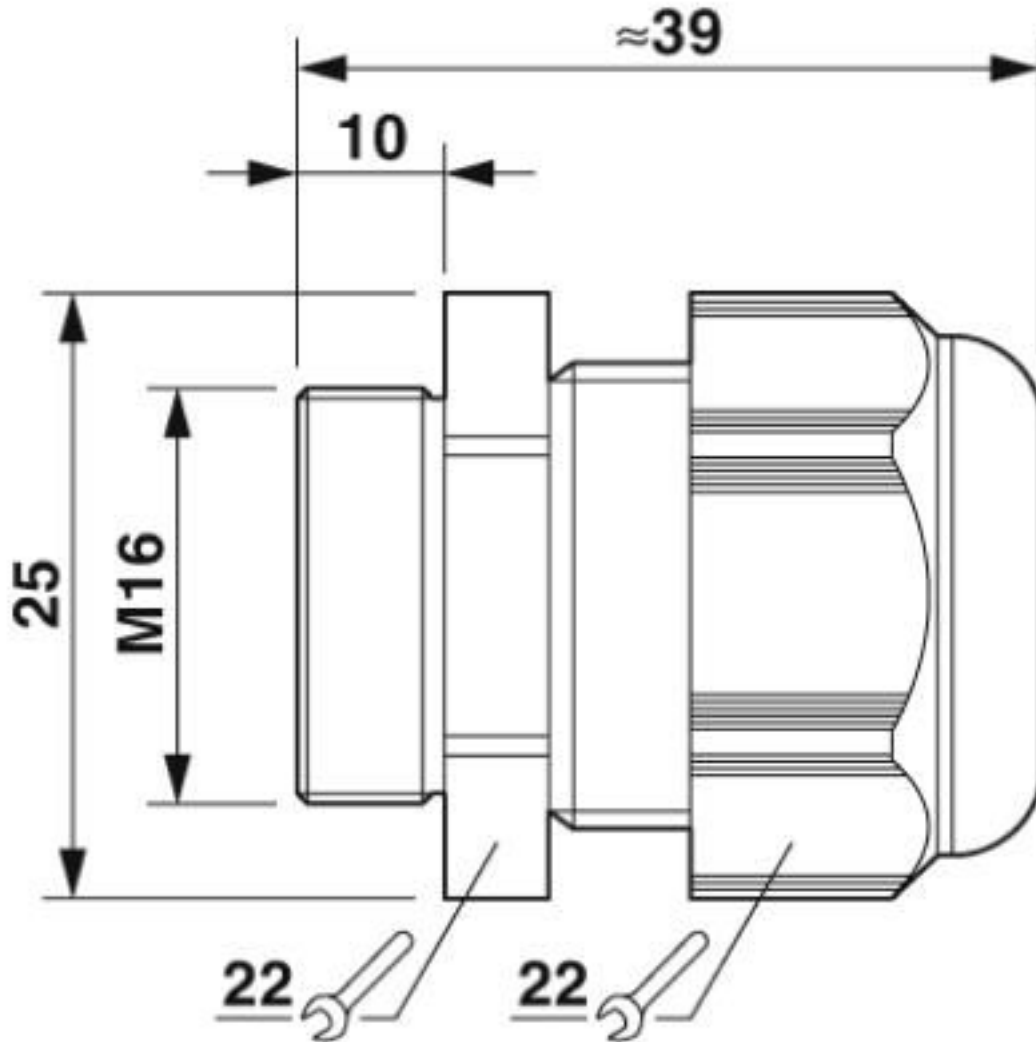
Environmental Product Compliance

| | |
|------------|---|
| China RoHS | Environmentally friendly use period: unlimited = EFUP-e |
| | No hazardous substances above threshold values |

Drawings

Cable gland - G-INS-M16-S68N-PNES-BK - 1411132

Dimensional drawing



Dimensional drawing

Classifications

eCl@ss

| | |
|---------------|----------|
| eCl@ss 10.0.1 | 27144432 |
| eCl@ss 4.0 | 27141200 |
| eCl@ss 4.1 | 27141200 |
| eCl@ss 5.0 | 27149100 |
| eCl@ss 5.1 | 27149100 |

Cable gland - G-INS-M16-S68N-PNES-BK - 1411132

Classifications

eCl@ss

| | |
|------------|----------|
| eCl@ss 6.0 | 27149100 |
| eCl@ss 7.0 | 27149109 |
| eCl@ss 8.0 | 27149109 |
| eCl@ss 9.0 | 27144432 |

ETIM

| | |
|----------|----------|
| ETIM 4.0 | EC000441 |
| ETIM 5.0 | EC000441 |
| ETIM 6.0 | EC000441 |
| ETIM 7.0 | EC000441 |

UNSPSC

| | |
|-------------|----------|
| UNSPSC 13.2 | 39121311 |
| UNSPSC 18.0 | 39121311 |
| UNSPSC 19.0 | 39121311 |
| UNSPSC 20.0 | 39121311 |
| UNSPSC 21.0 | 39121311 |

Approvals

Approvals

Approvals

CSA / UL Recognized / cUL Recognized / VDE Zeichengenehmigung / cULus Recognized

Ex Approvals


Approval details


| | | | |
|-----|--|---|--------|
| CSA | | http://www.csagroup.org/services-industries/product-listing/ | 115116 |
|-----|--|---|--------|


| | | | |
|---------------|--|---|---------|
| UL Recognized | | http://database.ul.com/cgi-bin/XYV/template/LISEXT/1FRAME/index.htm | E199260 |
|---------------|--|---|---------|

Cable gland - G-INS-M16-S68N-PNES-BK - 1411132

Approvals

| | | | |
|----------------|---|---|---------|
| cUL Recognized |  | http://database.ul.com/cgi-bin/XYV/template/LISEXT/1FRAME/index.htm | E199260 |
|----------------|---|---|---------|

| | | | |
|------------------------|---|---|----------|
| VDE Zeichengenehmigung |  | http://www2.vde.com/de/Institut/Online-Service/VDE-gepruefteProdukte/Seiten/Online-Suche.aspx | 40024418 |
|------------------------|---|---|----------|

| | | | |
|------------------|---|--|--|
| cULus Recognized |  | | |
|------------------|---|--|--|

Accessories

Accessories

Flat nut

Counter nut - A-INL-M16-P-BK - 1411214



Counter nut, material: PA, for threads M16 x 1.5, color: jet black RAL 9005

Sealing plugs

Closing cap - SEALING PLUG 8X16 RD - 1400257



Closing cap, material: PA, color: red