

Cable gland - G-ESS-M63-L66L-STES-S - 1411087

Please be informed that the data shown in this PDF Document is generated from our Online Catalog. Please find the complete data in the user's documentation. Our General Terms of Use for Downloads are valid (<http://phoenixcontact.com/download>)



Cable gland, cable gland material: Stainless steel 316L, application: Ex, external cable diameter 47.2 mm ... 56 mm, shielding: no, connecting thread: M63 x 1.5, color: silver


Your advantages

- Weatherproof sealing material

RoHS



Key Commercial Data

Packing unit	1 pc
Minimum order quantity	2 pc
GTIN	 4 046356 922005
GTIN	4046356922005
Custom tariff number	73182900
Country of origin	United Kingdom

Technical data

Dimensions

Length	45 mm
Thread pitch	1.5 mm
Wrench size, union nut	70 mm
Wrench size, support	75 mm
Hexagon angular dimension	82.5 mm
Length of the connecting thread	15 mm
External cable diameter	47.2 mm ... 56 mm
Cable types that can be used	for unarmored cables

Cable gland - G-ESS-M63-L66L-STES-S - 1411087

Technical data

Ambient conditions

Degree of protection (IP)	IP66 (using the corresponding A-SEW-...P-W flat gasket)
	IP67 (using the corresponding A-SEW-...P-W flat gasket)
	IP68 (using the corresponding A-SEW-...P-W flat gasket)
Ambient temperature (operation)	-60 °C ... 130 °C (static)

General

Cable gland material	Stainless steel 316L
Cable seal material	EPDM
Thread type connection side	M63 x 1.5
Color	silver
Impact energy	20.00 J
Assembly instructions	Sealed to IP66/IP67/IP68 thanks to the use of the A-SEW-63-P-W flat gasket (item 1411288)
Standards/specifications	EN 60079-0, -1, -7, -15, -31
	IEC 60079-0, -1, -7, -15, -31
	EN 50262
	BS 6121: Part 1:1989
	IEC 62444
Manufacturer	CMP
Manufacturer product number	63A2F1RA4
Manufacturer Designation	63 A2F S. STEEL GLAND
Suited for EX-applications	yes

Standards and Regulations

Standards/specifications	EN 60079-0, -1, -7, -15, -31
	IEC 60079-0, -1, -7, -15, -31
	EN 50262
	BS 6121: Part 1:1989
	IEC 62444
ATEX	Sira 13ATEX1068X
	Sira 13ATEX4074X
	Ex II 2/3G, II 1D, Ex d IIC Gb, Ex e IIC Gb, Ex nR IIC Gc, Ex ta IIIC Da, Ex IM2 Ex d I Mb, Ex e I Mb
IECEX	IECEX SIR 13.0023X
	Ex d IIC Gb, Ex e IIC Gb, Ex nR IIC Gc, Ex ta IIIC Da, Ex d I Mb, Ex e I Mb

Environmental Product Compliance

REACH SVHC	Lead 7439-92-1
China RoHS	Environmentally friendly use period: unlimited = EFUP-e

Cable gland - G-ESS-M63-L66L-STES-S - 1411087

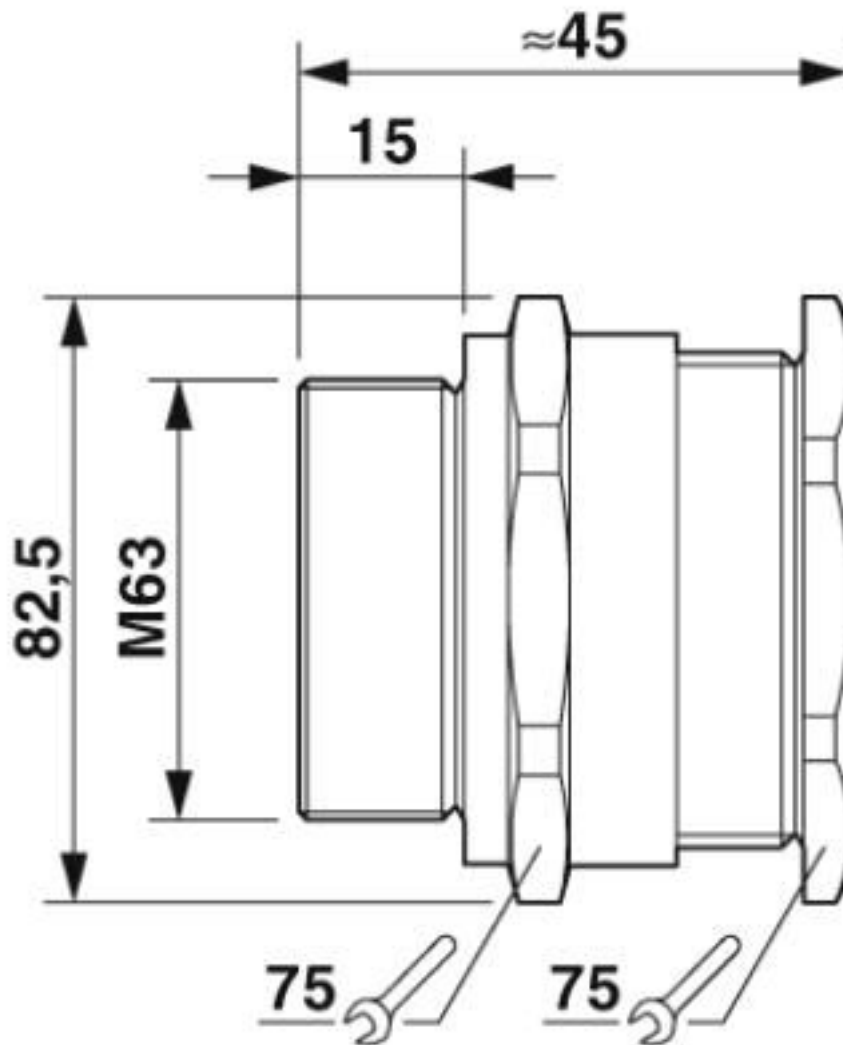
Technical data

Environmental Product Compliance

	No hazardous substances above threshold values
--	--

Drawings

Dimensional drawing



Dimensional drawing

Cable gland - G-ESS-M63-L66L-STES-S - 1411087

Classifications

eCl@ss

eCl@ss 10.0.1	27144432
eCl@ss 4.0	27141200
eCl@ss 4.1	27141200
eCl@ss 5.0	27149100
eCl@ss 5.1	27149100
eCl@ss 6.0	27149100
eCl@ss 7.0	27149109
eCl@ss 8.0	27149109
eCl@ss 9.0	27144432

ETIM

ETIM 4.0	EC000441
ETIM 5.0	EC000441
ETIM 6.0	EC000441
ETIM 7.0	EC000441

UNSPSC

UNSPSC 13.2	39121311
UNSPSC 18.0	39121311
UNSPSC 19.0	39121311
UNSPSC 20.0	39121311
UNSPSC 21.0	39121311

Accessories

Accessories

Flat nut

Counter nut - A-INL-M63-S-S - 1411254

Counter nut, material: Stainless steel 1.4305, for threads M63 x 1.5, color: silver



Seal

Cable gland - G-ESS-M63-L66L-STES-S - 1411087

Accessories

Flat gasket - A-SEW-63-P-W - 1411288

Flat gasket, material: Nylon, for threads M63, color: white



Phoenix Contact 2020 © - all rights reserved
<http://www.phoenixcontact.com>