

## Cable gland - G-ESS-M63-L66L-NTES-S - 1411086

Please be informed that the data shown in this PDF Document is generated from our Online Catalog. Please find the complete data in the user's documentation. Our General Terms of Use for Downloads are valid (<http://phoenixcontact.com/download>)



Cable gland, cable gland material: Nickel-plated brass, application: Ex, external cable diameter 47.2 mm ... 56 mm, shielding: no, connecting thread: M63 x 1.5, color: silver

### Product Description

Cable gland, for unarmored cables


### Your advantages

- Weatherproof sealing material

RoHS



### Key Commercial Data

Packing unit	1 pc
Minimum order quantity	2 pc
GTIN	 4 046356 921992
GTIN	4046356921992
Custom tariff number	74152900
Country of origin	United Kingdom

### Technical data

#### Dimensions

Length	45 mm
Thread pitch	1.5 mm
Wrench size, union nut	70 mm
Wrench size, support	75 mm
Hexagon angular dimension	82.5 mm
Length of the connecting thread	15 mm
External cable diameter	47.2 mm ... 56 mm

# Cable gland - G-ESS-M63-L66L-NTES-S - 1411086

## Technical data

### Dimensions

Cable types that can be used	for unarmored cables
------------------------------	----------------------

### Ambient conditions

Degree of protection (IP)	IP66 (using the corresponding A-SEW-...P-W flat gasket)
	IP67 (using the corresponding A-SEW-...P-W flat gasket)
	IP68 (using the corresponding A-SEW-...P-W flat gasket)
Ambient temperature (operation)	-60 °C ... 130 °C (static)

### General

Cable gland material	Nickel-plated brass
Cable seal material	EPDM
Thread type connection side	M63 x 1.5
Color	silver
Impact energy	20.00 J
Assembly instructions	Sealed to IP66/IP67/IP68 thanks to the use of the A-SEW-63-P-W flat gasket (item 1411288)
Standards/specifications	EN 60079-0, -1, -7, -15, -31
	IEC 60079-0, -1, -7, -15, -31
	EN 50262
	BS 6121: Part 1:1989
	IEC 62444
Manufacturer	CMP
Manufacturer product number	63A2F1RA5
Manufacturer Designation	63 A2F N. PLTD GLAND
Suited for EX-applications	yes

### Standards and Regulations

Standards/specifications	EN 60079-0, -1, -7, -15, -31
	IEC 60079-0, -1, -7, -15, -31
	EN 50262
	BS 6121: Part 1:1989
	IEC 62444
ATEX	Sira 13ATEX1068X
	Sira 13ATEX4074X
	Ex II 2/3G, II 1D, Ex d IIC Gb, Ex e IIC Gb, Ex nR IIC Gc, Ex ta IIIC Da, Ex IM2 Ex d I Mb, Ex e I Mb
IECEX	IECEX SIR 13.0023X
	Ex d IIC Gb, Ex e IIC Gb, Ex nR IIC Gc, Ex ta IIIC Da, Ex d I Mb, Ex e I Mb

### Environmental Product Compliance

# Cable gland - G-ESS-M63-L66L-NTES-S - 1411086

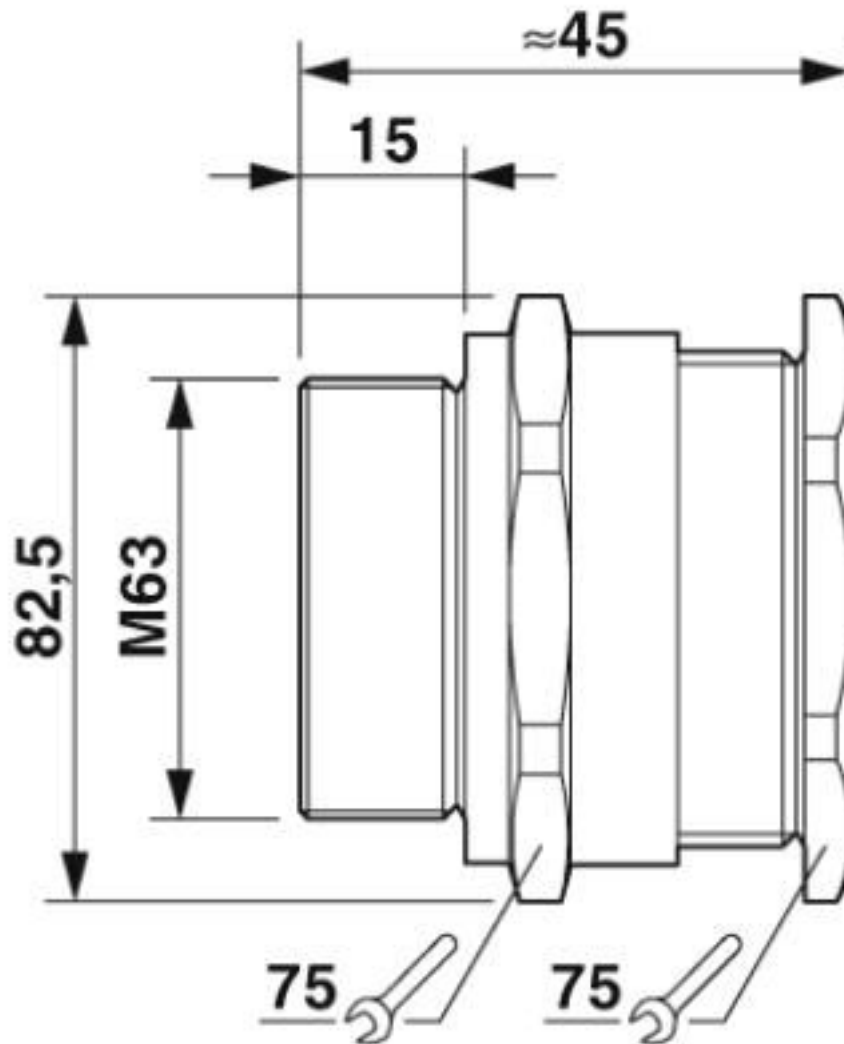
## Technical data

### Environmental Product Compliance

REACH SVHC	Lead 7439-92-1
China RoHS	Environmentally Friendly Use Period = 50 years
	For details about hazardous substances go to tab "Downloads", Category "Manufacturer's declaration"

## Drawings

Dimensional drawing



Dimensional drawing

## Cable gland - G-ESS-M63-L66L-NTES-S - 1411086

### Classifications

#### eCl@ss

eCl@ss 10.0.1	27144432
eCl@ss 4.0	27141200
eCl@ss 4.1	27141200
eCl@ss 5.0	27149100
eCl@ss 5.1	27149100
eCl@ss 6.0	27149100
eCl@ss 7.0	27149109
eCl@ss 8.0	27149109
eCl@ss 9.0	27144432

#### ETIM

ETIM 4.0	EC000441
ETIM 5.0	EC000441
ETIM 6.0	EC000441
ETIM 7.0	EC000441

#### UNSPSC

UNSPSC 13.2	39121311
UNSPSC 18.0	39121311
UNSPSC 19.0	39121311
UNSPSC 20.0	39121311
UNSPSC 21.0	39121311

### Accessories

#### Accessories

##### Flat nut

Counter nut - A-INL-M63-N-S - 1411248



Counter nut, material: Brass, nickel-plated, for threads M63 x 1.5, color: silver

---

#### Seal

## Cable gland - G-ESS-M63-L66L-NTES-S - 1411086

### Accessories

Flat gasket - A-SEW-63-P-W - 1411288

Flat gasket, material: Nylon, for threads M63, color: white



Phoenix Contact 2020 © - all rights reserved  
<http://www.phoenixcontact.com>