

## Sealing frame - CES-B16-8XSRC-BK - 1411073

Please be informed that the data shown in this PDF Document is generated from our Online Catalog. Please find the complete data in the user's documentation. Our General Terms of Use for Downloads are valid (<http://phoenixcontact.com/download>)



Sealing frame with screw locking, size: B16, with 8 pre-mounted coned sleeves for a 2 mm ... 11 mm conductor diameter

RoHS

### Key Commercial Data

Packing unit	1 pc
GTIN	 4 046356 921879
GTIN	4046356921879
Weight per Piece (excluding packing)	220.000 g
Custom tariff number	39269097
Country of origin	Poland

### Technical data

#### Dimensions

External cable diameter	8x 2 mm ... 11 mm
Length	120 mm
Width	58 mm
Height	20 mm

#### Ambient conditions

Degree of protection	IP54
	IP65
Ambient temperature (operation)	-40 °C ... 120 °C (static)

#### General

Frame type	Sealing frame with coned sleeves
------------	----------------------------------

# Sealing frame - CES-B16-8XSRC-BK - 1411073

## Technical data

### General

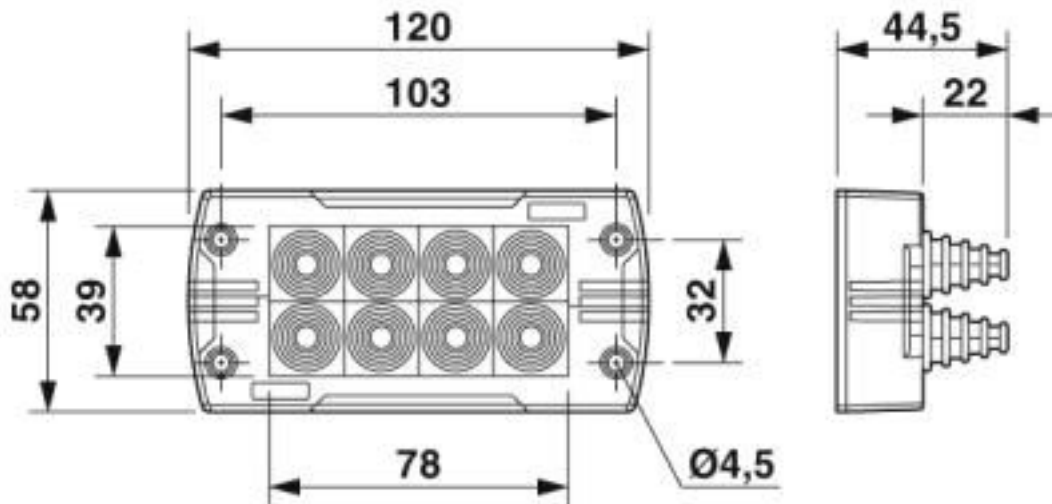
Material	PA (Frame)
	NBR (Coned sleeves)
Color	black
Torque	2 Nm ... 4 Nm (Locking screw)
Installation instructions	M4 locking screw with 3 mm hex socket head, torque 2 ... 4 Nm
	The flat gasket supplied should be inserted between the wall and the sealing frame in the case of wall mounting. IP54: for vertical sealing frame mounting/for horizontal sealing frame mounting (downward cable outlet direction). IP65: vertical mounting/horizontal mounting (downward cable outlet direction) of the sealing frame directly on the housing panel and use of a 3.6 mm wide cable binder (e.g., item 3240744).

### Environmental Product Compliance

REACH SVHC	Lead 7439-92-1
China RoHS	Environmentally Friendly Use Period = 50 years
	For details about hazardous substances go to tab "Downloads", Category "Manufacturer's declaration"

## Drawings

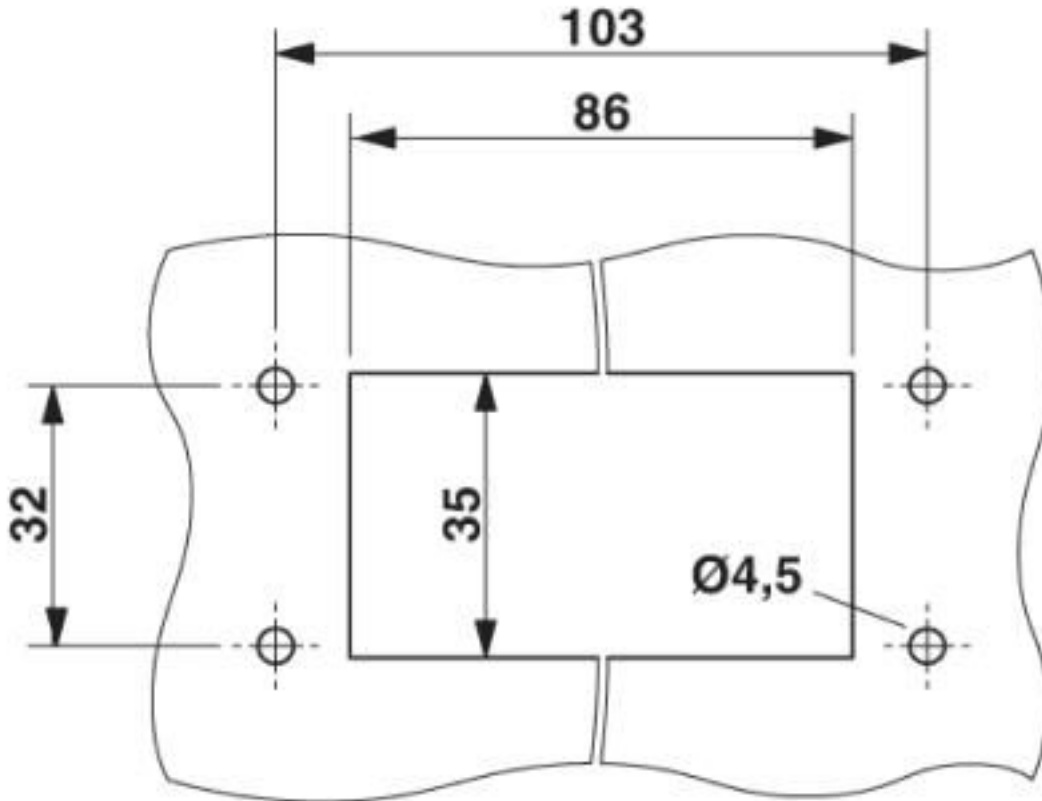
Dimensional drawing



Dimensional drawing

# Sealing frame - CES-B16-8XSRC-BK - 1411073

Dimensional drawing



Mounting cutout

## Classifications

eCl@ss

eCl@ss 10.0.1	23071590
eCl@ss 4.0	23110100
eCl@ss 4.1	23110100
eCl@ss 5.0	23110100
eCl@ss 5.1	23110100
eCl@ss 6.0	23071500
eCl@ss 7.0	23071590
eCl@ss 8.0	23071590
eCl@ss 9.0	23071590

ETIM

ETIM 4.0	EC000886
----------	----------

# Sealing frame - CES-B16-8XSRC-BK - 1411073

## Classifications

### ETIM

ETIM 5.0	EC000211
ETIM 6.0	EC000211
ETIM 7.0	EC000211

## Approvals

### Approvals

---

### Approvals

DNV GL

---

Ex Approvals

---

## Approval details

DNV GL		<a href="https://approvalfinder.dnvgl.com/">https://approvalfinder.dnvgl.com/</a>	TAE00003VJ
--------	---	---	------------

## Accessories

### Accessories

### Cutting tools

Cable-cutting tool - CUTFOX-ES - 1212621



Electrician's scissors, high cutting performance thanks to micro-serrated cutting area, suitable for copper, aluminum, Kevlar fibers, and plastic, two-component non-slip soft-grip handles, ergonomic design, adjustable screw joint