

## Coding profile - CP-HC-S - 1410916

Please be informed that the data shown in this PDF Document is generated from our Online Catalog. Please find the complete data in the user's documentation. Our General Terms of Use for Downloads are valid (<http://phoenixcontact.com/download>)

Coding profile, 4 elements per star, for insertion in a coding keyway, for contact inserts HC-BB... / HC-A10-I-UT... / HC-A16-I-UT...



COMPLETE

### Key Commercial Data

Packing unit	1 pc
Minimum order quantity	10 pc
GTIN	 4 046356 886567
GTIN	4046356886567
Weight per Piece (excluding packing)	2.000 g
Custom tariff number	39269097
Country of origin	China

### Technical data

#### Ambient conditions

Ambient temperature (operation)	-40 °C ... 125 °C
---------------------------------	-------------------

#### General

Material	PA
Flammability rating according to UL 94	V2
Color	red
Note	4 coding profiles per star, Pcs./Pkt.: 10 stars
Assembly instructions	4 coding profiles per star, 10 stars per unit pack
Connection	for contact inserts HC-BB... / HC-A10-I-UT... / HC-A16-I-UT...

### Standards and Regulations

# Coding profile - CP-HC-S - 1410916

## Technical data

### Standards and Regulations

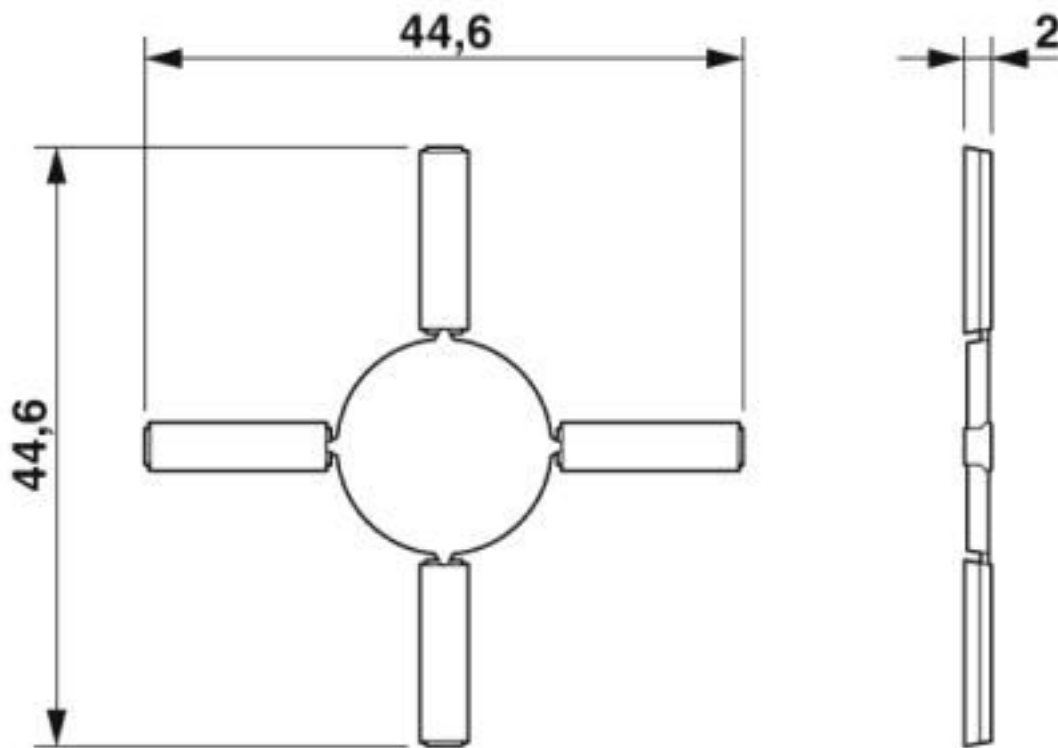
Flammability rating according to UL 94	V2
--	----

### Environmental Product Compliance

China RoHS	Environmentally friendly use period: unlimited = EFUP-e
	No hazardous substances above threshold values

## Drawings

Dimensional drawing



Dimensional drawing

## Classifications

eCl@ss

eCl@ss 10.0.1	27440203
eCl@ss 4.0	27140800
eCl@ss 4.1	27140800
eCl@ss 5.0	27143400

## Coding profile - CP-HC-S - 1410916

### Classifications

#### eCl@ss

eCl@ss 5.1	27143400
eCl@ss 6.0	27269200
eCl@ss 7.0	27440203
eCl@ss 8.0	27440203
eCl@ss 9.0	27440203

#### ETIM

ETIM 4.0	EC002498
ETIM 5.0	EC002311
ETIM 6.0	EC002311
ETIM 7.0	EC002311

#### UNSPSC

UNSPSC 6.01	30211817
UNSPSC 7.0901	39121416
UNSPSC 11	43172601
UNSPSC 12.01	39121522
UNSPSC 13.2	27112301
UNSPSC 18.0	27112301
UNSPSC 19.0	27112301
UNSPSC 20.0	27112301
UNSPSC 21.0	27112301