

Seal - SAC-VP-SEAL-SIL/RD OD - 1410695

Please be informed that the data shown in this PDF Document is generated from our Online Catalog. Please find the complete data in the user's documentation. Our General Terms of Use for Downloads are valid (<http://phoenixcontact.com/download>)

Seal set for valve connectors A and AD, for outdoor applications, consisting of silicone seal and latching



RoHS

Key Commercial Data

Packing unit	1 pc
Minimum order quantity	10 pc
GTIN	 4 046356 907057
GTIN	4046356907057
Weight per Piece (excluding packing)	2.000 g
Custom tariff number	39269097
Country of origin	Poland

Technical data

Ambient conditions

Ambient temperature (operation)	-40 °C ... 85 °C
Degree of protection	IP65
	IP67
	IP68
	IP66K

General

Torque	0.6 Nm (Valve connector)
--------	--------------------------

Material

Material	PA 6
----------	------

Seal - SAC-VP-SEAL-SIL/RD OD - 1410695

Technical data

Material

Sealing material	Silicon
------------------	---------

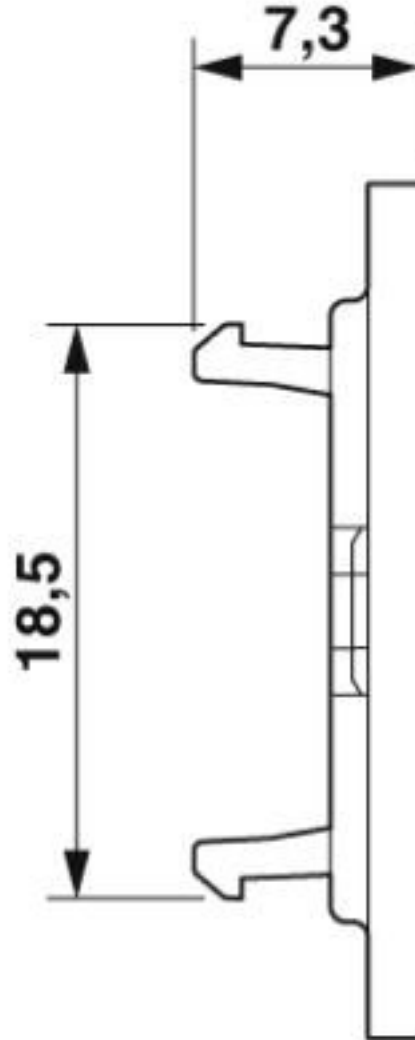
Environmental Product Compliance

China RoHS	Environmentally friendly use period: unlimited = EFUP-e
	No hazardous substances above threshold values

Drawings

Seal - SAC-VP-SEAL-SIL/RD OD - 1410695

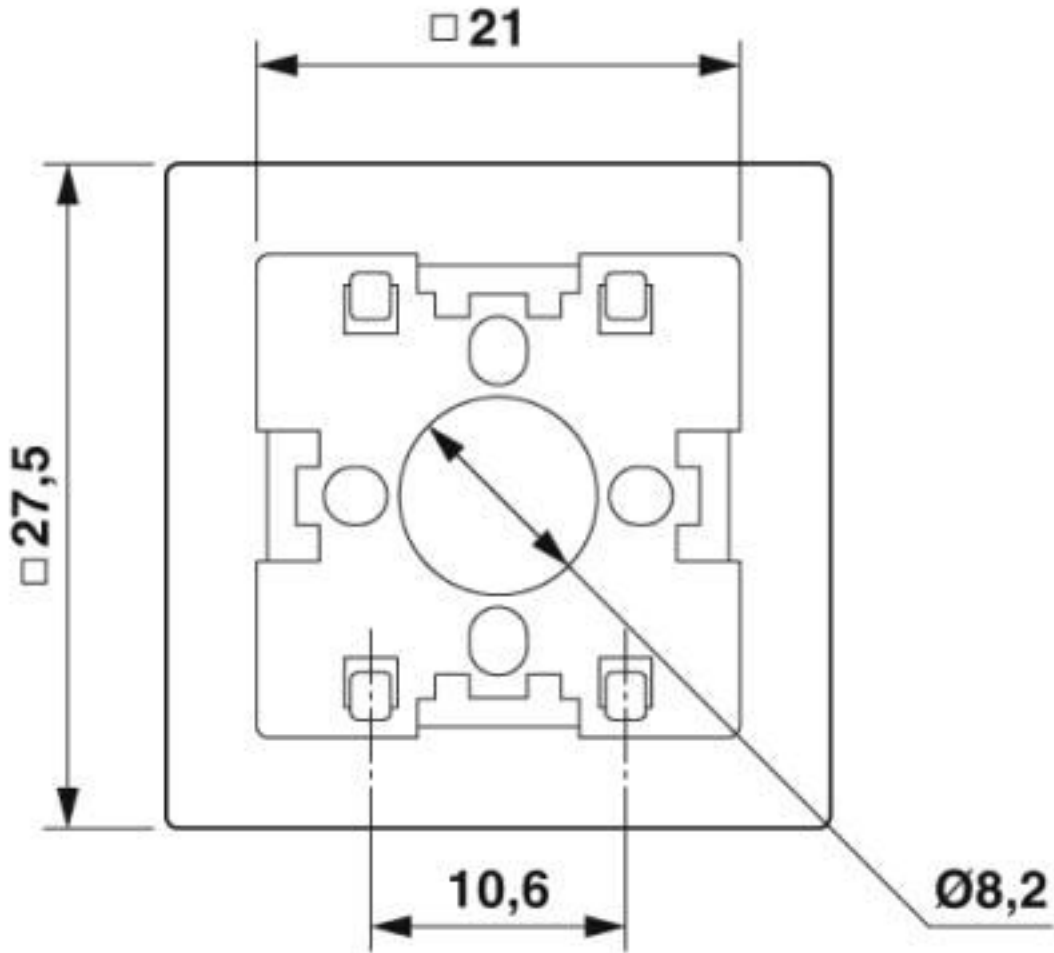
Dimensional drawing



Seal with latching, side view

Seal - SAC-VP-SEAL-SIL/RD OD - 1410695

Dimensional drawing



Seal with latching

Classifications

eCl@ss

eCl@ss 10.0.1	27440192
eCl@ss 4.0	27378000
eCl@ss 4.1	27378000
eCl@ss 5.0	27379100
eCl@ss 5.1	27379100
eCl@ss 6.0	27379200
eCl@ss 7.0	27379201
eCl@ss 8.0	27379201

Seal - SAC-VP-SEAL-SIL/RD OD - 1410695

Classifications

eCl@ss

eCl@ss 9.0	27440192
------------	----------

ETIM

ETIM 4.0	EC002498
ETIM 5.0	EC002498
ETIM 6.0	EC002498
ETIM 7.0	EC002498

UNSPSC

UNSPSC 13.2	39121421
UNSPSC 18.0	39121421
UNSPSC 19.0	39121421
UNSPSC 20.0	39121421
UNSPSC 21.0	39121421