

Sealing cap - PROT-MINFS-PA VPE100 - 1410133


Please be informed that the data shown in this PDF Document is generated from our Online Catalog. Please find the complete data in the user's documentation. Our General Terms of Use for Downloads are valid (<http://phoenixcontact.com/download>)



Sealing cap, 7/8", plastic, for sensor cables, for 7/8" plugs

RoHS

Key Commercial Data

Packing unit	1
GTIN	 4 046356 893497
GTIN	4046356893497
Custom tariff number	39269097

Technical data

Ambient conditions

Degree of protection	IP65
	IP67

Material

Flammability rating according to UL 94	V0
Material	PA 6.6 GF
Sealing material	NBR

Standards and Regulations

Flammability rating according to UL 94	V0
----------------------------------------	----

Environmental Product Compliance

China RoHS	Environmentally Friendly Use Period = 50 years
------------	------------------------------------------------

Sealing cap - PROT-MINFS-PA VPE100 - 1410133

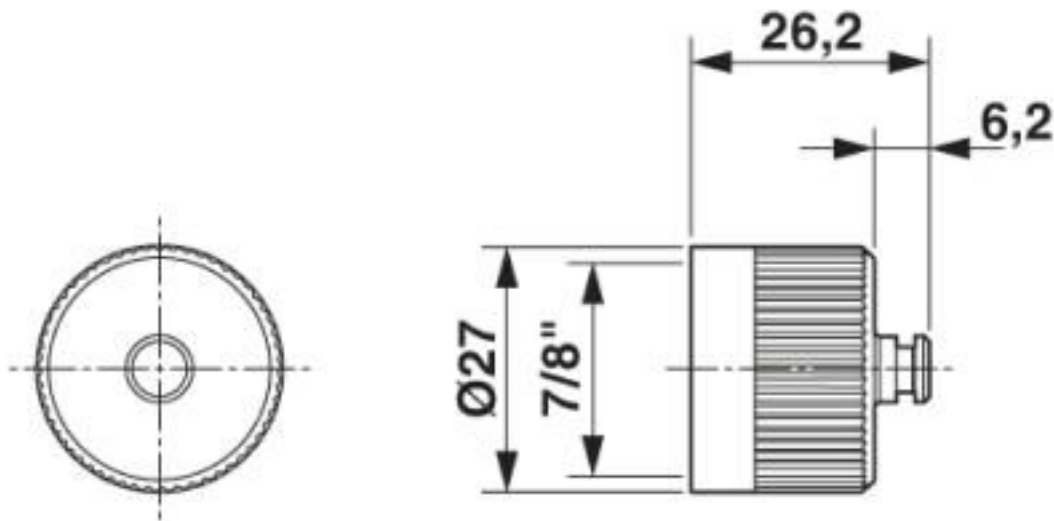
Technical data

Environmental Product Compliance

	For details about hazardous substances go to tab "Downloads", Category "Manufacturer's declaration"
--	-----------------------------------------------------------------------------------------------------

Drawings

Dimensional drawing



Dimensional drawing

Classifications

eCl@ss

eCl@ss 10.0.1	23111190
eCl@ss 4.0	27060300
eCl@ss 4.1	27060300
eCl@ss 5.0	27061800
eCl@ss 5.1	27061800
eCl@ss 6.0	27261200
eCl@ss 7.0	27440208
eCl@ss 8.0	27440208
eCl@ss 9.0	23111190

ETIM

ETIM 4.0	EC002040
----------	----------

Sealing cap - PROT-MINFS-PA VPE100 - 1410133

Classifications

ETIM

ETIM 5.0	EC002040
ETIM 6.0	EC000032
ETIM 7.0	EC000032