

Screw plug - PROT-MINMS-PA VPE100 - 1410125


Please be informed that the data shown in this PDF Document is generated from our Online Catalog. Please find the complete data in the user's documentation. Our General Terms of Use for Downloads are valid (<http://phoenixcontact.com/download>)



Sealing cap, 7/8", plastic, for flush-type connectors, for 7/8" sockets

RoHS

Key Commercial Data

| | |
|----------------------|---|
| Packing unit | 1 |
| GTIN |  4 046356 890939 |
| GTIN | 4046356890939 |
| Custom tariff number | 39269097 |

Technical data

Ambient conditions

| | |
|----------------------|------|
| Degree of protection | IP65 |
| | IP67 |

Material

| | |
|--|-----------|
| Flammability rating according to UL 94 | V0 |
| Material | PA 6.6 GF |
| Sealing material | NBR |

Standards and Regulations

| | |
|--|----|
| Flammability rating according to UL 94 | V0 |
|--|----|

Environmental Product Compliance

| | |
|------------|--|
| China RoHS | Environmentally Friendly Use Period = 50 years |
|------------|--|

Screw plug - PROT-MINMS-PA VPE100 - 1410125

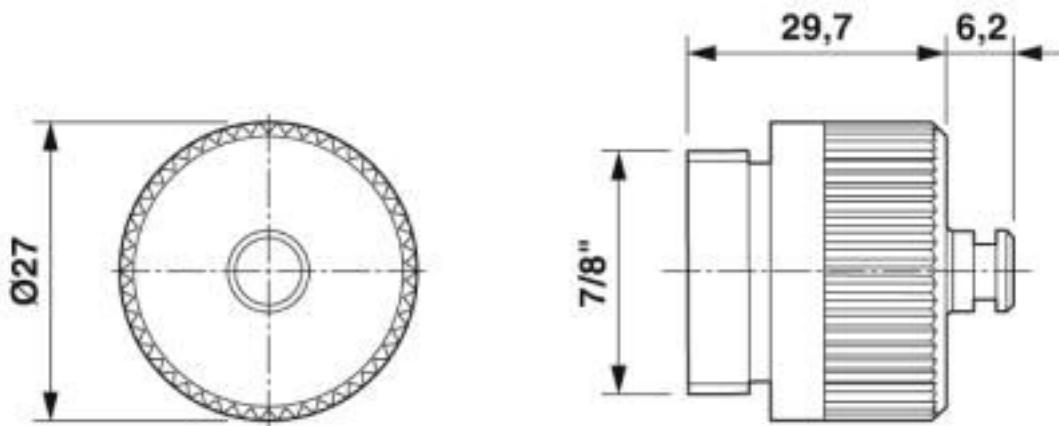
Technical data

Environmental Product Compliance

| | |
|--|---|
| | For details about hazardous substances go to tab "Downloads", Category "Manufacturer's declaration" |
|--|---|

Drawings

Dimensional drawing



Dimensional drawing

Classifications

eCl@ss

| | |
|---------------|----------|
| eCl@ss 10.0.1 | 23111190 |
| eCl@ss 4.0 | 23111100 |
| eCl@ss 4.1 | 23111100 |
| eCl@ss 5.0 | 23111100 |
| eCl@ss 5.1 | 23111100 |
| eCl@ss 6.0 | 23111100 |
| eCl@ss 7.0 | 23111190 |
| eCl@ss 8.0 | 23111190 |
| eCl@ss 9.0 | 23111190 |

ETIM

| | |
|----------|----------|
| ETIM 4.0 | EC002040 |
| ETIM 5.0 | EC002040 |
| ETIM 6.0 | EC000032 |
| ETIM 7.0 | EC000032 |

Screw plug - PROT-MINMS-PA VPE100 - 1410125

Classifications

UNSPSC

| | |
|---------------|----------|
| UNSPSC 6.01 | 31251501 |
| UNSPSC 7.0901 | 31251501 |
| UNSPSC 11 | 31251501 |
| UNSPSC 12.01 | 31251501 |
| UNSPSC 13.2 | 31161501 |
| UNSPSC 18.0 | 31261502 |
| UNSPSC 19.0 | 31261502 |
| UNSPSC 20.0 | 31261502 |
| UNSPSC 21.0 | 31261502 |