

Connector set - HC-KIT-B24-R01 - 1409749


Please be informed that the data shown in this PDF Document is generated from our Online Catalog. Please find the complete data in the user's documentation. Our General Terms of Use for Downloads are valid (<http://phoenixcontact.com/download>)



Connector set, consisting of: B24 sleeve housing and panel mounting base, 24-pos. plug and socket insert, M32 cable gland

RoHS

Key Commercial Data

| | |
|--------------------------------------|---|
| Packing unit | 1 pc |
| GTIN |  4 046356 752695 |
| GTIN | 4046356752695 |
| Weight per Piece (excluding packing) | 740.000 g |
| Custom tariff number | 85366990 |
| Country of origin | Germany |

Technical data

Dimensions

| | |
|----------------|-----------------|
| Cable diameter | 14 mm ... 21 mm |
|----------------|-----------------|

General

| | |
|----------------------------------|------------------|
| Number of positions | 24+PE |
| Type | B24 |
| Rated voltage | 500 V |
| Rated current | 16 A |
| Connection method | Screw connection |
| Cable outlet | straight |
| Degree of protection for housing | IP65 |
| Connection method | Screw connection |
| Rated voltage (III/3) | 500 V |

Connector set - HC-KIT-B24-R01 - 1409749

Technical data

General

| | |
|---------------------------------|--|
| Rated surge voltage | 6 kV |
| Rated current | 20 A |
| Conductor cross section | 0.5 mm ² ... 2.5 mm ² (applies to stranded conductors with ferrules) |
| Connection cross section AWG | 20 ... 14 |
| External cable diameter | 15 mm ... 21 mm |
| Ambient temperature (operation) | -40 °C ... 100 °C |
| Length of the assembly cutout | 113 mm |
| Width of the assembly cutout | 35 mm |
| Housing material | Aluminum cast alloy, powder-coated |
| Contact carrier material | PC |
| Locking latch material | PA |

Standards and Regulations

| | |
|--|----|
| Flammability rating according to UL 94 | V0 |
|--|----|

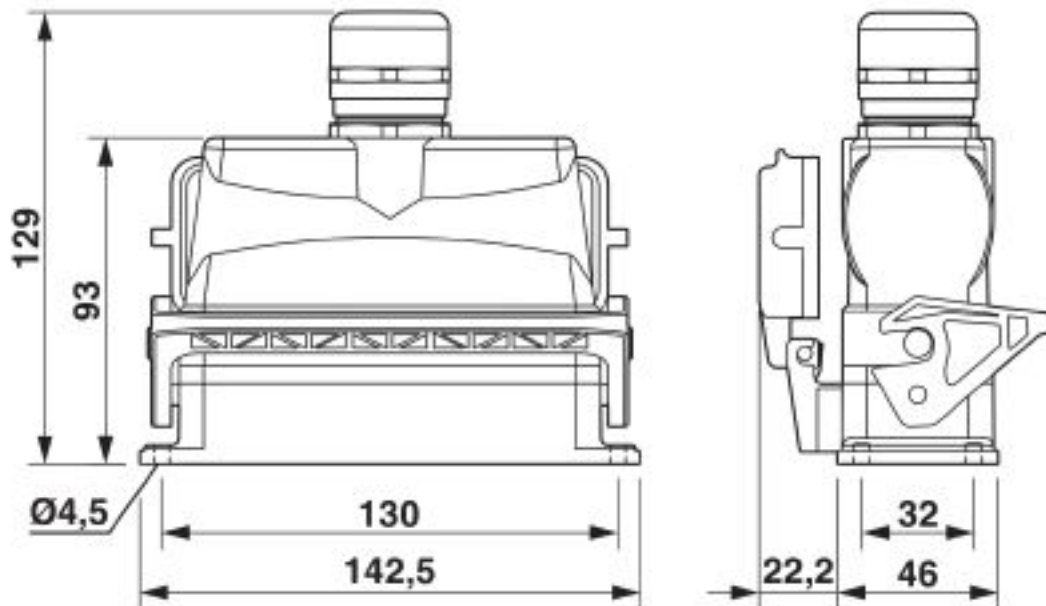
Environmental Product Compliance

| | |
|------------|---|
| REACH SVHC | Lead 7439-92-1 |
| China RoHS | Environmentally Friendly Use Period = 50 years |
| | For details about hazardous substances go to tab "Downloads", Category "Manufacturer's declaration" |

Drawings

Connector set - HC-KIT-B24-R01 - 1409749

Dimensional drawing



Dimensional drawing

Articles in set

Cable gland - G-INS-M32-M68N-NNES-S - 1411166



Cable gland, cable gland material: Nickel-plated brass, external cable diameter 15 mm ... 21 mm, shielding: no, connecting thread: M32 x 1.5, color: silver, with O-ring

Contact insert - HC-B 24-I-UT-M - 1648296



HEAVYCON pin insert, B24 series, 24-pos., screw connection

Connector set - HC-KIT-B24-R01 - 1409749

Articles in set

Housing - HC-B 24-TFL-N-O1STM32G - 1460297



HEAVYCON B24 sleeve housing, for single locking latch, height: 65 mm, with 1 x M32 thread, straight cable outlet

Housing - HC-B 24-AMLD - 1771943



HEAVYCON B24 panel mounting base, with single locking latch, height: 29 mm, with plastic cover, with flat gasket

Contact insert - HC-B 24-I-UT-F - 1648306



HEAVYCON female insert, B24 series, 24-pos., screw connection

Classifications

eCl@ss

| | |
|---------------|----------|
| eCl@ss 10.0.1 | 27440101 |
| eCl@ss 4.0 | 27260700 |
| eCl@ss 4.1 | 27260700 |
| eCl@ss 5.0 | 27260700 |
| eCl@ss 5.1 | 27260700 |
| eCl@ss 6.0 | 27260700 |
| eCl@ss 7.0 | 27440101 |
| eCl@ss 8.0 | 27440101 |
| eCl@ss 9.0 | 27440101 |

ETIM

| | |
|----------|----------|
| ETIM 3.0 | EC002310 |
| ETIM 4.0 | EC002560 |

Connector set - HC-KIT-B24-R01 - 1409749

Classifications

ETIM

| | |
|----------|----------|
| ETIM 5.0 | EC002560 |
| ETIM 6.0 | EC002636 |
| ETIM 7.0 | EC002636 |

UNSPSC

| | |
|---------------|----------|
| UNSPSC 6.01 | 30211923 |
| UNSPSC 7.0901 | 39121522 |
| UNSPSC 11 | 39121522 |
| UNSPSC 12.01 | 39121522 |
| UNSPSC 13.2 | 39121409 |
| UNSPSC 18.0 | 39121409 |
| UNSPSC 19.0 | 39121409 |
| UNSPSC 20.0 | 39121409 |
| UNSPSC 21.0 | 39121409 |

Approvals

Approvals

Approvals

EAC / EAC / EAC

Ex Approvals

Approval details

| | | |
|-----|--|--------------------------|
| EAC | | RU C- DE.AI30.B.01102 |
|-----|--|--------------------------|

| | | |
|-----|--|---------------|
| EAC | | EAC-Zulassung |
|-----|--|---------------|

| | | |
|-----|--|--------------------------|
| EAC | | RU C- DE.BL08.B.00511 |
|-----|--|--------------------------|

