

## Connector set - HC-KIT-B16-R03 - 1409736


Please be informed that the data shown in this PDF Document is generated from our Online Catalog. Please find the complete data in the user's documentation. Our General Terms of Use for Downloads are valid (<http://phoenixcontact.com/download>)



Connector set, consisting of: B16 sleeve housing and panel mounting base, 16-pos. plug and socket insert, M25 cable gland

RoHS

### Key Commercial Data

|                                      |   |
|--------------------------------------|---|
| Packing unit                         | 1 pc  |
| GTIN                                 | <br>4 046356 752688 |
| GTIN                                 | 4046356752688   |
| Weight per Piece (excluding packing) | 540.000 g   |
| Custom tariff number                 | 85366990  |
| Country of origin                    | Germany   |

### Technical data

#### Dimensions

|                |                 |
|----------------|-----------------|
| Cable diameter | 11 mm ... 16 mm |
|----------------|-----------------|

#### General

|                                  |                  |
|----------------------------------|------------------|
| Number of positions              | 16+PE            |
| Type                             | B16              |
| Rated voltage                    | 500 V            |
| Rated current                    | 16 A             |
| Connection method                | Screw connection |
| Cable outlet                     | lateral          |
| Degree of protection for housing | IP65             |
| Connection method                | Screw connection |
| Rated voltage (III/3)            | 500 V            |

## Connector set - HC-KIT-B16-R03 - 1409736

### Technical data

#### General

|                                 |  |
|---------------------------------|--|
| Rated surge voltage             | 6 kV   |
| Rated current                   | 20 A   |
| Conductor cross section         | 0.5 mm <sup>2</sup> ... 2.5 mm <sup>2</sup> (applies to stranded conductors with ferrules) |
| Connection cross section AWG    | 20 ... 14  |
| External cable diameter         | 11 mm ... 17 mm  |
| Ambient temperature (operation) | -40 °C ... 100 °C  |
| Length of the assembly cutout   | 86 mm  |
| Width of the assembly cutout    | 35 mm  |
| Housing material                | Aluminum cast alloy, powder-coated   |
| Contact carrier material        | PC   |
| Locking latch material          | PA   |
| Integrated protective cover     | no   |

#### Standards and Regulations

|  |    |
|--|----|
| Flammability rating according to UL 94 | V0 |
|--|----|

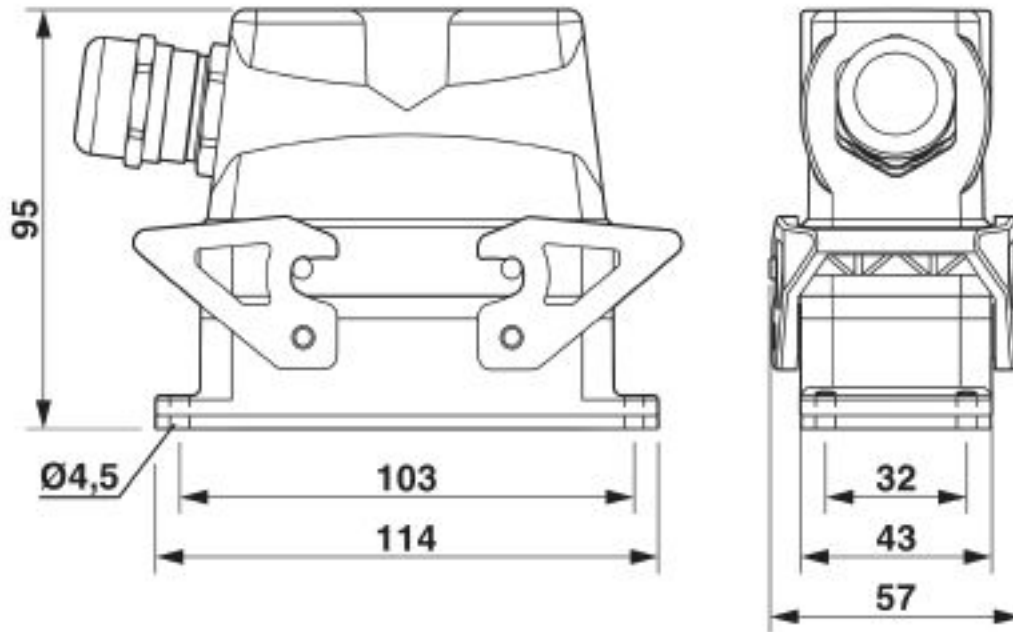
#### Environmental Product Compliance

|            |   |
|------------|---|
| REACH SVHC | Lead 7439-92-1  |
| China RoHS | Environmentally Friendly Use Period = 50 years  |
|            | For details about hazardous substances go to tab "Downloads", Category "Manufacturer's declaration" |

### Drawings

## Connector set - HC-KIT-B16-R03 - 1409736

Dimensional drawing



Dimensional drawing

### Articles in set

Cable gland - G-INS-M25-M68N-NNES-S - 1411165



Cable gland, cable gland material: Nickel-plated brass, external cable diameter 11 mm ... 17 mm, shielding: no, connecting thread: M25 x 1.5, color: silver, with O-ring

Contact insert - HC-B 16-I-UT-M - 1648238



HEAVYCON male insert, B16 series, 16-pos., screw connection

# Connector set - HC-KIT-B16-R03 - 1409736

## Articles in set

Housing - HC-B 16-TFQ-N-O1STM25S - 1460130



HEAVYCON B16 sleeve housing, for double locking latch, height: 65 mm, with 1 x M25 thread, lateral cable outlet

Housing - HC-B 16-AMQ - 1771587



HEAVYCON B16 panel mounting base, with double locking latch, height: 29 mm, with flat gasket

Contact insert - HC-B 16-I-UT-F - 1648241



HEAVYCON female insert, B16 series, 16-pos., screw connection

## Classifications

### eCl@ss

|               |          |
|---------------|----------|
| eCl@ss 10.0.1 | 27440101 |
| eCl@ss 4.0    | 27260700 |
| eCl@ss 4.1    | 27260700 |
| eCl@ss 5.0    | 27260700 |
| eCl@ss 5.1    | 27260700 |
| eCl@ss 6.0    | 27260700 |
| eCl@ss 7.0    | 27440101 |
| eCl@ss 8.0    | 27440101 |
| eCl@ss 9.0    | 27440101 |

### ETIM

|          |          |
|----------|----------|
| ETIM 3.0 | EC002310 |
| ETIM 4.0 | EC002560 |

# Connector set - HC-KIT-B16-R03 - 1409736

## Classifications

### ETIM

|          |          |
|----------|----------|
| ETIM 5.0 | EC002560 |
| ETIM 6.0 | EC002636 |
| ETIM 7.0 | EC002636 |

### UNSPSC

|               |          |
|---------------|----------|
| UNSPSC 6.01   | 30211923 |
| UNSPSC 7.0901 | 39121522 |
| UNSPSC 11     | 39121522 |
| UNSPSC 12.01  | 39121522 |
| UNSPSC 13.2   | 39121409 |
| UNSPSC 18.0   | 39121409 |
| UNSPSC 19.0   | 39121409 |
| UNSPSC 20.0   | 39121409 |
| UNSPSC 21.0   | 39121409 |

## Approvals

### Approvals

Approvals

EAC / EAC / EAC

Ex Approvals

### Approval details

|     |  |                          |
|-----|--|--------------------------|
| EAC |  | RU C-<br>DE.AI30.B.01102 |
|-----|--|--------------------------|

|     |  |               |
|-----|--|---------------|
| EAC |  | EAC-Zulassung |
|-----|--|---------------|

|     |  |                          |
|-----|--|--------------------------|
| EAC |  | RU C-<br>DE.BL08.B.00511 |
|-----|--|--------------------------|

