

Valve connectors - SAC-3P-MR/BI-1L-Z SCO 180 - 1409724

Please be informed that the data shown in this PDF Document is generated from our Online Catalog. Please find the complete data in the user's documentation. Our General Terms of Use for Downloads are valid (<http://phoenixcontact.com/download>)



Valve connectors, 3-position, Plug angled M12, coding: A, on Valve connector BI (11 mm), with 1 LED, connected with Z diode, Pin connector pattern of valve plug rotated 180°



Key Commercial Data

Packing unit	1 pc
Minimum order quantity	25 pc
GTIN	 4 046356 900683
GTIN	4046356900683
Weight per Piece (excluding packing)	28.000 g
Custom tariff number	85444290
Country of origin	Poland

Technical data

Ambient conditions

Ambient temperature (operation)	-25 °C ... 85 °C (valve plug)
Degree of protection	IP65
	IP67

General

Rated current at 40°C	4 A
Rated voltage	24 V AC
	24 V DC
Number of positions	3
Color handle area	black
Insulation resistance	≥ 100 MΩ

Valve connectors - SAC-3P-MR/BI-1L-Z SCO 180 - 1409724

Technical data

General

Coding	A - standard
Standards/regulations	M12 connector IEC 61076-2-101
Status display	Yellow LED
Protective circuit/component	Z diode
Overvoltage category	II
Degree of pollution	3
Connection method	M12 connector
Insertion/withdrawal cycles	≥ 100
Torque	0.6 Nm (Valve connector)

Material

Flammability rating according to UL 94	HB
Contact material	CuSn
Contact surface material	Ni/Au
Contact carrier material	PA66
Valve plug contact material	CuSn
Valve plug contact surface material	Sn
Valve plug contact insert material	PA 6.6
Material housing valve plug	TPU
Material, knurls	Zinc die-cast, nickel-plated
Sealing material	TPU (Seal molded)

Standards and Regulations

Standards/specifications	M12 connector IEC 61076-2-101
Flammability rating according to UL 94	HB

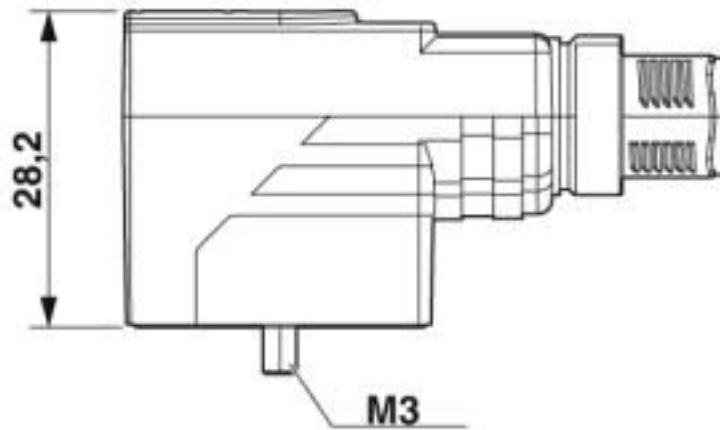
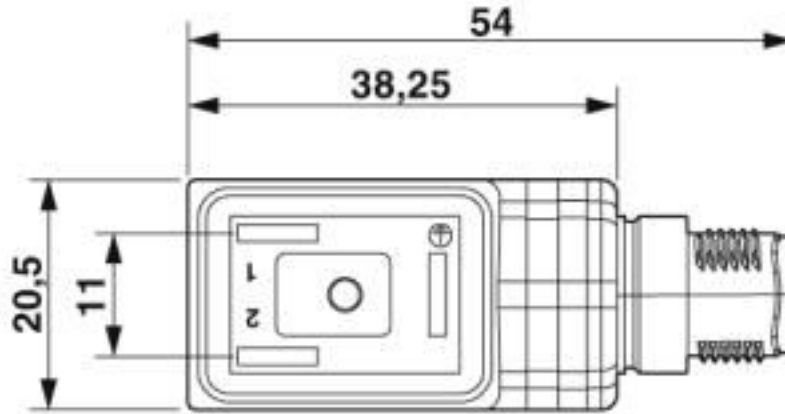
Environmental Product Compliance

China RoHS	Environmentally Friendly Use Period = 50 years
	For details about hazardous substances go to tab "Downloads", Category "Manufacturer's declaration"

Drawings

Valve connectors - SAC-3P-MR/BI-1L-Z SCO 180 - 1409724

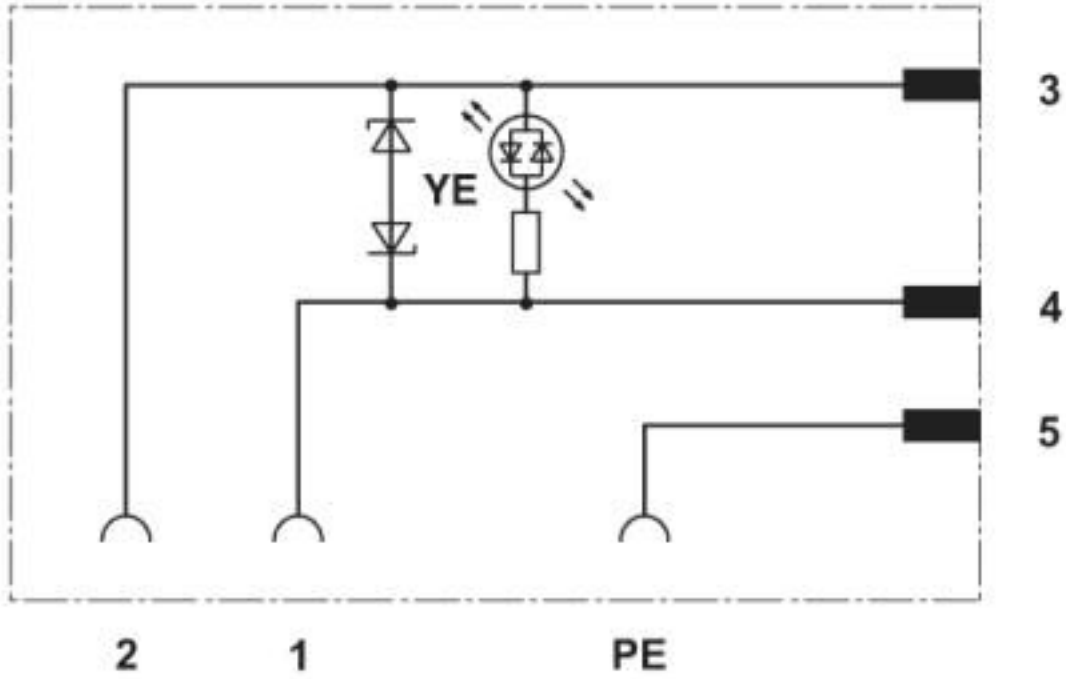
Dimensional drawing



as illustrated, but with cable outlet rotated 180°

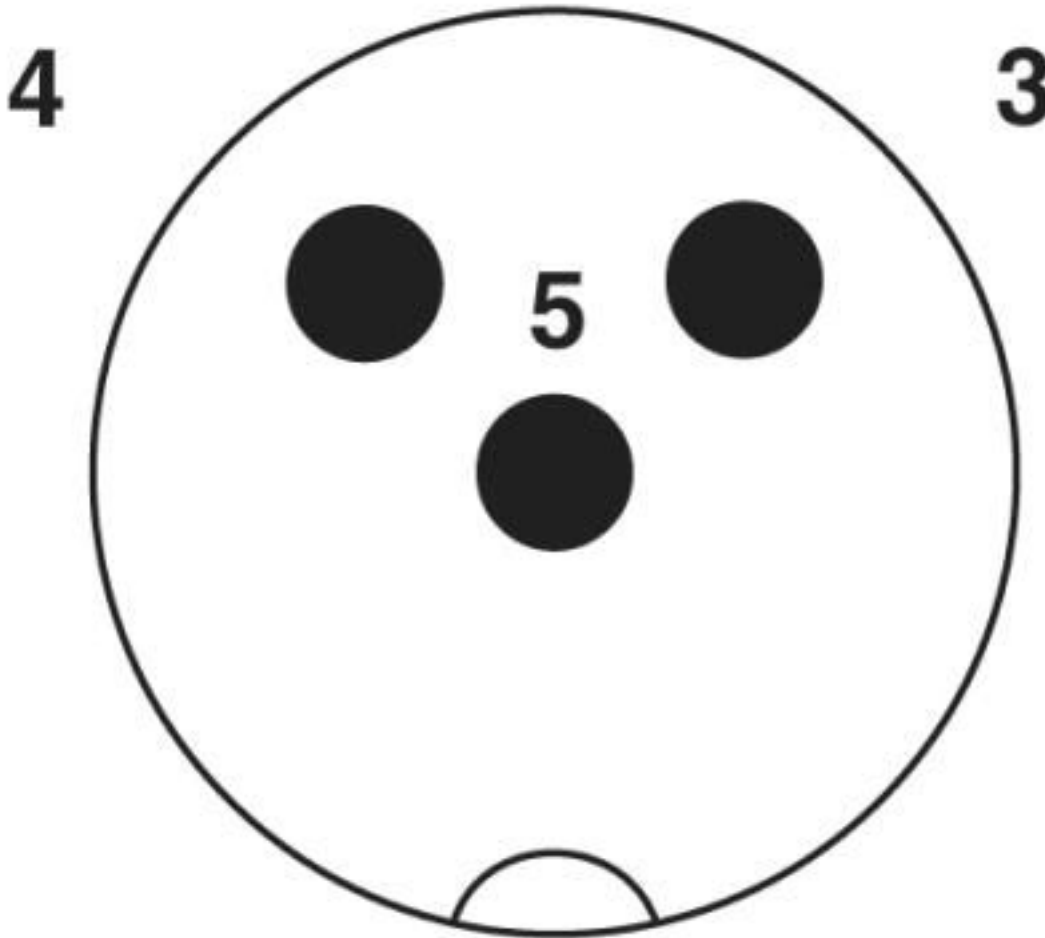
Valve connectors - SAC-3P-MR/BI-1L-Z SCO 180 - 1409724

Circuit diagram



Valve connectors - SAC-3P-MR/BI-1L-Z SCO 180 - 1409724

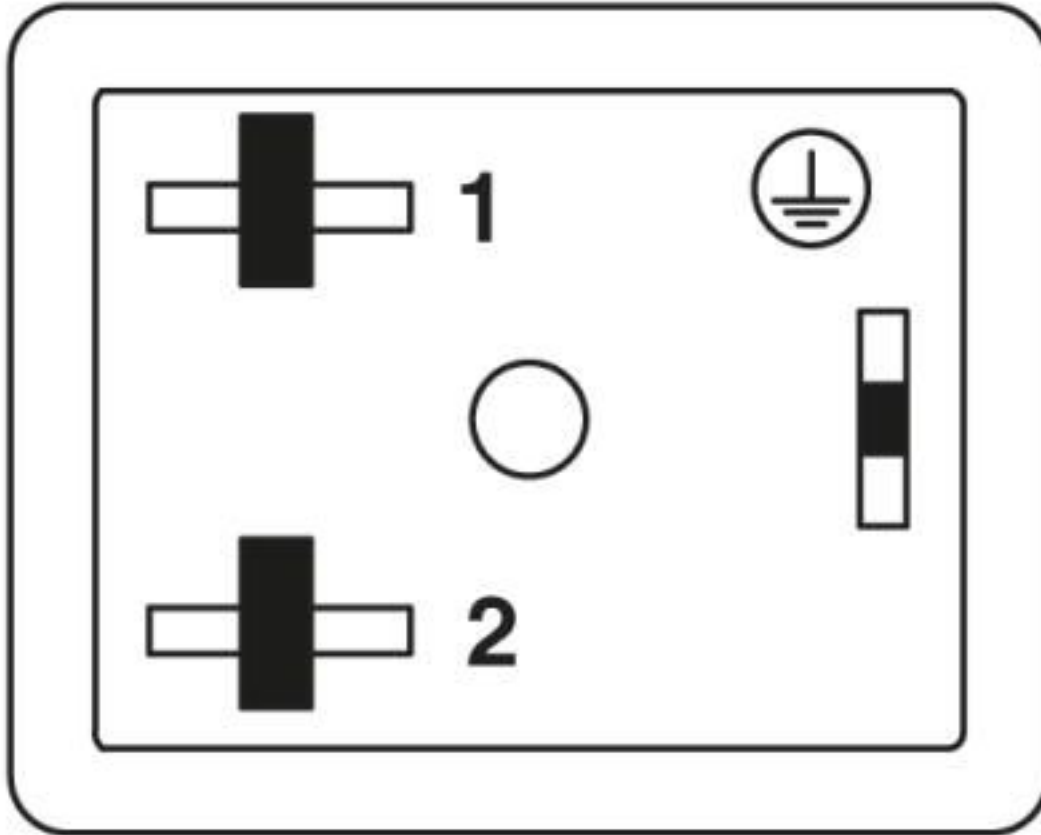
Schematic diagram



Pin assignment M12 plug, 3-pos., A-coded, view male side

Valve connectors - SAC-3P-MR/BI-1L-Z SCO 180 - 1409724

Schematic diagram



Valve connector pin assignment, type BI

Classifications

eCl@ss

eCl@ss 10.0.1	27440105
eCl@ss 4.0	27140800
eCl@ss 4.1	27140800
eCl@ss 5.0	27143400
eCl@ss 5.1	27143400
eCl@ss 6.0	27279200
eCl@ss 7.0	27279218
eCl@ss 8.0	27279218
eCl@ss 9.0	27440105

Valve connectors - SAC-3P-MR/BI-1L-Z SCO 180 - 1409724

Classifications

ETIM

ETIM 5.0	EC002062
ETIM 6.0	EC002925
ETIM 7.0	EC002925

UNSPSC

UNSPSC 13.2	31251501
UNSPSC 19.0	31251501
UNSPSC 20.0	31251501
UNSPSC 21.0	31251501

Approvals


Approvals

Approvals

CSAus

Ex Approvals

Approval details

CSAus		http://www.csagroup.org/services-industries/product-listing/	13631
Nominal voltage UN	24 V		
Nominal current IN	4 A		

Accessories

Accessories

Screwdriver tools

Valve connectors - SAC-3P-MR/BI-1L-Z SCO 180 - 1409724

Accessories

Screw insert - SF-BIT-PH 1-70 - 1212582



Screw bit, PH crosshead, E6.3-1/4" drive, size: PH 1 x 70 mm, hardened, suitable for holder according to DIN 3126-F6.3/ISO 1173

Sensor/actuator cable

Connecting cable - SAC-3P-FS SCO V/.../... - 1406702



Connecting cable, 3-position, Variable cable type, free cable end, on Socket straight M12 SPEEDCON, coding: A, cable length: Free input (0.2 ... 40.0 m), For valve plug adapters

Sensor/actuator cable - SAC-3P-M12MS/3,0-PUR/M12FS 345 - 1402560



Sensor/actuator cable, 3-position, PUR halogen-free, black-gray RAL 7021, Plug straight M12, coding: A, on Socket straight M12, coding: A, cable length: 3 m, For valve connector

Sensor/actuator cable - SAC-3P-M12MS/5,0-PUR/M12FS 345 - 1402561



Sensor/actuator cable, 3-position, PUR halogen-free, black-gray RAL 7021, Plug straight M12, coding: A, on Socket straight M12, coding: A, cable length: 5 m, For valve connector

Sensor/actuator cable - SAC-3P-M12MS/10,0-PUR/M12FS 345 - 1402562



Sensor/actuator cable, 3-position, PUR halogen-free, black-gray RAL 7021, Plug straight M12, coding: A, on Socket straight M12, coding: A, cable length: 10 m, For valve connector

Valve connectors - SAC-3P-MR/BI-1L-Z SCO 180 - 1409724

Accessories

Torque tool

Torque screwdriver - TSD-M 1,2NM - 1212224



Torque screw driver, accuracy as per EN ISO 6789 standard, adjustable from 0.3 - 1.2 Nm