

## Connector set - HC-KIT-B10-R01 - 1409697


Please be informed that the data shown in this PDF Document is generated from our Online Catalog. Please find the complete data in the user's documentation. Our General Terms of Use for Downloads are valid (<http://phoenixcontact.com/download>)



Connector set, consisting of: B10 sleeve housing and panel mounting base, 10-pos. plug and socket insert, M25 cable gland

RoHS

### Key Commercial Data

Packing unit	1 pc
GTIN	 4 046356 752442
GTIN	4046356752442
Weight per Piece (excluding packing)	500.000 g
Custom tariff number	85366990
Country of origin	Germany

### Technical data

#### Dimensions

Cable diameter	11 mm ... 16 mm
----------------	-----------------

#### General

Number of positions	10+PE
Type	B10
Rated voltage	500 V
Rated current	16 A
Connection method	Screw connection
Cable outlet	straight
Degree of protection for housing	IP65
Connection method	Screw connection
Rated voltage (III/3)	500 V

## Connector set - HC-KIT-B10-R01 - 1409697

### Technical data

#### General

Rated surge voltage	6 kV
Rated current	24 A
Conductor cross section	0.5 mm <sup>2</sup> ... 2.5 mm <sup>2</sup> (applies to stranded conductors with ferrules)
Connection cross section AWG	20 ... 14
External cable diameter	11 mm ... 17 mm
Ambient temperature (operation)	-40 °C ... 100 °C
Length of the assembly cutout	65 mm
Width of the assembly cutout	35 mm
Housing material	Aluminum cast alloy, powder-coated
Contact carrier material	PC
Locking latch material	PA

#### Standards and Regulations

Flammability rating according to UL 94	V0
--	----

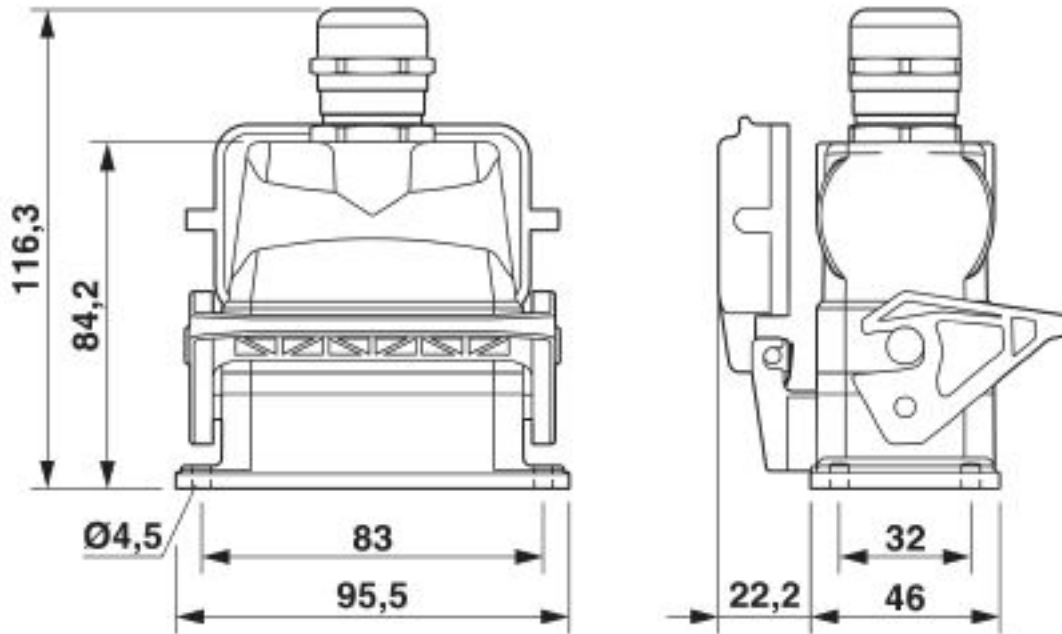
#### Environmental Product Compliance

REACH SVHC	Lead 7439-92-1
China RoHS	Environmentally Friendly Use Period = 50 years
	For details about hazardous substances go to tab "Downloads", Category "Manufacturer's declaration"

### Drawings

## Connector set - HC-KIT-B10-R01 - 1409697

Dimensional drawing



Dimensional drawing

### Articles in set

Cable gland - G-INS-M25-M68N-NNES-S - 1411165



Cable gland, cable gland material: Nickel-plated brass, external cable diameter 11 mm ... 17 mm, shielding: no, connecting thread: M25 x 1.5, color: silver, with O-ring

Contact insert - HC-B 10-I-UT-M - 1648173



HEAVYCON male insert, B10 series, 10-pos., screw connection

## Connector set - HC-KIT-B10-R01 - 1409697

### Articles in set

Housing - HC-B 10-TFL-N-O1STM25G - 1460039



HEAVYCON B10 sleeve housing, for single locking latch, height: 56 mm, with 1 x M25 thread, straight cable outlet

Housing - HC-B 10-AMLD - 1771354



HEAVYCON B10 panel mounting base, with single locking latch, height: 29 mm, with plastic cover, with flat gasket

Contact insert - HC-B 10-I-UT-F - 1648186



HEAVYCON female insert, B10 series, 10-pos., screw connection

### Classifications

#### eCl@ss

eCl@ss 10.0.1	27440101
eCl@ss 4.0	27260700
eCl@ss 4.1	27260700
eCl@ss 5.0	27260700
eCl@ss 5.1	27260700
eCl@ss 6.0	27260700
eCl@ss 7.0	27440101
eCl@ss 8.0	27440101
eCl@ss 9.0	27440101

#### ETIM

ETIM 3.0	EC002310
ETIM 4.0	EC002560

# Connector set - HC-KIT-B10-R01 - 1409697

## Classifications

### ETIM

ETIM 5.0	EC002560
ETIM 6.0	EC002636
ETIM 7.0	EC002636

### UNSPSC

UNSPSC 6.01	30211923
UNSPSC 7.0901	39121522
UNSPSC 11	39121522
UNSPSC 12.01	39121522
UNSPSC 13.2	39121409
UNSPSC 18.0	39121409
UNSPSC 19.0	39121409
UNSPSC 20.0	39121409
UNSPSC 21.0	39121409

## Approvals

### Approvals

---

Approvals

EAC / EAC / EAC


---


Ex Approvals

---

### Approval details

EAC		RU C- DE.AI30.B.01102
-----	---	--------------------------

EAC		EAC-Zulassung
-----	---	---------------

EAC		RU C- DE.BL08.B.00511
-----	---	--------------------------

