

Connector set - HC-KIT-A03-R01 - 1409655

Please be informed that the data shown in this PDF Document is generated from our Online Catalog. Please find the complete data in the user's documentation. Our General Terms of Use for Downloads are valid (<http://phoenixcontact.com/download>)



Connector set, consisting of: D7 sleeve housing and panel mounting base, 3-pos. plug and socket insert, M20 cable gland

RoHS

Key Commercial Data

Packing unit	1 pc
GTIN	 4 046356 752404
GTIN	4046356752404
Custom tariff number	85366990
Country of origin	China

Technical data

Dimensions

Cable diameter	9 mm ... 13 mm
----------------	----------------

General

Number of positions	3+PE
Type	D7
Rated voltage	230 V
Rated current	10 A
Connection method	Screw connection
Cable outlet	straight
Degree of protection for housing	IP65
Connection method	Screw connection
Rated voltage (III/3)	230 V
Rated surge voltage	4 kV

Connector set - HC-KIT-A03-R01 - 1409655

Technical data

General

Rated current	24 A
Conductor cross section	0.5 mm ² ... 2.5 mm ² (applies to stranded conductors with ferrules)
Connection cross section AWG	20 ... 14
External cable diameter	6 mm ... 12 mm
Ambient temperature (operation)	-40 °C ... 100 °C
Length of the assembly cutout	21 mm
Width of the assembly cutout	21 mm
Housing material	Die-cast aluminum, salt water resistant
Contact carrier material	PC
Locking latch material	PA

Standards and Regulations

Flammability rating according to UL 94	V0
--	----

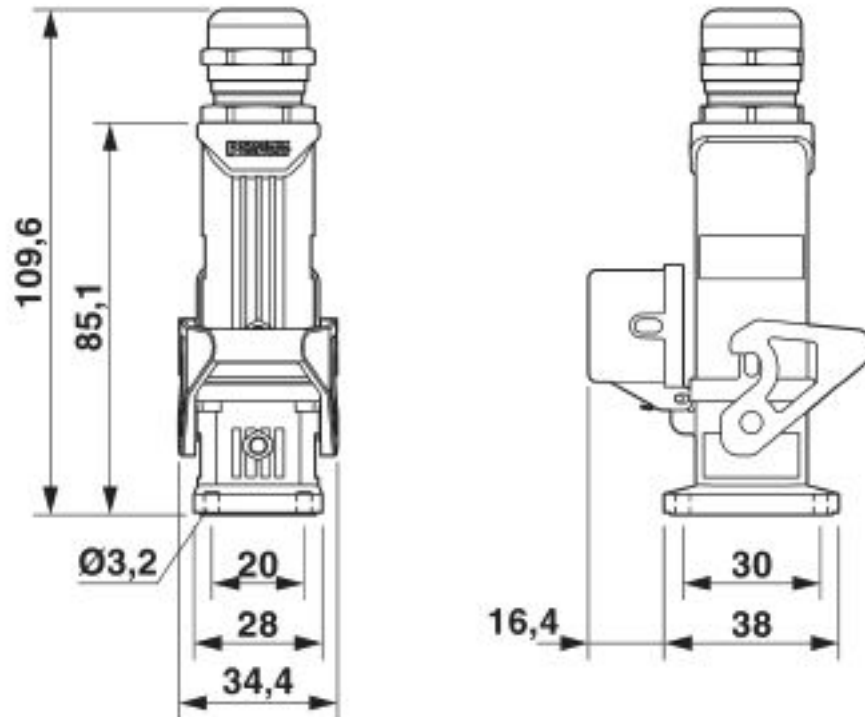
Environmental Product Compliance

REACH SVHC	Lead 7439-92-1
China RoHS	Environmentally Friendly Use Period = 50 years
	For details about hazardous substances go to tab "Downloads", Category "Manufacturer's declaration"

Drawings

Connector set - HC-KIT-A03-R01 - 1409655

Dimensional drawing



Dimensional drawing

Articles in set

Cable gland - G-INS-M20-S68N-NNES-S - 1411163



Cable gland, cable gland material: Nickel-plated brass, external cable diameter 6 mm ... 12 mm, shielding: no, connecting thread: M20 x 1.5, color: silver, with O-ring

Contact insert - HC-A03-I-UT-M - 1585210



Contact insert, number of positions: 3+PE, size: D7, number of connections per position: 1, Pin, Screw connection, 230 V/400 V, 16 A, 0.5 mm² ... 2.5 mm²

Connector set - HC-KIT-A03-R01 - 1409655

Articles in set

Housing - HC-STA-D07-HHFS-1TTM20-EL-AL - 1419229



Sleeve housing D7, for single locking latch, material: Die-cast aluminum, salt water resistant, cable outlets: 1, straight, height: 60.5 mm, cable gland: none, support sleeve: yes, 1x M20, Standard

Housing - HC-STA-D07-BWSCF-EL-AL - 1419251



Panel mounting base D7, with single locking latch, material: Die-cast aluminum, salt water resistant, protective cover material: PA, height: 25.5 mm, cable gland: none, support sleeve: no, protective cover: yes, Standard, for socket inserts

Contact insert - HC-A03-I-UT-F - 1585223



Contact insert, number of positions: 3+PE, size: D7, number of connections per position: 1, Socket, Screw connection, 230 V/400 V, 16 A, 0.5 mm² ... 2.5 mm²

Classifications

eCl@ss

eCl@ss 10.0.1	27440101
eCl@ss 4.0	27260700
eCl@ss 4.1	27260700
eCl@ss 5.0	27260700
eCl@ss 5.1	27260700
eCl@ss 6.0	27260700
eCl@ss 7.0	27440101
eCl@ss 8.0	27440101
eCl@ss 9.0	27440101

ETIM

ETIM 3.0	EC002310
ETIM 4.0	EC002560

Connector set - HC-KIT-A03-R01 - 1409655

Classifications

ETIM

ETIM 5.0	EC002560
ETIM 6.0	EC002636
ETIM 7.0	EC002636

UNSPSC

UNSPSC 6.01	30211923
UNSPSC 7.0901	39121522
UNSPSC 11	39121522
UNSPSC 12.01	39121522
UNSPSC 13.2	39121409
UNSPSC 18.0	39121409
UNSPSC 19.0	39121409
UNSPSC 20.0	39121409
UNSPSC 21.0	39121409

Approvals

Approvals


Approvals

EAC / EAC / EAC

Ex Approvals

Approval details

EAC		RU C- DE.AI30.B.01102
-----	---	--------------------------

EAC		EAC-Zulassung
-----	---	---------------

EAC		RU C- DE.BL08.B.00511
-----	---	--------------------------

