

## Device connector, rear mounting - PRC 5-FT25-MC6-150 - 1409213

Please be informed that the data shown in this PDF Document is generated from our Online Catalog. Please find the complete data in the user's documentation. Our General Terms of Use for Downloads are valid (<http://phoenixcontact.com/download>)



Circular connectors (device-side), Range of articles: PRC, Device connector, rear mounting, housing material: PPE, color: black, number of positions: 5, max. conductor cross section: 6 mm<sup>2</sup>, nom. voltage: 690 V AC, rated current: 35 A, Connection method: Crimp connection, Type of contact: Pin, cable length: 150

### Your advantages

- ✓ Up to 75% smaller in size than industrial connectors with the same rating
- ✓ Locking mechanism can be unlocked manually or using a tool
- ✓ Ideal for indoor and outdoor use due to weatherproof materials
- ✓ Either pre-assembled or for assembly



### Key Commercial Data

Packing unit	1 pc
Minimum order quantity	10 pc
GTIN	 4 046356 864329
GTIN	4046356864329
Weight per Piece (excluding packing)	76.000 g
Custom tariff number	85444290
Country of origin	Poland

### Technical data

#### General data

Number of positions	5
Protection class	II
Color	black
Locking type	Snap-in locking
Insertion/withdrawal cycles	100

## Device connector, rear mounting - PRC 5-FT25-MC6-150 - 1409213

### Technical data

#### General data

Pull-out-force	175 N ± 50 N
Insertion force	40 N ± 10 N
Degree of protection (not plugged in)	IP65 (Lengthwise waterproofing)
Degree of protection (when plugged in)	IP66 / IP68 (2m / 24h) / IP69K
Width	35 mm
Height	35 mm
Length	29.5 mm

#### Connection data

Rated current	35 A (With 6 mm <sup>2</sup> conductor cross section in accordance with IEC 61984)
	32 A (With 6 mm <sup>2</sup> conductor cross section in accordance with IEC 61535)
	21.4 A (With 6 mm <sup>2</sup> conductor cross section and 85 °C in accordance with 2 PfG 1915)
	30 A (With 6 mm <sup>2</sup> /AWG 10, in accordance with UL 2238)
Nominal voltage ATD	690 V AC (in accordance with IEC 61984)
	500 V AC (in accordance with IEC 61535/2 PfG 1915)
	600 V AC (In accordance with UL 2238)
Rated voltage (III/2)	690 V
Torque	2.5 Nm ± 0.1 Nm (Tightening torque nut)
Wrench size, union nut	32 mm
Type of contact	Pin
Conductor cross section flexible max.	6 mm <sup>2</sup>
Connection method	Crimp connection
Degree of protection	IP66 / IP68 (2m / 24h) / IP69K
Fixed cable length	150 mm
Single wire, material	PVC
Insertion force	40 N ± 10 N
Conductor cross section	6 mm <sup>2</sup>
Overvoltage category	III
Insulating material group	I / CTI600
Pull-out-force	175 N ± 50 N

#### Material data

Contact material	Cu alloy
Contact surface material	Ag
Contact carrier material	PPE
Housing material	PPE
Seal material	EPDM
O-ring material	Silicon

## Device connector, rear mounting - PRC 5-FT25-MC6-150 - 1409213

### Technical data

#### Material data

Cable gland material	PPE
Color of the housing part	black

#### Conductor data

Fixed cable length	150 mm
Single wire, material	PVC
Single wire, color	blue, black, gray, brown, green/yellow
Wire diameter incl. insulation	4.8 mm ±0.15 mm
Fixed cable length	150 mm
Cable cross section	6 mm <sup>2</sup>
Single wire, material	PVC

#### Standards and Regulations

Flammability rating according to UL 94	V0
Safety note	<ul style="list-style-type: none"> <li>• WARNING: Commission properly functioning products only. The products must be regularly inspected for damage. Decommission defective products immediately. Replace damaged products. Repairs are not possible.</li> <li>• WARNING: Only electrically qualified personnel may install and operate the product. They must observe the following safety notes. The qualified personnel must be familiar with the basics of electrical engineering. They must be able to recognize and prevent danger. The relevant symbol on the packaging indicates that only personnel familiar with electrical engineering are allowed to install and operate the product.</li> <li>• WARNING: The connectors may not be plugged in or disconnected under load. Ignoring the warning or improper use may damage persons and/or property.</li> <li>• Assembled products may not be manipulated or improperly opened.</li> <li>• Only use mating connectors that are specified in the technical data of the standards listed (e.g. the ones listed in the product accessories online at <a href="https://www.phoenixcontact.com/products">phoenixcontact.com/products</a>).</li> <li>• When using the product in direct connection with third-party manufacturers, the user is responsible.</li> <li>• For operating voltages &gt; 50 V AC, conductive connector housings must be grounded</li> <li>• Ensure that the protective or functional ground has been properly connected.</li> <li>• VDE 0100/1.97 § 411.1.3.2 and DIN EN 60 204/11.98 § 14.1.3 are applicable when combining several circuits in a cable and/or connector</li> <li>• Observe the corresponding technical data. You will find information: <ul style="list-style-type: none"> <li>o On the product</li> <li>o On the packing label</li> <li>o In the supplied documentation</li> <li>o Online at <a href="https://www.phoenixcontact.com/products">phoenixcontact.com/products</a> under the product</li> </ul> </li> <li>• Only use tools recommended by Phoenix Contact</li> </ul>

## Device connector, rear mounting - PRC 5-FT25-MC6-150 - 1409213

### Technical data

#### Standards and Regulations

	<ul style="list-style-type: none"> <li>The installation notes/Design In documents online on the download page at phoenixcontact.com/products must be observed for this product.</li> </ul>
	<ul style="list-style-type: none"> <li>Use a protective cap to protect connectors that are not in use. The suitable accessories are available online in the accessory section of the product at phoenixcontact.com/products</li> </ul>
	<ul style="list-style-type: none"> <li>Operate the connector only when it is fully plugged in.</li> </ul>
	<ul style="list-style-type: none"> <li>Operate the connector only when it is fully plugged in and interlocked.</li> </ul>
	<ul style="list-style-type: none"> <li>Ensure that when laying the cable, the tensile load on the connectors does not exceed the upper limit specified in the standards.</li> </ul>
	<ul style="list-style-type: none"> <li>Observe the minimum bending radius of the cable. Lay the cable without twisting it.</li> </ul>
	<ul style="list-style-type: none"> <li>The connector warms up in normal operation. Depending on the ambient conditions, the surface of the connector can continue to warm up. In this case, the user is responsible for posting warnings (e.g. DIN EN ISO 13732-1:2008-12).</li> </ul>

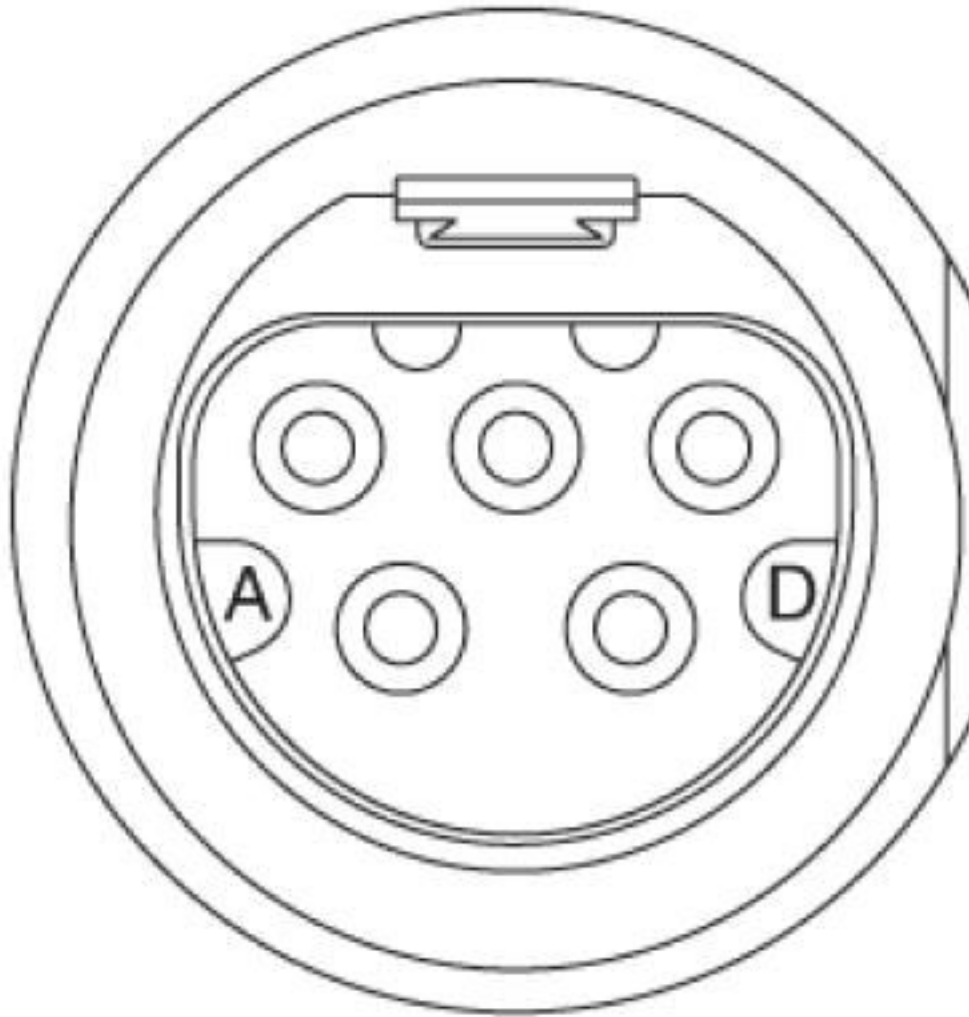
#### Environmental Product Compliance

REACH SVHC	Lead 7439-92-1
China RoHS	Environmentally Friendly Use Period = 50 years
	For details about hazardous substances go to tab "Downloads", Category "Manufacturer's declaration"

### Drawings

# Device connector, rear mounting - PRC 5-FT25-MC6-150 - 1409213

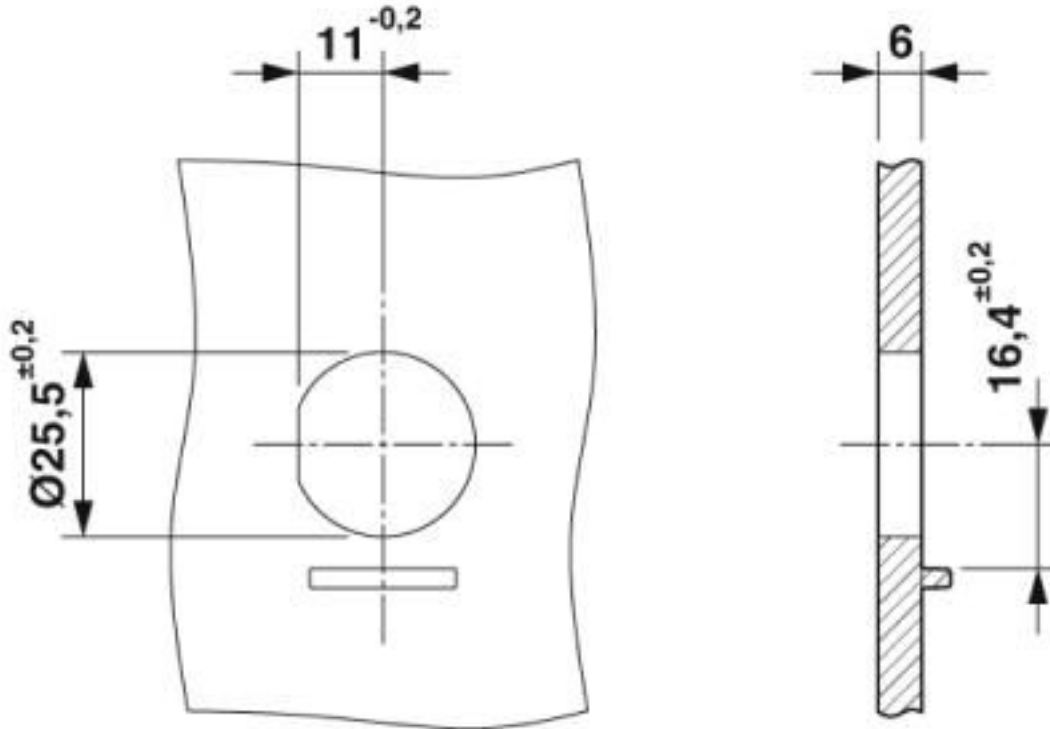
Schematic diagram



Connector pin assignment

# Device connector, rear mounting - PRC 5-FT25-MC6-150 - 1409213

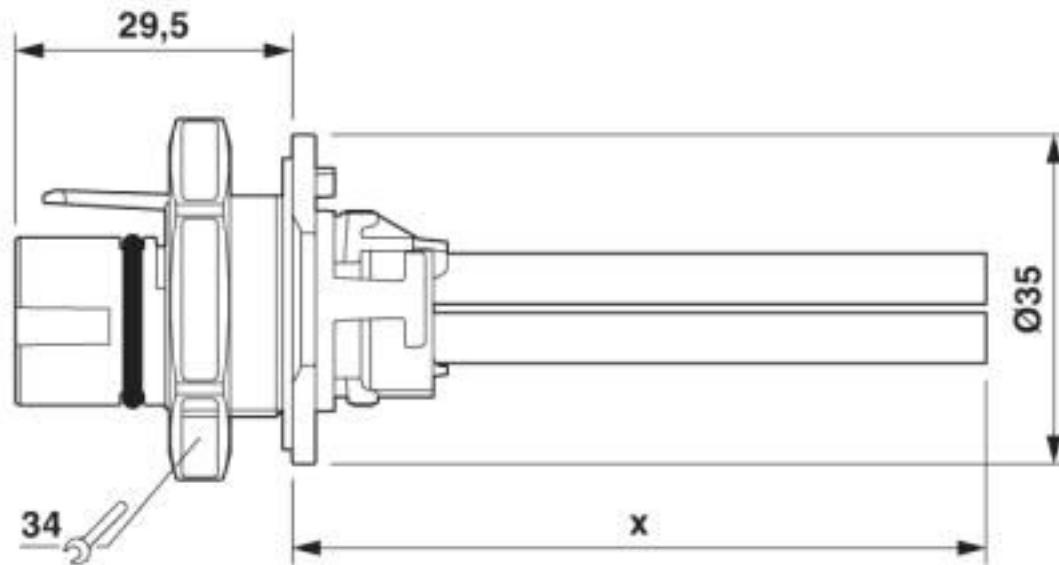
Dimensional drawing



Housing cutout

## Device connector, rear mounting - PRC 5-FT25-MC6-150 - 1409213

Dimensional drawing



Dimensional drawing

### Classifications

#### eCl@ss

eCl@ss 10.0.1	27440103
eCl@ss 4.0	27260700
eCl@ss 4.1	27260700
eCl@ss 5.0	27260700
eCl@ss 5.1	27260700
eCl@ss 6.0	27260700
eCl@ss 7.0	27440102
eCl@ss 8.0	27440102
eCl@ss 9.0	27440103

#### ETIM

ETIM 4.0	EC002061
ETIM 5.0	EC002061
ETIM 6.0	EC002061

#### UNSPSC

UNSPSC 6.01	30211923
UNSPSC 7.0901	39121522
UNSPSC 11	39121522

# Device connector, rear mounting - PRC 5-FT25-MC6-150 - 1409213

## Classifications

### UNSPSC

UNSPSC 12.01	39121522
UNSPSC 13.2	39121413
UNSPSC 18.0	39121413
UNSPSC 19.0	39121413
UNSPSC 20.0	39121413
UNSPSC 21.0	39121413

## Approvals

### Approvals

#### Approvals

EAC / DNV GL / UL Listed / cUL Listed / TÜV Rheinland / TÜV Rheinland / TÜV Rheinland / cULus Listed

#### Ex Approvals

### Approval details

EAC		B.01687
-----	---	---------

DNV GL		<a href="https://approvalfinder.dnvgl.com/">https://approvalfinder.dnvgl.com/</a>	TAE00002KM
--------	---	---	------------

UL Listed		<a href="http://database.ul.com/cgi-bin/XYV/template/LISEXT/1FRAME/index.htm">http://database.ul.com/cgi-bin/XYV/template/LISEXT/1FRAME/index.htm</a>	E221474-20150513
-----------	---	---	------------------

Nominal voltage UN	600 V
Nominal current IN	30 A
mm <sup>2</sup> /AWG/kcmil	14-10



# Device connector, rear mounting - PRC 5-FT25-MC6-150 - 1409213

## Approvals

cUL Listed		<a href="http://database.ul.com/cgi-bin/XYV/template/LISEXT/1FRAME/index.htm">http://database.ul.com/cgi-bin/XYV/template/LISEXT/1FRAME/index.htm</a>	E221474-20150513
Nominal voltage UN		600 V	
Nominal current IN		30 A	
mm <sup>2</sup> /AWG/kcmil		14-10	

TÜV Rheinland		<a href="http://www.certipedia.com">http://www.certipedia.com</a>	R 60117908
---------------	--	---	------------

TÜV Rheinland		<a href="http://www.certipedia.com">http://www.certipedia.com</a>	R 60117904-0002
Nominal voltage UN		690 V	
Nominal current IN		35 A	
mm <sup>2</sup> /AWG/kcmil		6	

TÜV Rheinland		<a href="http://www.certipedia.com">http://www.certipedia.com</a>	R 60117904-0001
---------------	--	---	-----------------

cULus Listed			
--------------	--	--	--

## Accessories

### Accessories

#### Protective cover

Protective cap - PRC COVER M - 1409237



Protective cover, Range of articles: PRC, Protective cap, housing material: PPE, color: black. Suitable for connectors (MS)

## Device connector, rear mounting - PRC 5-FT25-MC6-150 - 1409213

### Accessories

---

---

Phoenix Contact 2020 © - all rights reserved  
<http://www.phoenixcontact.com>