

Device connector, rear mounting - PRC 5-FT25-MC - 1409206

Please be informed that the data shown in this PDF Document is generated from our Online Catalog. Please find the complete data in the user's documentation. Our General Terms of Use for Downloads are valid (<http://phoenixcontact.com/download>)



Circular connectors (device-side), Range of articles: PRC, Device connector, rear mounting, housing material: PPE, color: black, number of positions: 5, nom. voltage: 690 V AC, rated current: 35 A, Connection method: Crimp connection, Type of contact: Pin

Your advantages

- ✓ Up to 75% smaller in size than industrial connectors with the same rating
- ✓ Locking mechanism can be unlocked manually or using a tool
- ✓ Ideal for indoor and outdoor use due to weatherproof materials
- ✓ Either pre-assembled or for assembly



Key Commercial Data

Packing unit	1 pc
Minimum order quantity	50 pc
GTIN	 4 046356 864350
GTIN	4046356864350
Weight per Piece (excluding packing)	7.000 g
Custom tariff number	85389099
Country of origin	Poland

Technical data

General data

Number of positions	5
Protection class	II
Color	black
Locking type	Snap-in locking
Insertion/withdrawal cycles	50

Device connector, rear mounting - PRC 5-FT25-MC - 1409206

Technical data

General data

Insertion force	40 N ±10 N
Degree of protection (not plugged in)	IP65 (Longitudinal watertightness, only in conjunction with contacts from the accessories range)
Degree of protection (when plugged in)	IP66 / IP68 (2m / 24h) / IP69K
Width	35 mm
Height	46.6 mm
Length	35 mm

Connection data

Rated current	35 A (With 6 mm ² conductor cross section in accordance with IEC 61984)
	32 A (With 6 mm ² conductor cross section in accordance with IEC 61535)
	21.4 A (With 6 mm ² conductor cross section and 85 °C in accordance with 2 PFG 1915)
	30 A (With 6 mm ² /AWG 10, in accordance with UL 2238)
Nominal voltage ATD	690 V AC (in accordance with IEC 61984)
	500 V AC (in accordance with IEC 61535/2 PFG 1915)
	600 V AC (In accordance with UL 2238)
Rated voltage (III/2)	690 V
Stripping length	12 mm
Torque	2.5 Nm ±0.1 Nm (Tightening torque nut)
Wrench size, union nut	32 mm
Type of contact	Pin
Stripping length of the sheath	12 mm
Connection method	Crimp connection
Degree of protection	IP66 / IP68 (2m / 24h) / IP69K
Insertion force	40 N ±10 N
Stripping length of the individual wire	12 mm
Overvoltage category	III
Insulating material group	I

Material data

Contact carrier material	PPE
Housing material	PPE
Seal material	EPDM
O-ring material	Silicon
Cable gland material	PPE
Color of the housing part	black

Standards and Regulations

Flammability rating according to UL 94	V0
--	----

Device connector, rear mounting - PRC 5-FT25-MC - 1409206

Technical data

Standards and Regulations

Safety note	<ul style="list-style-type: none"> • WARNING: Commission properly functioning products only. The products must be regularly inspected for damage. Decommission defective products immediately. Replace damaged products. Repairs are not possible.
	<ul style="list-style-type: none"> • WARNING: Only electrically qualified personnel may install and operate the product. They must observe the following safety notes. The qualified personnel must be familiar with the basics of electrical engineering. They must be able to recognize and prevent danger. The relevant symbol on the packaging indicates that only personnel familiar with electrical engineering are allowed to install and operate the product.
	<p>WARNING: The connectors may not be plugged in or disconnected under load. Ignoring the warning or improper use may damage persons and/or property.</p>
	<ul style="list-style-type: none"> • Assembled products may not be manipulated or improperly opened.
	<ul style="list-style-type: none"> • Only use mating connectors that are specified in the technical data of the standards listed (e.g. the ones listed in the product accessories online at phoenixcontact.com/products).
	<ul style="list-style-type: none"> • When using the product in direct connection with third-party manufacturers, the user is responsible.
	<ul style="list-style-type: none"> • For operating voltages > 50 V AC, conductive connector housings must be grounded
	<ul style="list-style-type: none"> • Ensure that the protective or functional ground has been properly connected.
	<ul style="list-style-type: none"> • VDE 0100/1.97 § 411.1.3.2 and DIN EN 60 204/11.98 § 14.1.3 are applicable when combining several circuits in a cable and/or connector
	<ul style="list-style-type: none"> • Observe the corresponding technical data. You will find information: <ul style="list-style-type: none"> o On the product o On the packing label o In the supplied documentation o Online at phoenixcontact.com/products under the product
	<ul style="list-style-type: none"> • Only use tools recommended by Phoenix Contact
	<ul style="list-style-type: none"> • The installation notes/Design In documents online on the download page at phoenixcontact.com/products must be observed for this product.
	<ul style="list-style-type: none"> • Use a protective cap to protect connectors that are not in use. The suitable accessories are available online in the accessory section of the product at phoenixcontact.com/products
	<ul style="list-style-type: none"> • Operate the connector only when it is fully plugged in.
	<ul style="list-style-type: none"> • Operate the connector only when it is fully plugged in and interlocked.
	<ul style="list-style-type: none"> • Ensure that when laying the cable, the tensile load on the connectors does not exceed the upper limit specified in the standards.
	<ul style="list-style-type: none"> • Observe the minimum bending radius of the cable. Lay the cable without twisting it.
	<ul style="list-style-type: none"> • The connector warms up in normal operation. Depending on the ambient conditions, the surface of the connector can continue to warm up. In this case, the user is responsible for posting warnings (e.g. DIN EN ISO 13732-1:2008-12).

Environmental Product Compliance

Device connector, rear mounting - PRC 5-FT25-MC - 1409206

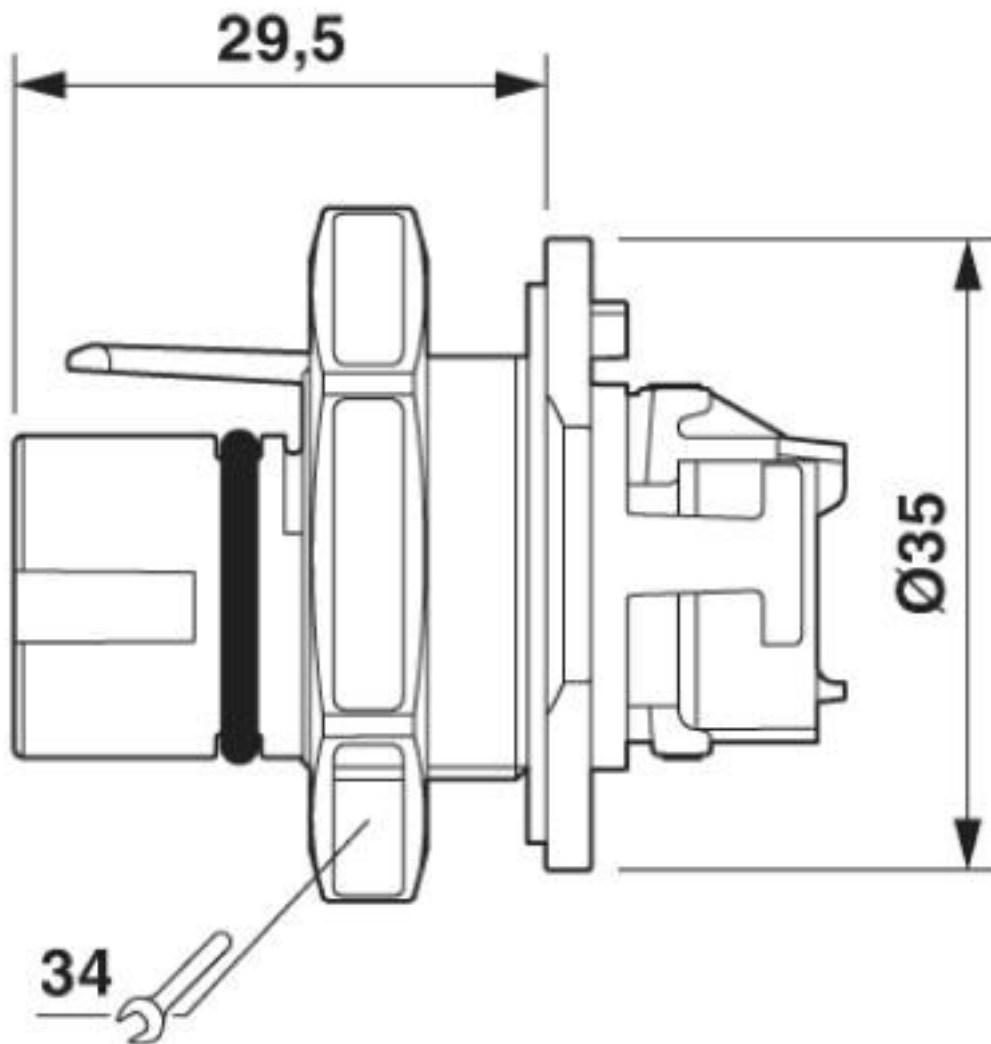
Technical data

Environmental Product Compliance

China RoHS	Environmentally friendly use period: unlimited = EFUP-e
	No hazardous substances above threshold values

Drawings

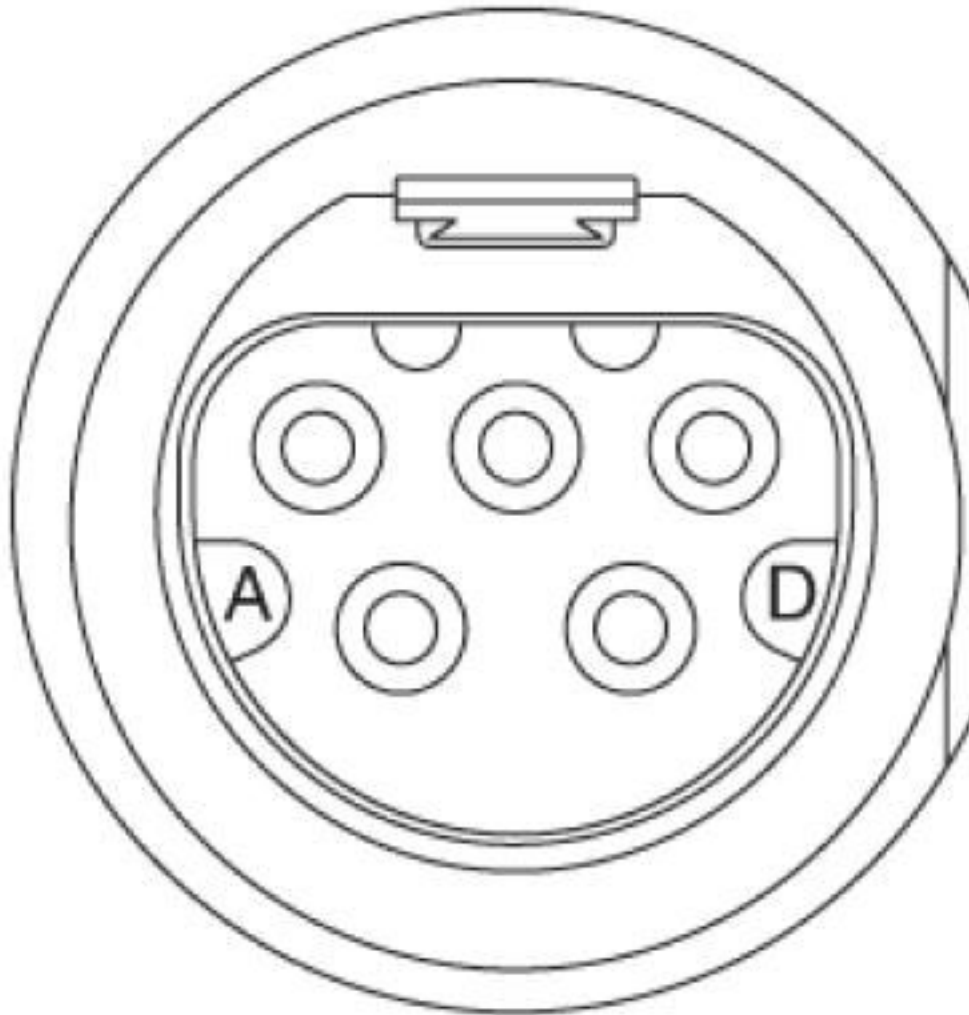
Dimensional drawing



Dimensional drawing

Device connector, rear mounting - PRC 5-FT25-MC - 1409206

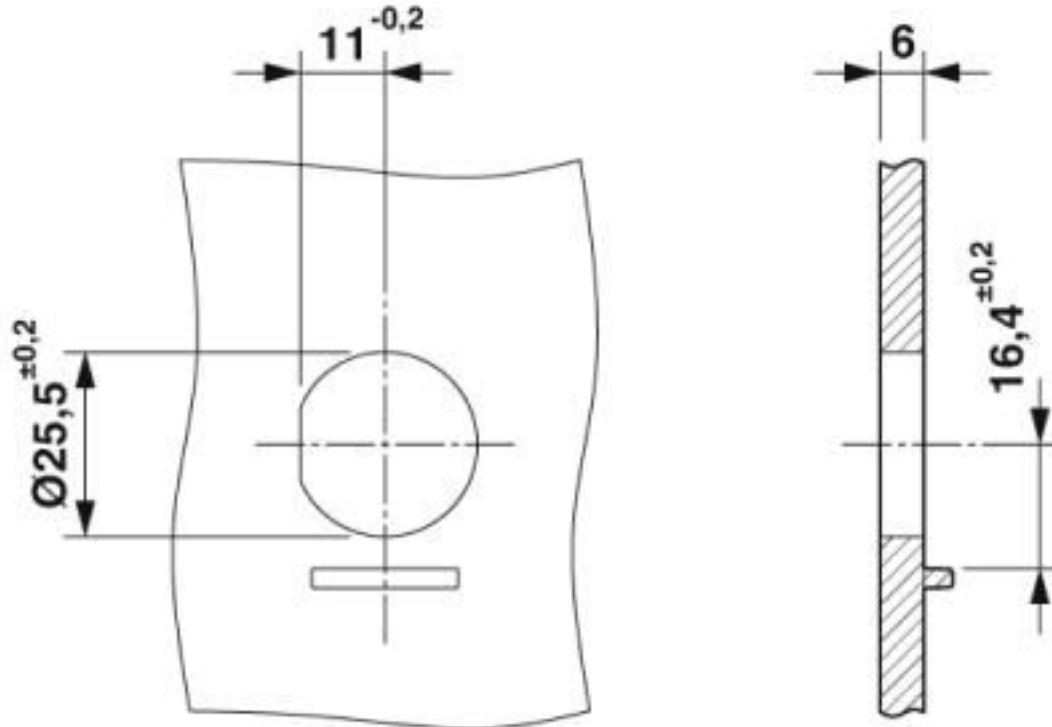
Schematic diagram



Connector pin assignment

Device connector, rear mounting - PRC 5-FT25-MC - 1409206

Dimensional drawing



Housing cutout

Classifications

eCl@ss

eCl@ss 10.0.1	27440109
eCl@ss 4.0	27260700
eCl@ss 4.1	27260700
eCl@ss 5.0	27260700
eCl@ss 5.1	27260700
eCl@ss 6.0	27260700
eCl@ss 7.0	27440102
eCl@ss 8.0	27440102
eCl@ss 9.0	27440103

ETIM

ETIM 4.0	EC002061
ETIM 5.0	EC002061
ETIM 6.0	EC002061

Device connector, rear mounting - PRC 5-FT25-MC - 1409206

Classifications

UNSPSC

UNSPSC 6.01	30211923
UNSPSC 7.0901	39121522
UNSPSC 11	39121522
UNSPSC 12.01	39121522
UNSPSC 13.2	39121413
UNSPSC 18.0	39121413
UNSPSC 19.0	39121413
UNSPSC 20.0	39121413
UNSPSC 21.0	39121413

Approvals

Approvals

Approvals

EAC / DNV GL / UL Listed / cUL Listed / TÜV Rheinland / TÜV Rheinland / TÜV Rheinland / cULus Listed

Ex Approvals

Approval details

EAC		B.01687
-----	--	---------

DNV GL		https://approvalfinder.dnvgl.com/	TAE00002KM
--------	--	---	------------

UL Listed		http://database.ul.com/cgi-bin/XYV/template/LISEXT/1FRAME/index.htm	E221474-20150513
-----------	--	---	------------------

Nominal voltage UN	600 V
Nominal current IN	30 A
mm ² /AWG/kcmil	14-10

Device connector, rear mounting - PRC 5-FT25-MC - 1409206

Approvals

cUL Listed		http://database.ul.com/cgi-bin/XYV/template/LISEXT/1FRAME/index.htm	E221474-20150513
Nominal voltage UN		600 V	
Nominal current IN		30 A	
mm ² /AWG/kcmil		14-10	

TÜV Rheinland		http://www.certipedia.com	R 60117908
---------------	--	---	------------

TÜV Rheinland		http://www.certipedia.com	R 60117904-0002
Nominal voltage UN		690 V	
Nominal current IN		35 A	
mm ² /AWG/kcmil		6	

TÜV Rheinland		http://www.certipedia.com	R 60117904-0001
---------------	--	---	-----------------

cULus Listed			
--------------	--	--	--

Accessories

Accessories

Circular connector (cable-side)

Crimp contact - CK2,5-M-2,5 AG - 1409207



Circular connectors (cable-side), Range of articles: PRC, Crimp contact, max. conductor cross section: 2.5 mm², Connection method: Crimp connection, Type of contact: Pin. Crimping recommendation: Crimp the conductors with the crimp contact in accordance with DIN EN 60352-2.

Device connector, rear mounting - PRC 5-FT25-MC - 1409206

Accessories

Crimp contact - CK2,5-M-4 AG - 1409208



Circular connectors (cable-side), Range of articles: PRC, Crimp contact, max. conductor cross section: 4 mm², Connection method: Crimp connection, Type of contact: Pin. Crimp the wire with the crimp contact in accordance with DIN EN 60352-2

Crimp contact - CK2,5-M-6 AG - 1409209



Circular connectors (cable-side), Range of articles: PRC, Crimp contact, max. conductor cross section: 6 mm², Connection method: Crimp connection, Type of contact: Pin. Crimp the wire with the crimp contact in accordance with DIN EN 60352-2

Crimping tool

Crimping pliers - CRIMPFOX-1,6/2,5-ED-4,0 - 1687419



Crimping pliers, for turned contacts, CK 1.6 ED... and CK 2.5 ED...

Crimping pliers - CRIMPFOX-4,0-ED-6,00 - 1205859



Crimping pliers, for CK 4,0... contacts, for 4.0 - 6.0 mm² conductor cross sections

Protective cover

Device connector, rear mounting - PRC 5-FT25-MC - 1409206

Accessories

Protective cap - PRC COVER M - 1409237



Protective cover, Range of articles: PRC, Protective cap, housing material: PPE, color: black. Suitable for connectors (MS)

Screwdriver tools

Screwdriver - SZF 1-0,6X3,5 - 1204517



Actuation tool, for ST terminal blocks, also suitable for use as a bladed screwdriver, size: 0.6 x 3.5 x 100 mm, 2-component grip, with non-slip grip

Screwdriver - SZF 0-0,4X2,5 - 1204504



Actuation tool, for ST terminal blocks, also suitable for use as a bladed screwdriver, size: 0.4 x 2.5 x 75 mm, 2-component grip, with non-slip grip
