

## Panel mounting frame set - CUC-V06-F1PBK-S/UBA/UBB - 1409117


Please be informed that the data shown in this PDF Document is generated from our Online Catalog. Please find the complete data in the user's documentation. Our General Terms of Use for Downloads are valid (<http://phoenixcontact.com/download>)



Panel mounting frame set



### Key Commercial Data

Packing unit	1
GTIN	 4 046356 862219
GTIN	4046356862219
Custom tariff number	85366990

### Technical data

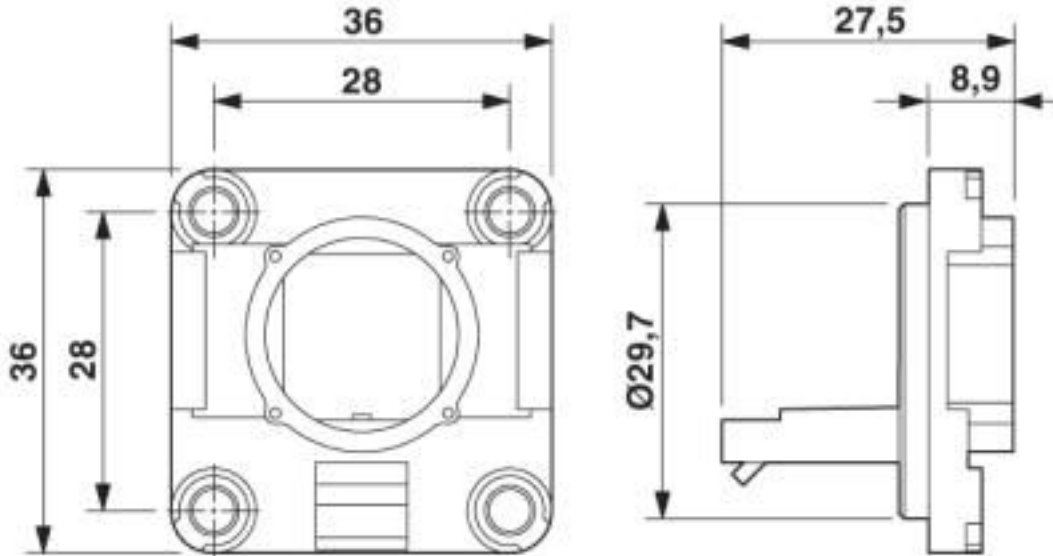
#### Environmental Product Compliance

China RoHS	Environmentally friendly use period: unlimited = EFUP-e
	No hazardous substances above threshold values

### Drawings

# Panel mounting frame set - CUC-V06-F1PBK-S/UBA/UBB - 1409117

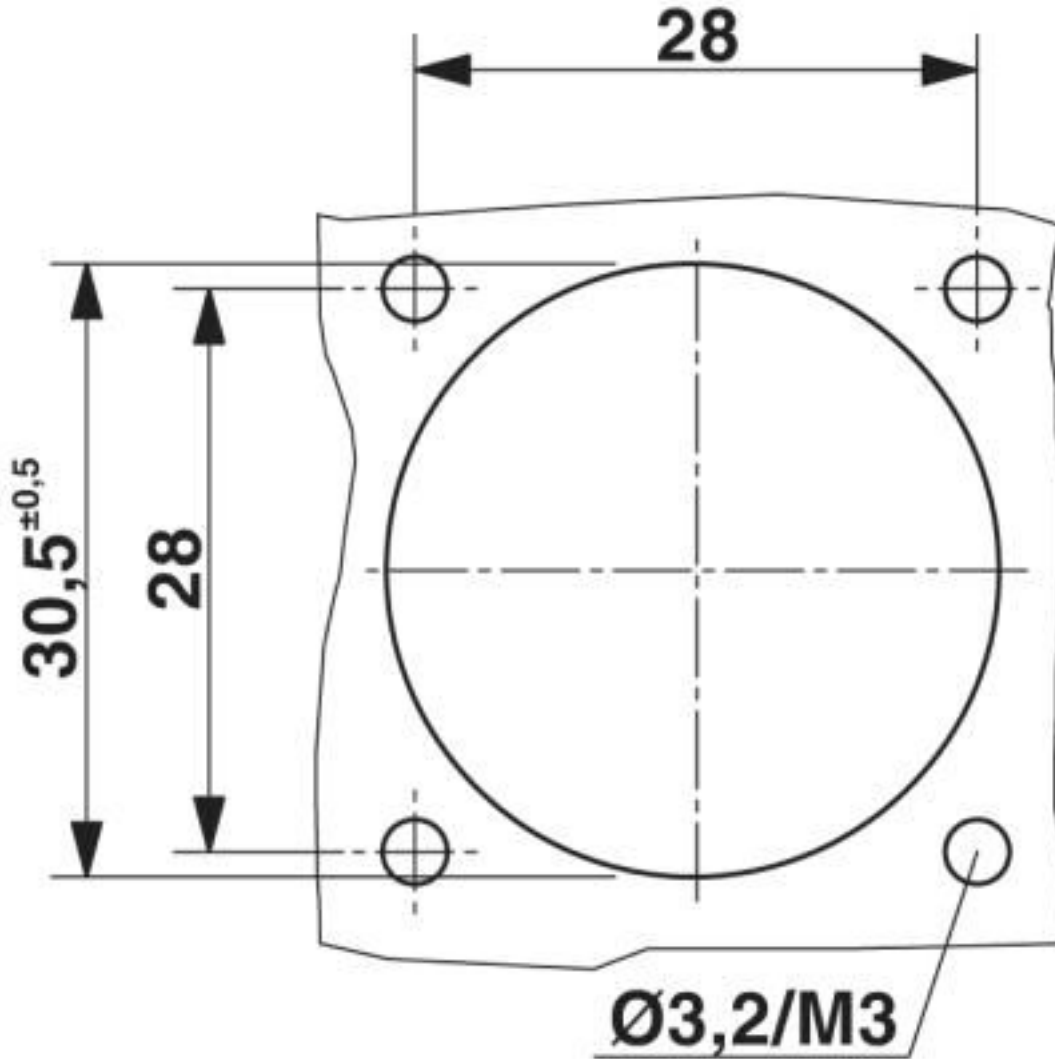
Dimensional drawing



Panel mounting frame for Freenet system

# Panel mounting frame set - CUC-V06-F1PBK-S/UBA/UBB - 1409117

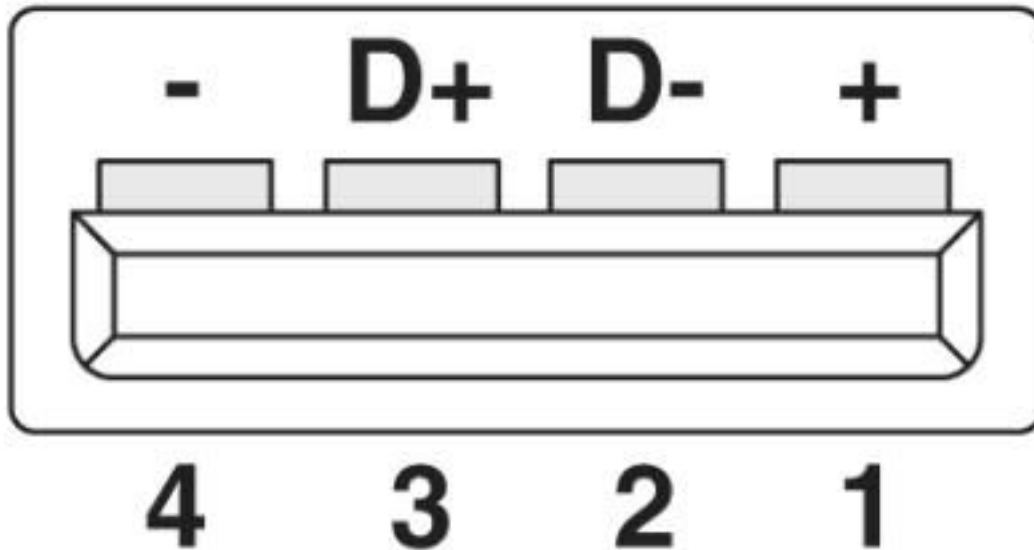
Dimensional drawing



Mounting cutout

## Panel mounting frame set - CUC-V06-F1PBK-S/UBA/UBB - 1409117

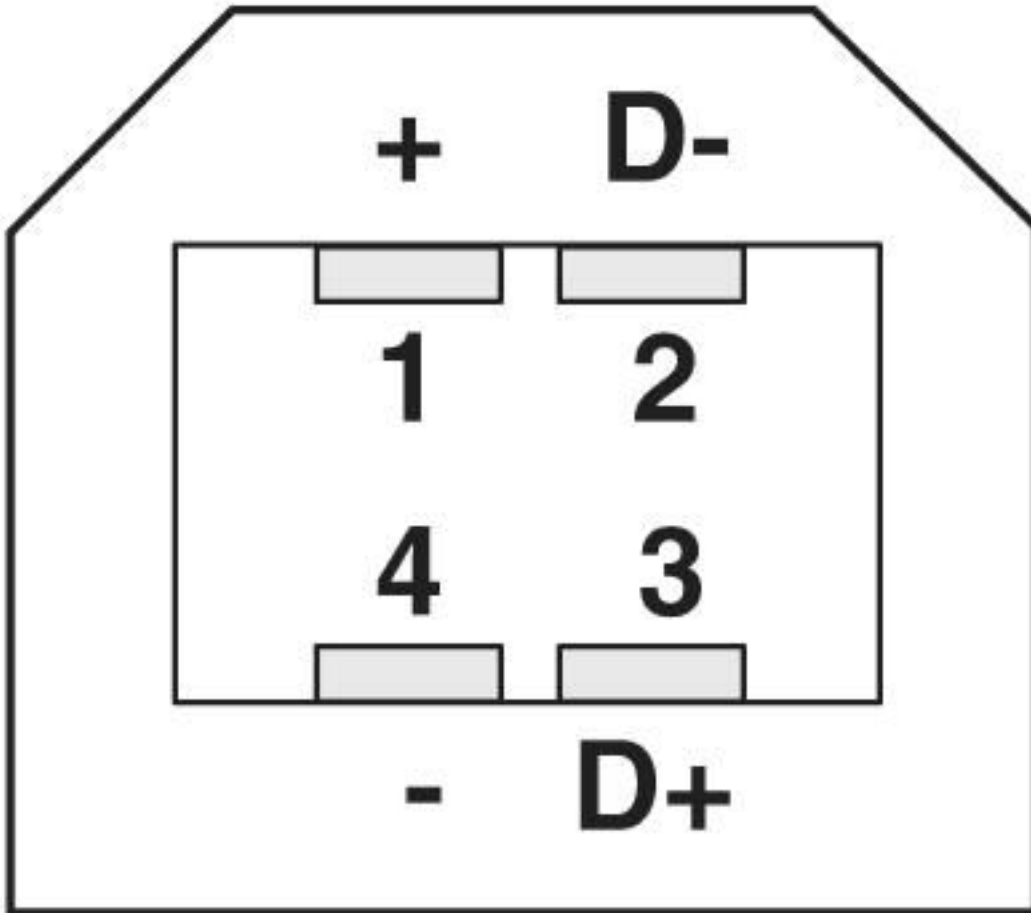
Schematic diagram



Pin assignment socket USB, type A

# Panel mounting frame set - CUC-V06-F1PBK-S/UBA/UBB - 1409117

Schematic diagram



Pin assignment socket USB, type B

## Classifications

eCl@ss

eCl@ss 10.0.1	27440210
eCl@ss 4.0	27060300
eCl@ss 4.1	27060300
eCl@ss 5.0	27061800
eCl@ss 5.1	27061800
eCl@ss 6.0	27261200
eCl@ss 7.0	27440210
eCl@ss 8.0	27440210

## Panel mounting frame set - CUC-V06-F1PBK-S/UBA/UBB - 1409117

### Classifications

#### eCl@ss

eCl@ss 9.0	27440210
------------	----------

#### ETIM

ETIM 4.0	EC002310
ETIM 5.0	EC002310
ETIM 6.0	EC002310
ETIM 7.0	EC002310

#### UNSPSC

UNSPSC 6.01	31251501
UNSPSC 7.0901	31251501
UNSPSC 11	31251501
UNSPSC 12.01	31251501
UNSPSC 13.2	39121421
UNSPSC 18.0	39121421
UNSPSC 19.0	39121421
UNSPSC 20.0	39121421
UNSPSC 21.0	39121421