

## Connector set - HC-EVO-B10PT-BWSC-HL-M25-PLRBK - 1408791

Please be informed that the data shown in this PDF Document is generated from our Online Catalog. Please find the complete data in the user's documentation. Our General Terms of Use for Downloads are valid (<http://phoenixcontact.com/download>)



EVO connector set, B10 series, plastic housing, consisting of sleeve housing, panel mounting base, push-in contact inserts: 1407729, 1407730, 1407633, 1407626, 1407670

### Your advantages

- ✓ Lower costs than metal version
- ✓ Labeling option using 9 x 20 mm marking label
- ✓ Low weight
- ✓ Lower risk of condensation
- ✓ Both contact insert PE sheets are connected by means of a metal frame integrated in the sleeve housing
- ✓ Metal inlays ensure leading PE contact with angled plugs
- ✓ Completely corrosion-resistant
- ✓ Halogen-free plastic
- ✓ Marking label can be attached



### Key Commercial Data

|                                      |   |
|--------------------------------------|---|
| Packing unit                         | 1 pc  |
| GTIN                                 | <br>4 046356 834094 |
| GTIN                                 | 4046356834094   |
| Weight per Piece (excluding packing) | 400.000 g   |
| Custom tariff number                 | 85366990  |
| Country of origin                    | Poland  |

### Technical data

#### General

|                     |       |
|---------------------|-------|
| Number of positions | 10+PE |
|---------------------|-------|

# Connector set - HC-EVO-B10PT-BWSC-HL-M25-PLRBK - 1408791

## Technical data

### General

|                                  |   |
|----------------------------------|---|
| Type                             | B10   |
| Connection method                | Push-in connection  |
| Cable outlet                     | straight  |
|                                  | lateral   |
| Degree of protection for housing | IP66  |
|                                  | 12 (UL 50e)   |
| Connection method                | Push-in connection  |
| Rated voltage (III/3)            | 500 V   |
| Rated surge voltage              | 6 kV  |
| Rated current                    | 16 A  |
| Conductor cross section          | 0.14 mm <sup>2</sup> ... 2.5 mm <sup>2</sup> (with ferrule) |
| Connection cross section AWG     | 26 ... 14 (with ferrule)                                    |
| External cable diameter          | 9 mm ... 17 mm  |
| Ambient temperature (operation)  | -40 °C ... 100 °C   |
| Length of the assembly cutout    | 65 mm   |
| Width of the assembly cutout     | 35 mm   |
| Housing material                 | PA  |
| Contact carrier material         | PA  |
| Locking latch material           | PA  |
| Integrated protective cover      | Yes   |

### Standards and Regulations

|  |    |
|--|----|
| Flammability rating according to UL 94 | V0 |
|--|----|

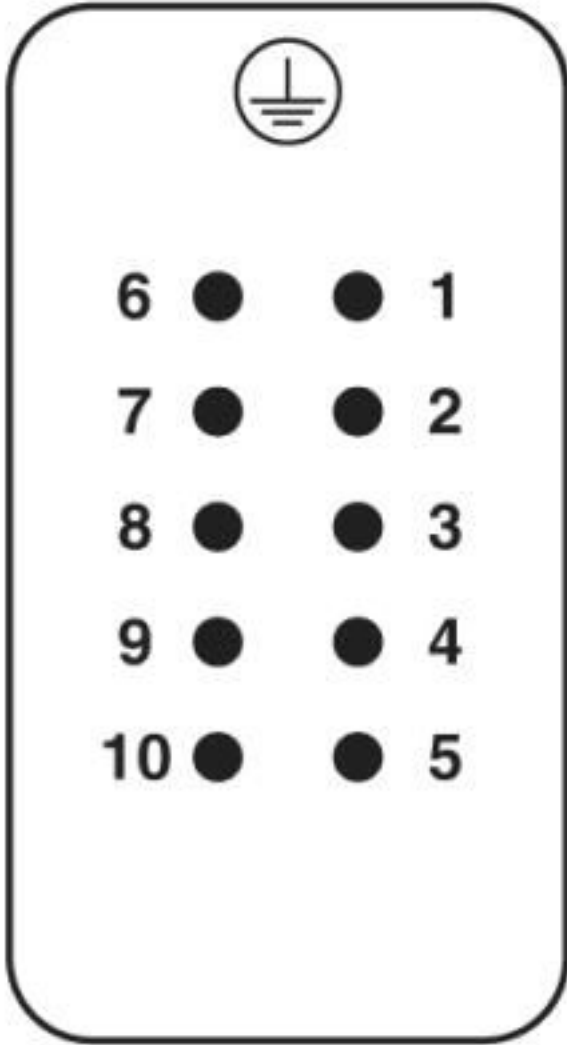
### Environmental Product Compliance

|            |   |
|------------|---|
| China RoHS | Environmentally friendly use period: unlimited = EFUP-e |
|            | No hazardous substances above threshold values          |

## Drawings

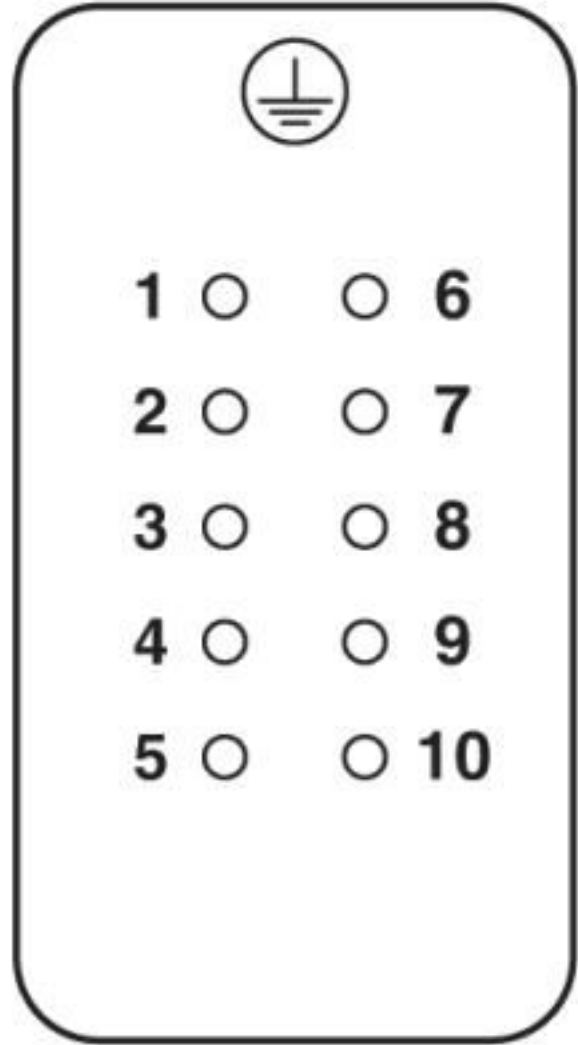
# Connector set - HC-EVO-B10PT-BWSC-HL-M25-PLRBK - 1408791

Schematic diagram



Pin assignment, connection side, pin

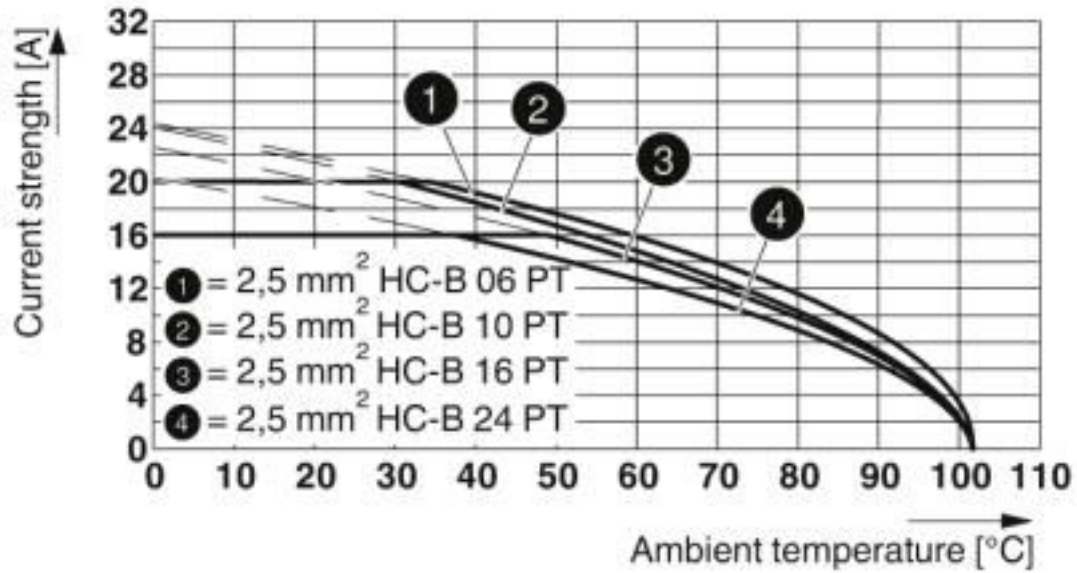
Schematic diagram



Pin assignment, connection side, socket

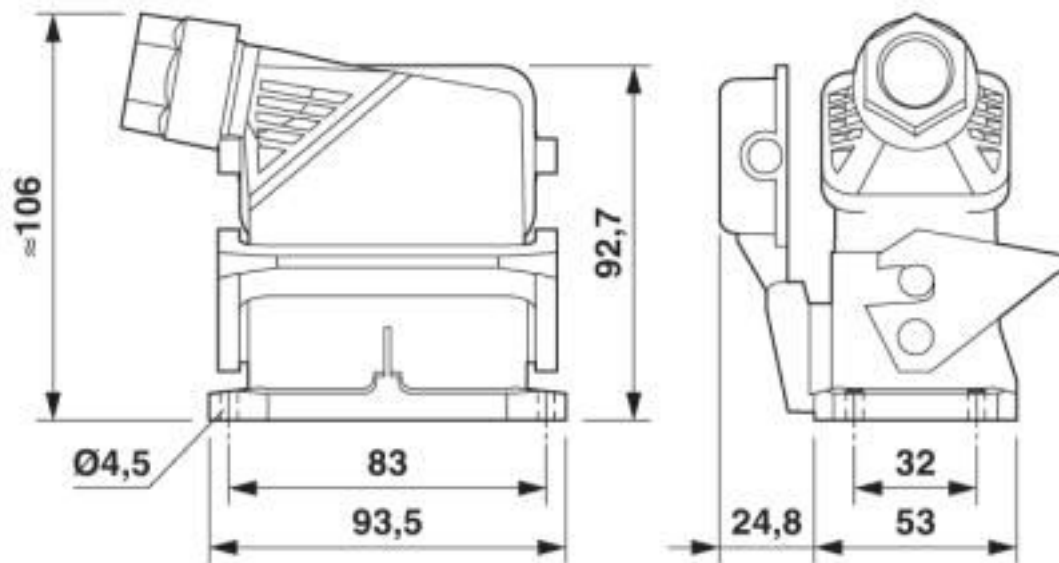
# Connector set - HC-EVO-B10PT-BWSC-HL-M25-PLRBK - 1408791

Diagram



Derating diagram

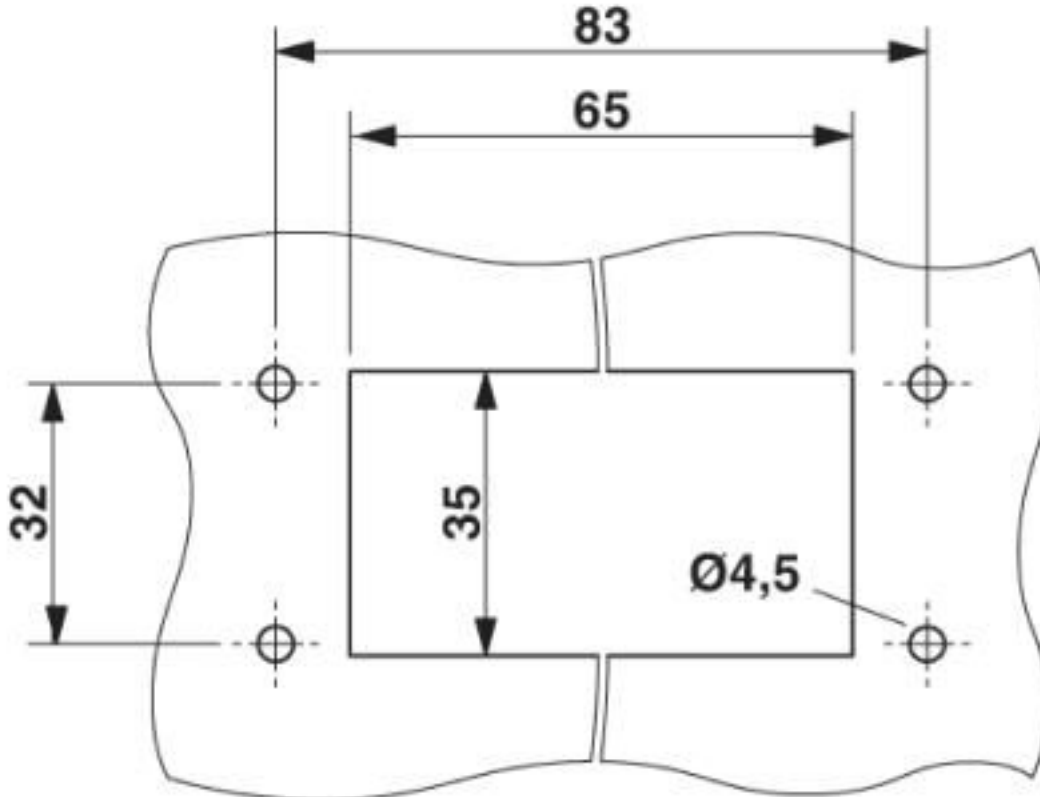
Dimensional drawing



Dimensional drawing

## Connector set - HC-EVO-B10PT-BWSC-HL-M25-PLRBK - 1408791

Dimensional drawing



Mounting cutout

### Articles in set

Contact insert - HC-B10-I-PT-F - 1407729



HEAVYCON socket insert, B10 series, 10 + PE-pos., push-in connection

Contact insert - HC-B10-I-PT-M - 1407730



HEAVYCON pin insert, B10 series, 10 + PE-pos., push-in connection

# Connector set - HC-EVO-B10PT-BWSC-HL-M25-PLRBK - 1408791

## Articles in set

---

### Housing - HC-EVO-B10-BWSC-PLRBK - 1407633



HEAVYCON EVO panel mounting base, plastic, B10, with single locking latch, height: 30.5 mm, with flat gasket, with protective cover

### Housing - HC-EVO-B10-HLFS-PLBK - 1407626



HEAVYCON EVO sleeve housing, plastic, with bayonet flange for EVO screw connection, B10, for single locking latch, height: 60.5 mm, without EVO screw connection

### Cable gland - HC-B-G-M25-PLRBK - 1407670



EVO plastic cable gland with bayonet locking, for housing series B, size M25, cable diameter: 9 ... 17 mm

## Classifications

### eCl@ss

|               |          |
|---------------|----------|
| eCl@ss 10.0.1 | 27440101 |
| eCl@ss 4.0    | 27260700 |
| eCl@ss 4.1    | 27260700 |
| eCl@ss 5.0    | 27260700 |
| eCl@ss 5.1    | 27260700 |
| eCl@ss 6.0    | 27260700 |
| eCl@ss 7.0    | 27440101 |
| eCl@ss 8.0    | 27440101 |
| eCl@ss 9.0    | 27440101 |

### ETIM

|          |          |
|----------|----------|
| ETIM 3.0 | EC000438 |
|----------|----------|

# Connector set - HC-EVO-B10PT-BWSC-HL-M25-PLRBK - 1408791

## Classifications

### ETIM

|          |          |
|----------|----------|
| ETIM 4.0 | EC000437 |
| ETIM 5.0 | EC000437 |
| ETIM 6.0 | EC002636 |
| ETIM 7.0 | EC002636 |

### UNSPSC

|               |          |
|---------------|----------|
| UNSPSC 6.01   | 30211923 |
| UNSPSC 7.0901 | 39121522 |
| UNSPSC 11     | 39121522 |
| UNSPSC 12.01  | 39121522 |
| UNSPSC 13.2   | 39121409 |
| UNSPSC 18.0   | 39121409 |
| UNSPSC 19.0   | 39121409 |
| UNSPSC 20.0   | 39121409 |
| UNSPSC 21.0   | 39121409 |

## Approvals

### Approvals

Approvals

EAC / DNV GL / EAC / EAC

Ex Approvals

### Approval details

|     |  |                          |
|-----|--|--------------------------|
| EAC |  | RU C-<br>DE.AI30.B.01102 |
|-----|--|--------------------------|

|        |  |   |            |
|--------|--|---|------------|
| DNV GL |  | <a href="https://approvalfinder.dnvgl.com/">https://approvalfinder.dnvgl.com/</a> | TAE000037S |
|--------|--|---|------------|

## Connector set - HC-EVO-B10PT-BWSC-HL-M25-PLRBK - 1408791

### Approvals

|     |   |               |
|-----|---|---------------|
| EAC |  | EAC-Zulassung |
|-----|---|---------------|

|     |   |                          |
|-----|---|--------------------------|
| EAC |  | RU C-<br>DE.BL08.B.00511 |
|-----|---|--------------------------|

### Accessories

#### Accessories

#### Device marking

Snap-in markers - US-EMP (20X9) - 0829439



Snap-in markers, Card, white, unlabeled, can be labeled with: BLUEMARK ID COLOR, BLUEMARK ID, THERMOMARK PRIME, THERMOMARK CARD 2.0, THERMOMARK CARD, mounting type: snapped into marker carrier, lettering field size: 20 x 9 mm, Number of individual labels: 70

#### Housing latches

Single locking latch - HC-B10-SL-PLBK - 1407698



Replacement single locking latch for HEAVYCON EVO housing type B10, PA