


Gasket - HC-M-PN2-ERSORI - 1408216

Please be informed that the data shown in this PDF Document is generated from our Online Catalog. Please find the complete data in the user's documentation. Our General Terms of Use for Downloads are valid (<http://phoenixcontact.com/download>)

Replacement O-ring for HC-M-PN2...ST pneumatic pin contacts



Key Commercial Data

Packing unit	1 pc
Minimum order quantity	10 pc
GTIN	 4 046356 570121
GTIN	4046356570121
Weight per Piece (excluding packing)	1.000 g
Custom tariff number	40169300
Country of origin	United States

Technical data

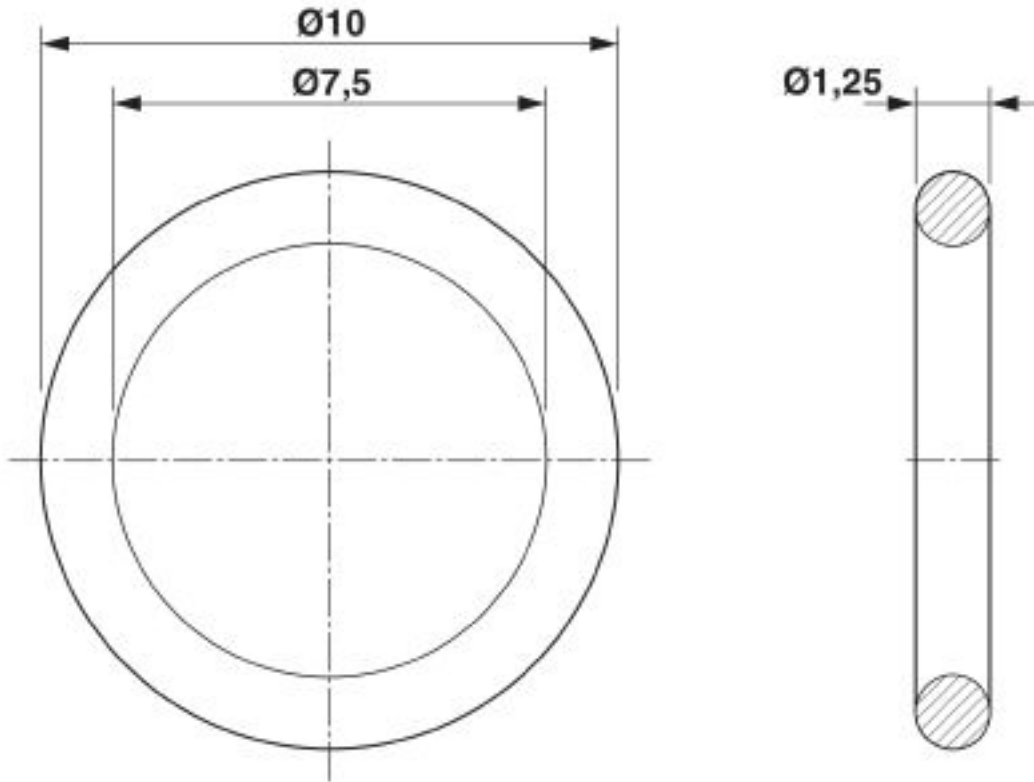
Environmental Product Compliance

China RoHS	Environmentally friendly use period: unlimited = EFUP-e
	No hazardous substances above threshold values

Drawings

Gasket - HC-M-PN2-ERSORI - 1408216

Dimensional drawing



Classifications

eCl@ss

eCl@ss 10.0.1	27430319
eCl@ss 4.0	27140816
eCl@ss 4.1	27140816
eCl@ss 5.0	27143424
eCl@ss 5.1	27261200
eCl@ss 6.0	27261200
eCl@ss 7.0	27440205
eCl@ss 8.0	27440205
eCl@ss 9.0	27430319

ETIM

ETIM 4.0	EC000438
ETIM 5.0	EC000438

Gasket - HC-M-PN2-ERSORI - 1408216

Classifications

ETIM

ETIM 6.0	EC000438
ETIM 7.0	EC000438

UNSPSC

UNSPSC 6.01	30211817
UNSPSC 7.0901	39121416
UNSPSC 11	43172601
UNSPSC 12.01	39121522
UNSPSC 13.2	39121522
UNSPSC 18.0	39121522
UNSPSC 19.0	39121522
UNSPSC 20.0	39121522
UNSPSC 21.0	39121522