

FO connectors - FOC-V14-C1ZNI-S/SJFP:10 - 1408047

Please be informed that the data shown in this PDF Document is generated from our Online Catalog. Please find the complete data in the user's documentation. Our General Terms of Use for Downloads are valid (<http://phoenixcontact.com/download>)




Push-pull connector (version 14), die-cast zinc, with SC-RJ insert for POF, for cable diameter of 5.5 mm ... 10 mm, cable outlet at the bottom

Your advantages

- Push-pull ADVANCE connector
- Locking system to prevent inadvertent removal
- Highest ESD and EMC resistance for reliable transmission



Key Commercial Data

Packing unit	1 pc
Minimum order quantity	10 pc
GTIN	 4 046356 788601
GTIN	4046356788601
Custom tariff number	85367000
Country of origin	Germany

Technical data

Standards and Regulations

Flame resistance	yes
Resistance to oil	yes

Environmental Product Compliance

REACH SVHC	Lead 7439-92-1
China RoHS	Environmentally Friendly Use Period = 50 years

FO connectors - FOC-V14-C1ZNI-S/SJFP:10 - 1408047

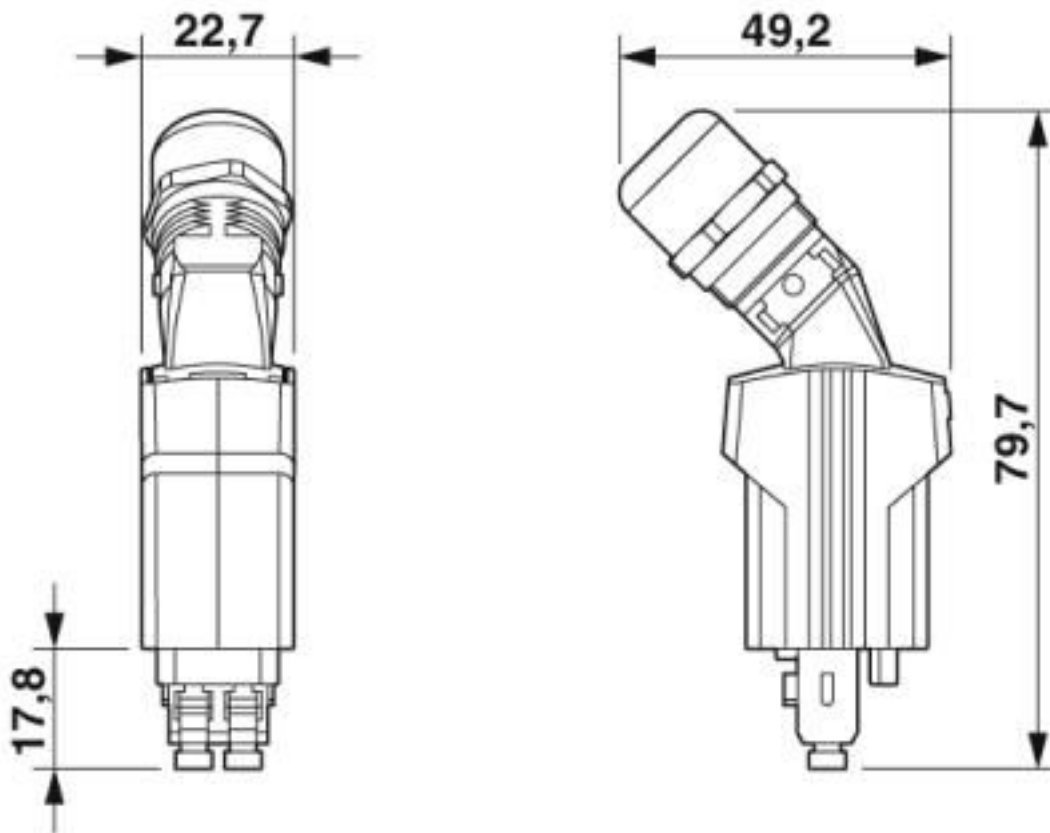
Technical data

Environmental Product Compliance

	For details about hazardous substances go to tab "Downloads", Category "Manufacturer's declaration"
--	---

Drawings

Dimensional drawing



Classifications

eCl@ss

eCl@ss 10.0.1	19170122
eCl@ss 4.0	27141200
eCl@ss 4.1	27141200
eCl@ss 5.0	27144000
eCl@ss 5.1	27144000
eCl@ss 6.0	27144000

FO connectors - FOC-V14-C1ZNI-S/SJFP:10 - 1408047

Classifications

eCl@ss

eCl@ss 7.0	27144001
eCl@ss 8.0	19170122
eCl@ss 9.0	19170122

ETIM

ETIM 3.0	EC000007
ETIM 4.0	EC000489
ETIM 5.0	EC001122
ETIM 6.0	EC001122
ETIM 7.0	EC001122

UNSPSC

UNSPSC 6.01	31261501
UNSPSC 7.0901	31261501
UNSPSC 11	31261501
UNSPSC 12.01	31261501
UNSPSC 13.2	43223310
UNSPSC 18.0	43223310
UNSPSC 19.0	43223310
UNSPSC 20.0	43223310
UNSPSC 21.0	43223310

Approvals

Approvals

Approvals

UL Listed / EAC

Ex Approvals

Approval details

UL Listed		http://database.ul.com/cgi-bin/XYV/template/LISEXT/1FRAME/index.htm	E308814-20180830
-----------	--	---	------------------

FO connectors - FOC-V14-C1ZNI-S/SJFP:10 - 1408047

Approvals

EAC



B.01742

Accessories

Accessories

Assembly tool

Tool set - TF-SCRJ-POF KONF SET - 1405246



SC-RJ cutting tool set, for polymer fiber, for field assembly of SC-RJ/IP20 and SC-RJ/IP67 push/pull connectors with fast connection technology, consisting of stripping tool, aramid scissors, SC-RJ cutting tool, microscope

Panel mounting frame

Panel mounting frames - FOC-V14-F1ZNI-EM/SJB - 1413964



SC-RJ panel mounting frame, IP67, for push-pull interlocking, metal, for rectangular mounting cutout, with seal and mounting screws, incl. SC-RJ coupling

Panel mounting frames - FOC-V14-F1ZNI-EM/SJB - 1413964



SC-RJ panel mounting frame, IP67, for push-pull interlocking, metal, for rectangular mounting cutout, with seal and mounting screws, incl. SC-RJ coupling