

RJ45 connector - CUC-V14-C1S-S/R4IP8 - 1407908

Please be informed that the data shown in this PDF Document is generated from our Online Catalog. Please find the complete data in the user's documentation. Our General Terms of Use for Downloads are valid (<http://phoenixcontact.com/download>)




RJ45 connector, degree of protection: IP65/IP67, number of positions: 8, 1 Gbps, CAT5 (IEC 11801:2002), material: Stainless steel 1.4404, connection method: IDC fast connection, connection cross section: AWG 23- 22, cable outlet: straight

Your advantages

- ✓ Push-pull ADVANCE connector
- ✓ Locking system to prevent inadvertent removal
- ✓ Protected data transmission, thanks to 360° shielding concept
- ✓ High resistance to ESD and EMC for reliable transmission



Key Commercial Data

Packing unit	1
GTIN	 4 046356 782104
GTIN	4046356782104
Custom tariff number	85366990

Technical data

Mechanical characteristics

Connection method	IDC fast connection
Minimum external conductor diameter	5.5 mm
Maximum external conductor diameter	10 mm
Overvoltage category	I
AWG solid min.	23
AWG solid max.	22
AWG multi-stranded min.	23
AWG multi-stranded max.	22

RJ45 connector - CUC-V14-C1S-S/R4IP8 - 1407908

Technical data

Mechanical characteristics

Tightening torque max	2.5 Nm
Insertion/withdrawal cycles	≥ 750
Number of positions	8
Degree of protection	IP20
Degree of pollution	2
Cable outlet	straight
No. of cable outlets	1
Locking type	Push Pull
Conductor cross section	0.23 mm ² ... 0.32 mm ² (solid)
	0.23 mm ² ... 0.36 mm ² (flexible)
Weight	107 g
Flammability rating according to UL 94	V0

Ambient conditions

Ambient temperature (operation)	-40 °C ... 80 °C
Ambient temperature (assembly)	-10 °C ... 40 °C
Ambient temperature (storage/transport)	-40 °C ... 80 °C

Material data

Contact surface material	Gold over nickel
Contact material	Copper alloy
Contact carrier material	PC
Housing material	Stainless steel 1.4404
Width	22 mm
Height	34 mm
Length	80 mm

Electrical characteristics

Number of positions	8
Nominal voltage U _N	48 V
Transmission characteristics (category)	CAT5 (IEC 11801:2002)
GRP transmission properties	CAT5 (IEC 11801:2002) CAT5 (IEC 11801:2002)
Transmission speed	1 Gbps
Frequency range	to 100 MHz
Rated current	1.75 A
Overvoltage category	I
Degree of pollution	2
Rated voltage (III/3)	72 V (DC)
Insulation resistance	> 500 MΩ

RJ45 connector - CUC-V14-C1S-S/R4IP8 - 1407908

Technical data

Standards and Regulations

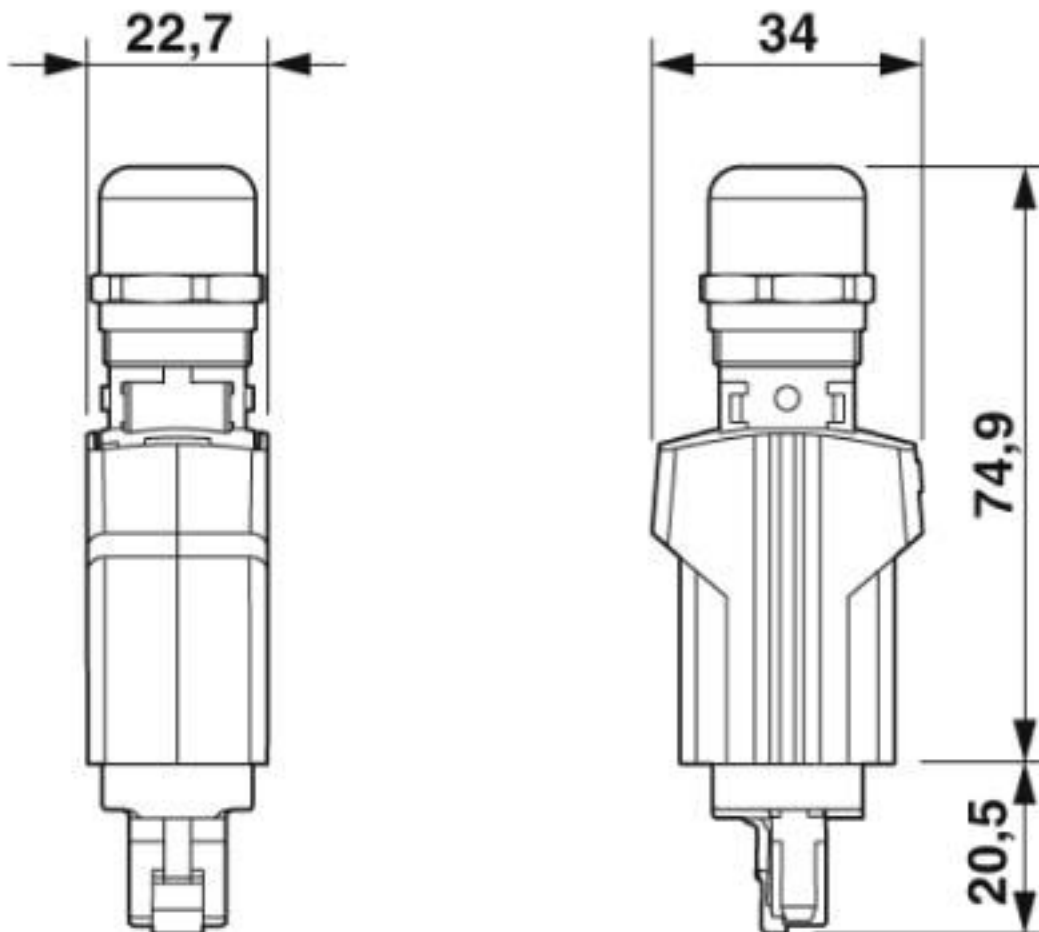
Standards/specifications	IEC 61076
Flammability rating according to UL 94	V0

Environmental Product Compliance

China RoHS	Environmentally friendly use period: unlimited = EFUP-e
	No hazardous substances above threshold values

Drawings

Dimensional drawing



RJ45 connector - CUC-V14-C1S-S/R4IP8 - 1407908

Classifications

eCl@ss

eCl@ss 10.0.1	27440101
eCl@ss 4.0	27140816
eCl@ss 4.1	27140816
eCl@ss 5.0	27189239
eCl@ss 5.1	27189239
eCl@ss 6.0	27144001
eCl@ss 7.0	27144001
eCl@ss 8.0	27440101
eCl@ss 9.0	27440101

ETIM

ETIM 3.0	EC000007
ETIM 4.0	EC000489
ETIM 5.0	EC000489
ETIM 6.0	EC002636
ETIM 7.0	EC002636

UNSPSC

UNSPSC 6.01	31261501
UNSPSC 7.0901	31261501
UNSPSC 11	31261501
UNSPSC 12.01	31261501
UNSPSC 13.2	31261501
UNSPSC 18.0	39121409
UNSPSC 19.0	39121409
UNSPSC 20.0	39121409
UNSPSC 21.0	39121409

Approvals

Approvals

Approvals

EAC

Ex Approvals

RJ45 connector - CUC-V14-C1S-S/R4IP8 - 1407908

Approvals

Approval details

EAC		B.01687
-----	--	---------

Accessories

Accessories

Panel mounting frame

Panel mounting frames - CUC-V14-F1ZNI-EM/R4F8 - 1413961



RJ45 panel mounting frame, IP67, for push-pull interlocking, metal, for rectangular mounting cutout, with seal and mounting screws, incl. RJ45 insert with IDC cable connection

Panel mounting frames - CUC-V14-F1ZNI-EM/R4B8 - 1413962



RJ45 panel mounting frame, IP67, for push-pull interlocking, metal, for rectangular mounting cutout, with seal and mounting screws, incl. RJ45 coupling module

Panel mounting frames - CUC-V14-F1ZNI-EM/R4O - 1413963



RJ45 panel mounting frame, IP67, for push-pull interlocking, metal, for PCB connection, for square panel cutout, with grommet and mounting screws

Protective cover

Protective covers - VS-PPC-F1-PC-POBK - 1405316



Protective cover, IP65, with push-pull locking for covering the contact insert in the push-pull connector for RJ45 and SC-RJ, plastic

RJ45 connector - CUC-V14-C1S-S/R4IP8 - 1407908

Accessories

Stripping tool - VS-CABLE-STRIP-VARIO - 1657407



Stripping tool, for the multi-level stripping of shielded cables
