

FO connectors - FOC-V14-C1ZNI-B/SJFG - 1407905

Please be informed that the data shown in this PDF Document is generated from our Online Catalog. Please find the complete data in the user's documentation. Our General Terms of Use for Downloads are valid (<http://phoenixcontact.com/download>)



Push-pull connector (version 14), die-cast zinc, with SC-RJ insert for GOF, for cable diameter of 5.5 mm ... 10 mm, cable outlet at the bottom

Your advantages

- ✓ Push-pull ADVANCE connector
- ✓ Locking system to prevent inadvertent removal
- ✓ Highest ESD and EMC resistance for reliable transmission



Key Commercial Data

Packing unit	1 pc
GTIN	 4 046356 782074
GTIN	4046356782074
Custom tariff number	85367000
Country of origin	Germany

Technical data

Mechanical characteristics

Minimum external conductor diameter	5.5 mm
Maximum external conductor diameter	10 mm
Tightening torque max	2.5 Nm
Cable outlet	angled
Locking type	Push Pull
Weight	102.9 g

Ambient conditions

FO connectors - FOC-V14-C1ZNI-B/SJFG - 1407905

Technical data

Ambient conditions

Ambient temperature (operation)	-40 °C ... 70 °C
Ambient temperature (assembly)	-10 °C ... 40 °C
Ambient temperature (storage/transport)	-40 °C ... 70 °C
Degree of protection	IP67

Material data

Housing material	Zinc die-cast
Housing surface material	Nickel-plated
Width	22 mm
Height	34 mm
Length	80 mm

Standards and Regulations

Flame resistance	yes
Resistance to oil	yes

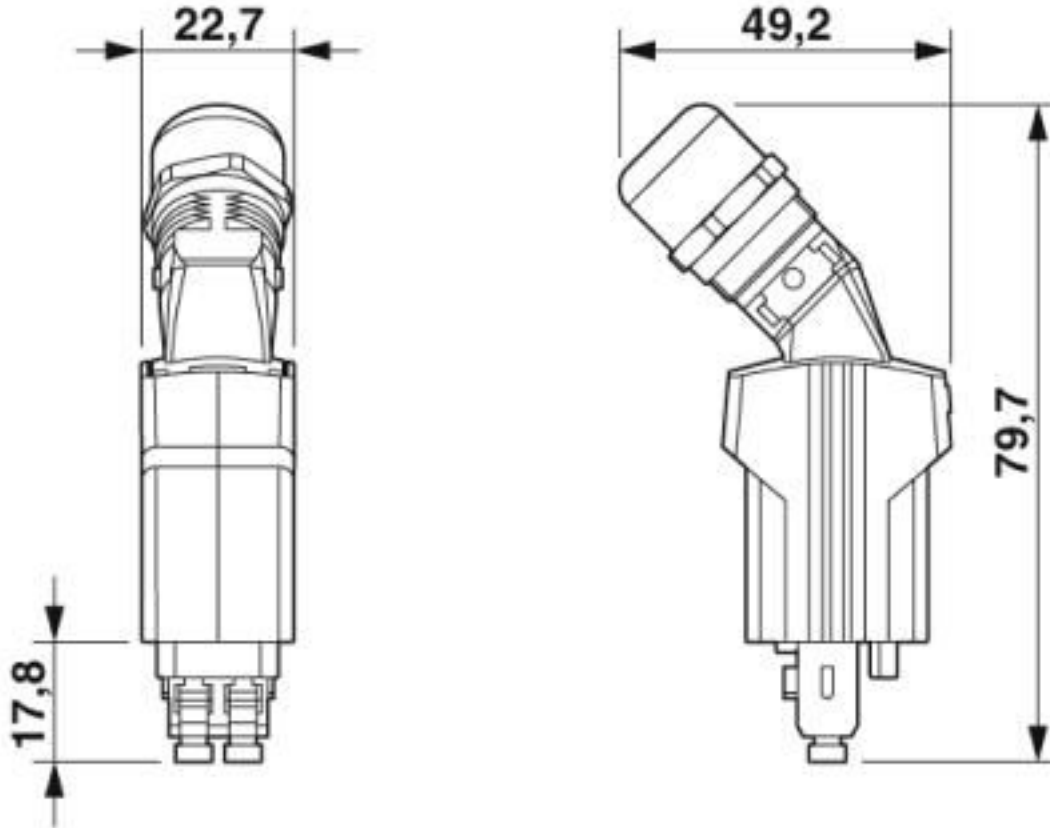
Environmental Product Compliance

REACH SVHC	Lead 7439-92-1
China RoHS	Environmentally Friendly Use Period = 50 years
	For details about hazardous substances go to tab "Downloads", Category "Manufacturer's declaration"

Drawings

FO connectors - FOC-V14-C1ZNI-B/SJFG - 1407905

Dimensional drawing



Classifications

eCl@ss

eCl@ss 10.0.1	19170122
eCl@ss 4.0	27260700
eCl@ss 4.1	27260700
eCl@ss 5.0	27260700
eCl@ss 5.1	27260700
eCl@ss 6.0	27260700
eCl@ss 7.0	27440312
eCl@ss 8.0	19170122
eCl@ss 9.0	19170122

ETIM

ETIM 3.0	EC001121
ETIM 4.0	EC000034

FO connectors - FOC-V14-C1ZNI-B/SJFG - 1407905

Classifications

ETIM

ETIM 5.0	EC001122
ETIM 6.0	EC001122
ETIM 7.0	EC001122

UNSPSC

UNSPSC 6.01	31261501
UNSPSC 7.0901	31261501
UNSPSC 11	31261501
UNSPSC 12.01	31261501
UNSPSC 13.2	43223310
UNSPSC 18.0	43223310
UNSPSC 19.0	43223310
UNSPSC 20.0	43223310
UNSPSC 21.0	43223310

Approvals

Approvals

Approvals

UL Listed / EAC

Ex Approvals

Approval details

UL Listed		http://database.ul.com/cgi-bin/XYV/template/LISEXT/1FRAME/index.htm	E308814-20180830
-----------	--	---	------------------

EAC		B.01742
-----	--	---------

Accessories

Accessories

FO connectors - FOC-V14-C1ZNI-B/SJFG - 1407905

Accessories

Panel mounting frame

Panel mounting frames - FOC-V14-F1ZNI-EM/SJB - 1413964



SC-RJ panel mounting frame, IP67, for push-pull interlocking, metal, for rectangular mounting cutout, with seal and mounting screws, incl. SC-RJ coupling

Protective cover

Protective covers - VS-PPC-F1-PC-POBK - 1405316



Protective cover, IP65, with push-pull locking for covering the contact insert in the push-pull connector for RJ45 and SC-RJ, plastic