

Double locking latch - HC-B10-24-DL-PLBK - 1407696

Please be informed that the data shown in this PDF Document is generated from our Online Catalog. Please find the complete data in the user's documentation. Our General Terms of Use for Downloads are valid (<http://phoenixcontact.com/download>)



Replacement double locking latch for HEAVYCON EVO housing, HC-B10/HC-B16/HC-B24, PA



COMPLETE

Key Commercial Data

Packing unit	1 pc
Minimum order quantity	10 pc
GTIN	 4 046356 777797
GTIN	4046356777797
Weight per Piece (excluding packing)	12.000 g
Custom tariff number	85389099
Country of origin	Poland

Technical data

Ambient conditions

Ambient temperature (operation)	-40 °C ... 100 °C
---------------------------------	-------------------

General

Size	B10 ... B24
Locking latch material	PA
Flammability rating according to UL 94	V0
Color	black

Standards and Regulations

Flammability rating according to UL 94	V0
--	----

Environmental Product Compliance

Double locking latch - HC-B10-24-DL-PLBK - 1407696

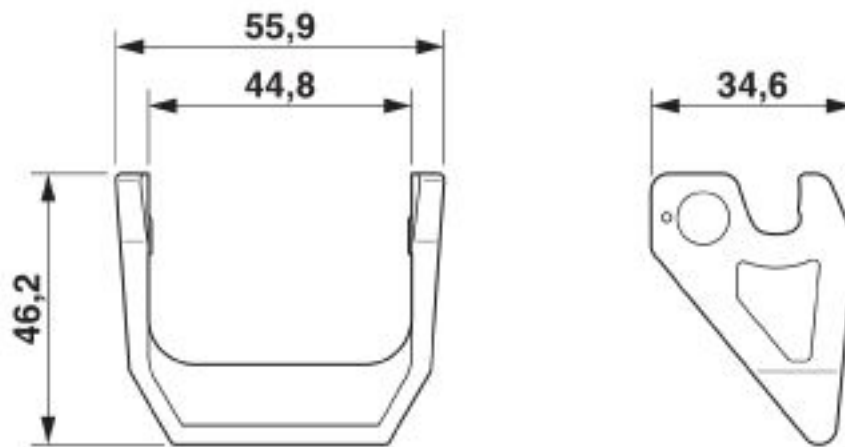
Technical data

Environmental Product Compliance

China RoHS	Environmentally friendly use period: unlimited = EFUP-e
	No hazardous substances above threshold values

Drawings

Dimensional drawing



Dimensional drawing

Classifications

eCl@ss

eCl@ss 10.0.1	27440192
eCl@ss 4.0	27378000
eCl@ss 4.1	27378000
eCl@ss 5.0	27379100
eCl@ss 5.1	27379100
eCl@ss 6.0	27379200
eCl@ss 7.0	27379201
eCl@ss 8.0	27379201
eCl@ss 9.0	27440192

ETIM

ETIM 3.0	EC000796
ETIM 4.0	EC000437

Double locking latch - HC-B10-24-DL-PLBK - 1407696

Classifications

ETIM

ETIM 5.0	EC000437
ETIM 6.0	EC000437
ETIM 7.0	EC000437

UNSPSC

UNSPSC 6.01	31261501
UNSPSC 7.0901	31261501
UNSPSC 11	31261501
UNSPSC 12.01	31261501
UNSPSC 13.2	31261501
UNSPSC 18.0	39121421
UNSPSC 19.0	39121421
UNSPSC 20.0	39121421
UNSPSC 21.0	39121421

Approvals


Approvals

Approvals

EAC

Ex Approvals

Approval details

EAC		RU C- DE.AI30.B.01102
-----	---	--------------------------