

Protective covers - HC-B06-BC-HI-PLBK - 1407692

Please be informed that the data shown in this PDF Document is generated from our Online Catalog. Please find the complete data in the user's documentation. Our General Terms of Use for Downloads are valid (<http://phoenixcontact.com/download>)

HEAVYCON EVO hinged protective cover, size B6, for EVO plastic supporting base element, IP65, PA



Product Description

Plastic protective cover for HC-EVO... consisting of plastic protective cover, flange, self-tapping screw for plastic



Key Commercial Data

Packing unit	1 pc
GTIN	 4 046356 776776
GTIN	4046356776776
Weight per Piece (excluding packing)	40.000 g
Custom tariff number	85389099
Country of origin	Poland

Technical data

Dimensions

Length	62 mm
Width	47 mm
Height	19 mm

Ambient conditions

Degree of protection (IP)	IP65
	IP66
Ambient temperature (operation)	-20 °C ... 100 °C

General

Protective covers - HC-B06-BC-HI-PLBK - 1407692

Technical data

General

Size	B6
Type	For supporting base element with single locking latch
Material	PA
Flammability rating according to UL 94	V0
Color	black
Seal present	no
Assembly instructions	For HC-EVO.....PLBK

Standards and Regulations

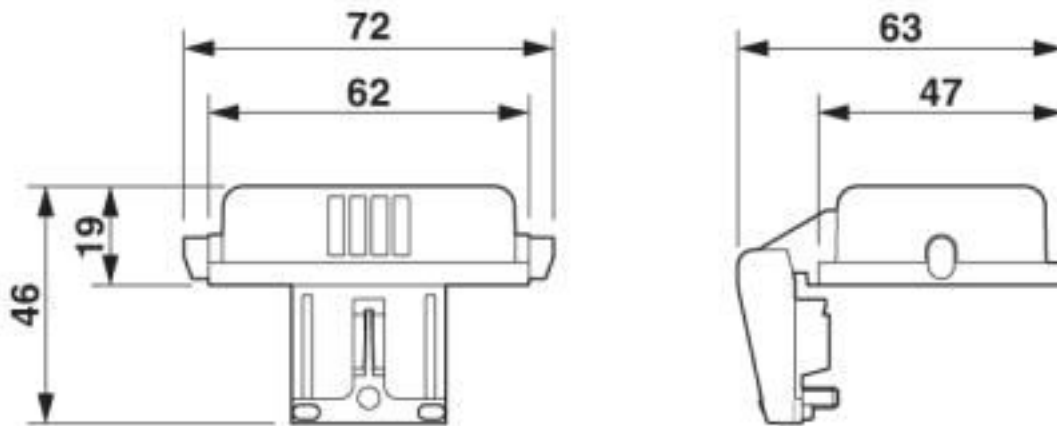
Flammability rating according to UL 94	V0
--	----

Environmental Product Compliance

China RoHS	Environmentally friendly use period: unlimited = EFUP-e
	No hazardous substances above threshold values

Drawings

Dimensional drawing



Dimensional drawing

Classifications

eCl@ss

eCl@ss 10.0.1	27440208
eCl@ss 4.0	27141200
eCl@ss 4.1	27141200
eCl@ss 5.0	27149100

Protective covers - HC-B06-BC-HI-PLBK - 1407692

Classifications

eCl@ss

eCl@ss 5.1	27149100
eCl@ss 6.0	27261200
eCl@ss 7.0	27440208
eCl@ss 8.0	27440208
eCl@ss 9.0	27440208

ETIM

ETIM 2.0	EC000241
ETIM 3.0	EC002040
ETIM 4.0	EC002314
ETIM 5.0	EC002314
ETIM 6.0	EC002314
ETIM 7.0	EC002314

UNSPSC

UNSPSC 6.01	30212113
UNSPSC 7.0901	39121712
UNSPSC 11	39121712
UNSPSC 12.01	39121712
UNSPSC 13.2	39121421
UNSPSC 18.0	39121421
UNSPSC 19.0	39121421
UNSPSC 20.0	39121421
UNSPSC 21.0	39121421

Approvals

Approvals

Approvals

EAC

Ex Approvals

Approval details

Protective covers - HC-B06-BC-HI-PLBK - 1407692

Approvals

EAC



RU C-
DE.AI30.B.01102