

Cable gland - HC-B-G-M25-PLRBK - 1407670

Please be informed that the data shown in this PDF Document is generated from our Online Catalog. Please find the complete data in the user's documentation. Our General Terms of Use for Downloads are valid (<http://phoenixcontact.com/download>)



EVO plastic cable gland with bayonet locking, for housing series B, size M25, cable diameter: 9 ... 17 mm



COMPLETE

Key Commercial Data

Packing unit	1 pc
GTIN	 4 046356 776387
GTIN	4046356776387
Weight per Piece (excluding packing)	39.500 g
Custom tariff number	39269097
Country of origin	Poland

Technical data

Dimensions

Wrench size, union nut	26 mm
External cable diameter	9 mm ... 17 mm

Ambient conditions

Degree of protection (IP)	IP66
Degree of protection (NEMA)	12 (UL 50e)
Ambient temperature (operation)	-40 °C ... 100 °C

General

Type of the screw connection	M25
No. of conductors	1
Material	PA

Cable gland - HC-B-G-M25-PLRBK - 1407670

Technical data

General

Cable gland material	PA
Material, pressure screw	PA
Seal material	NBR
Cable seal material	NBR
Sealing material	NBR (O-ring)
Flammability rating according to UL 94	V0 / V2
Shielded	no
Tightening torque, union nut	5.00 Nm
Color	black
Assembly instructions	Bayonet locking max. 3x can be removed

Standards and Regulations

Flammability rating according to UL 94	V0 / V2
----------------------------------------	---------

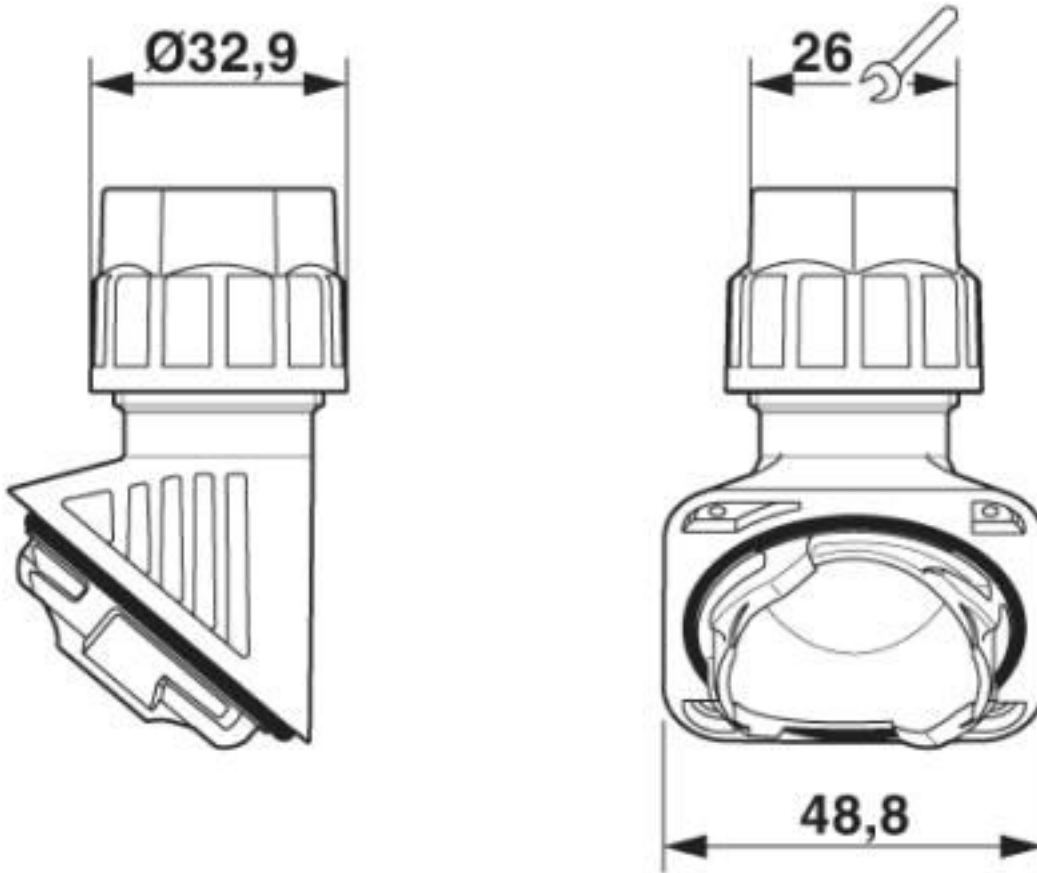
Environmental Product Compliance

China RoHS	Environmentally friendly use period: unlimited = EFUP-e
	No hazardous substances above threshold values

Drawings

Cable gland - HC-B-G-M25-PLRBK - 1407670

Dimensional drawing



Dimensional drawing

Classifications

eCl@ss

eCl@ss 10.0.1	27144432
eCl@ss 4.0	27140800
eCl@ss 4.1	27140800
eCl@ss 5.0	27149100
eCl@ss 5.1	27143400
eCl@ss 6.0	27149100
eCl@ss 7.0	27149109
eCl@ss 8.0	27149109
eCl@ss 9.0	27144432

Cable gland - HC-B-G-M25-PLRBK - 1407670

Classifications

ETIM

ETIM 3.0	EC000441
ETIM 4.0	EC000441
ETIM 5.0	EC000441
ETIM 6.0	EC000441
ETIM 7.0	EC000441

UNSPSC

UNSPSC 6.01	31261502
UNSPSC 7.0901	31261502
UNSPSC 11	31261502
UNSPSC 12.01	31261502
UNSPSC 13.2	39121311
UNSPSC 18.0	39121311
UNSPSC 19.0	39121311
UNSPSC 20.0	39121311
UNSPSC 21.0	39121311

Approvals

Approvals

Approvals

UL Recognized / cUL Recognized / DNV GL / cULus Recognized

Ex Approvals

Approval details

UL Recognized		http://database.ul.com/cgi-bin/XYV/template/LISEXT/1FRAME/index.htm	E255026
---------------	--	-------------------------------------------------------------------------------------------------------------------------------------------------------	---------

cUL Recognized		http://database.ul.com/cgi-bin/XYV/template/LISEXT/1FRAME/index.htm	E255026
----------------	--	-------------------------------------------------------------------------------------------------------------------------------------------------------	---------

Cable gland - HC-B-G-M25-PLRBK - 1407670

Approvals

DNV GL		https://approvalfinder.dnvgl.com/	TAE000037S
--------	-----------------------------------------------------------------------------------	-----------------------------------------------------------------------------------	------------

cULus Recognized	
------------------	-----------------------------------------------------------------------------------

Accessories

Accessories

Corrugated pipe screw connection

Corrugated tube screw connection - WP-GR HF CTA M25 BK - 3241221



Corrugated pipe adapter, with M25 internal thread, straight, black, IP66, for connecting corrugated pipes to HEAVYCON EVO plastic cable glands or ADVANCE plastic housing.

Sealing plugs

Closing cap - SEALING PLUG 14X22 RD - 1400270



Closing cap, material: PA, for threads pluggable, color: red