

Housing - HC-EVO-B24-CHWD-PLRBK - 1407668

Please be informed that the data shown in this PDF Document is generated from our Online Catalog. Please find the complete data in the user's documentation. Our General Terms of Use for Downloads are valid (<http://phoenixcontact.com/download>)



Coupling housings B24, with double locking latch, material: PA, cable outlets: 1, straight/lateral, height: 90 mm, cable gland: none, support sleeve: no, Standard

Your advantages

- ✓ Flexible cable outlet direction, lateral or straight
- ✓ Lower costs than metal version
- ✓ Labeling option using 9 x 20 mm marking label
- ✓ Low weight
- ✓ Lower risk of condensation
- ✓ Both contact insert PE sheets are connected by means of a metal frame integrated in the sleeve housing
- ✓ Metal inlays ensure leading PE contact with angled plugs
- ✓ Completely corrosion-resistant
- ✓ Halogen-free plastic
- ✓ Marking label can be attached



COMPLETE RoHS

Key Commercial Data

Packing unit	1 pc
GTIN	 4 046356 777315
GTIN	4046356777315
Weight per Piece (excluding packing)	160.000 g
Custom tariff number	85389099
Country of origin	Poland

Technical data

Dimensions

Housing - HC-EVO-B24-CHWD-PLRBK - 1407668

Technical data

Dimensions

Height	90 mm
Width	44 mm
Length	120 mm

Ambient conditions

Degree of protection (IP)	IP66
Degree of protection (NEMA)	12 (UL 50e)
Ambient temperature (operation)	-40 °C ... 125 °C

General

Note	For contact inserts HC-B24, BB46, D64, DD108, M, K, HV10-I-PT, HV 10-E...C
Size	B24
Housing type	Coupling housings
Color	black
Locking type	with double locking latch
No. of cable outlets	1
Cable outlet	straight
	lateral
Screw connection	none
Housing material	PA
Seal material	NBR
Material lock	PA
Flammability rating according to UL 94	V0
Connection	The coupling housing must be supplemented with the EVO screw connection. The EVO screw connection is available in four sizes. The EVO screw connection is mounted with the aid of a pipe wrench, for example.

Standards and Regulations

Flammability rating according to UL 94	V0
--	----

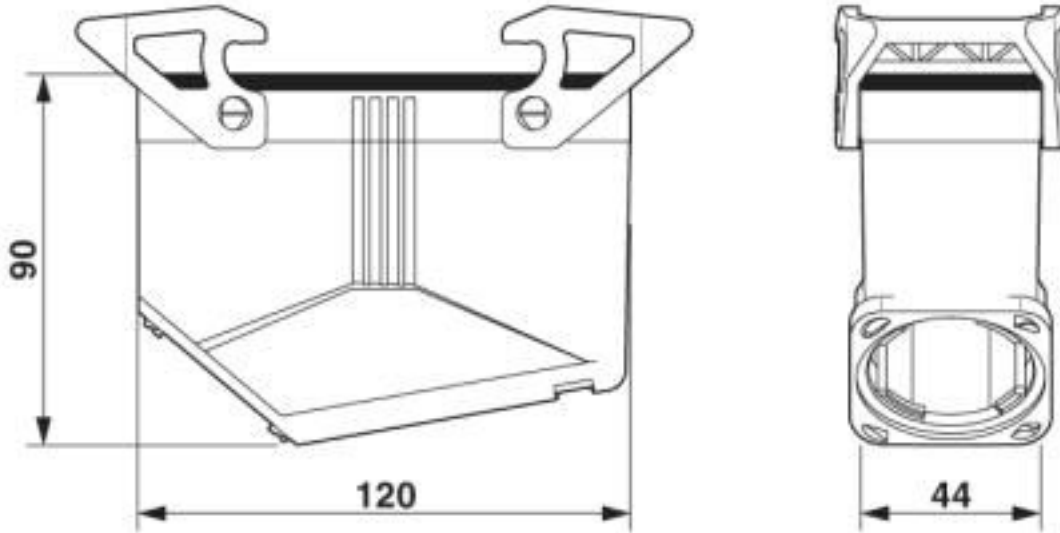
Environmental Product Compliance

China RoHS	Environmentally friendly use period: unlimited = EFUP-e
	No hazardous substances above threshold values

Drawings

Housing - HC-EVO-B24-CHWD-PLRBK - 1407668

Dimensional drawing



Dimensional drawing

Classifications

eCl@ss

eCl@ss 10.0.1	27440202
eCl@ss 4.0	27140800
eCl@ss 4.1	27140800
eCl@ss 5.0	27143400
eCl@ss 5.1	27261200
eCl@ss 6.0	27261200
eCl@ss 7.0	27440202
eCl@ss 8.0	27440202
eCl@ss 9.0	27440202

ETIM

ETIM 3.0	EC000437
ETIM 4.0	EC000437
ETIM 5.0	EC000437
ETIM 6.0	EC000437
ETIM 7.0	EC000437

UNSPSC

UNSPSC 6.01	31261502
-------------	----------

Housing - HC-EVO-B24-CHWD-PLRBK - 1407668

Classifications

UNSPSC

UNSPSC 7.0901	31261502
UNSPSC 11	31261502
UNSPSC 12.01	31261502
UNSPSC 13.2	31261501
UNSPSC 18.0	31261501
UNSPSC 19.0	31261501
UNSPSC 20.0	31261501
UNSPSC 21.0	31261501

Approvals

Approvals

Approvals

UL Recognized / cUL Recognized / EAC / DNV GL / cULus Recognized

Ex Approvals

Approval details

UL Recognized		http://database.ul.com/cgi-bin/XYV/template/LISEXT/1FRAME/index.htm	E255026
---------------	--	---	---------

cUL Recognized		http://database.ul.com/cgi-bin/XYV/template/LISEXT/1FRAME/index.htm	E255026
----------------	--	---	---------

EAC			RU C- DE.AI30.B.01102
-----	--	--	--------------------------

DNV GL		https://approvalfinder.dnvgl.com/	TAE000037S
--------	--	---	------------

Housing - HC-EVO-B24-CHWD-PLRBK - 1407668

Approvals

cULus Recognized



Accessories

Accessories

Cable gland with bayonet locking

Cable gland - HC-B-G-M20-PLRBK - 1407669



EVO plastic cable gland with bayonet locking, for housing series B, size M20, cable diameter: 7 ... 13 mm

Cable gland - HC-B-G-M25-PLRBK - 1407670



EVO plastic cable gland with bayonet locking, for housing series B, size M25, cable diameter: 9 ... 17 mm

Cable gland - HC-B-G-M32-PLRBK - 1407671



EVO plastic cable gland with bayonet locking, for housing series B, size M32, cable diameter: 11 ... 21 mm

Cable gland - HC-B-G-M40-PLRBK - 1407672



EVO plastic cable gland with bayonet locking, for housing series B, size M40, cable diameter: 19 ... 28 mm

Corrugated pipe screw connection

Housing - HC-EVO-B24-CHWD-PLRBK - 1407668

Accessories

Corrugated tube screw connection - HC-B-GCA-M20-PLRBK - 1412021



EVO corrugated pipe screw connection, size: M20, protection class: IP66, plastic

Corrugated tube screw connection - HC-B-GCA-M25-PLRBK - 1411973



EVO corrugated pipe screw connection, size: M25, protection class: IP66, plastic

Corrugated tube screw connection - HC-B-GCA-M32-PLRBK - 1412022



EVO corrugated pipe screw connection, size: M32, protection class: IP66, plastic

Corrugated tube screw connection - HC-B-GCA-M40-PLRBK - 1412023



EVO corrugated pipe screw connection, size: M40, protection class: IP66, plastic

Device marking

Snap-in markers - US-EMP (20X9) - 0829439



Snap-in markers, Card, white, unlabeled, can be labeled with: BLUEMARK ID COLOR, BLUEMARK ID, THERMOMARK PRIME, THERMOMARK CARD 2.0, THERMOMARK CARD, mounting type: snapped into marker carrier, lettering field size: 20 x 9 mm, Number of individual labels: 70

Housing - HC-EVO-B24-CHWD-PLRBK - 1407668

Accessories

Housing latches

Double locking latch - HC-B10-24-DL-PLBK - 1407696



Replacement double locking latch for HEAVYCON EVO housing, HC-B10/HC-B16/HC-B24, PA

Protective cover

Protective covers - HC-B24-BCSFD-P-BK - 1414630



Protective cover B24, for double locking latch, protective cover material: PA, height: 18.5 mm, seal: no, diameter of retaining cord eyelet: 40 mm

Seal

Profile gasket - HC-B24-SP-RBK - 1407709



Profile gasket for HEAVYCON EVO supporting base element type B24
