

Housing - HC-EVO-B16-BWS-PLRBK - 1407646

Please be informed that the data shown in this PDF Document is generated from our Online Catalog. Please find the complete data in the user's documentation. Our General Terms of Use for Downloads are valid (<http://phoenixcontact.com/download>)



HEAVYCON EVO panel mounting base, plastic, B16, with single locking latch, height: 30.5 mm, with flat gasket

Your advantages

- Lower costs than metal version
- Low weight
- Lower risk of condensation
- Both contact insert PE sheets are connected by means of a metal frame integrated in the sleeve housing
- Metal inlays ensure leading PE contact with angled plugs
- Completely corrosion-resistant
- Halogen-free plastic
- Marking label can be attached

COMPLETE RoHS

Key Commercial Data

Packing unit	1 pc
GTIN	 4 046356 777094
GTIN	4046356777094
Weight per Piece (excluding packing)	100.000 g
Custom tariff number	85389099
Country of origin	Poland

Technical data

Dimensions

Height	30.5 mm
Width	53 mm

Housing - HC-EVO-B16-BWS-PLRBK - 1407646

Technical data

Dimensions

Length	114 mm
Length of the assembly cutout	86 mm
Width of the assembly cutout	35 mm

Ambient conditions

Degree of protection (IP)	IP66
Degree of protection (NEMA)	12 (UL 50e)
Ambient temperature (operation)	-40 °C ... 125 °C

General

Note	For contact inserts HC-B16, BB32, D40, DD72, HS6, HV6, M, K, HV06-I-PR, HV 6-E...C
Size	B16
Housing type	Panel mounting base
Color	black
Locking type	with single locking latch
Torque	0.5 Nm ... 1.7 Nm (Fixing screws for panel mounting base)
Screw connection	none
Housing material	PA
Seal material	NBR
Material lock	PA
Flammability rating according to UL 94	V0
Assembly instructions	Not for D series terminal adapters
Connection	Not for HC-B 24-ADP-B..... adapter plates

Standards and Regulations

Flammability rating according to UL 94	V0
--	----

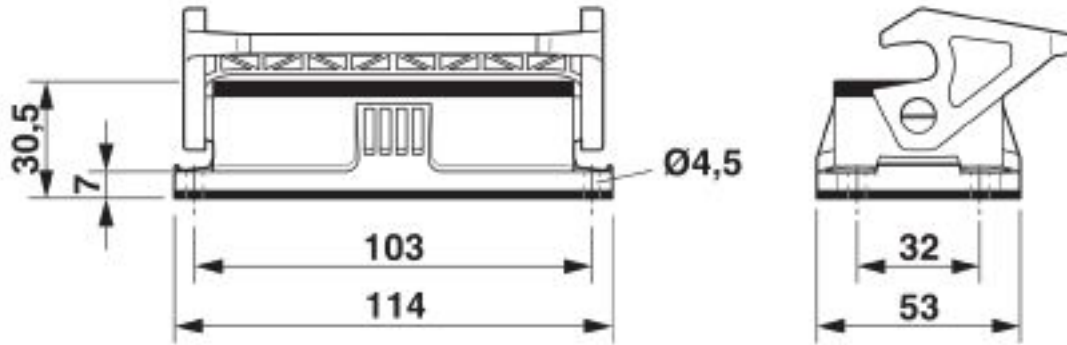
Environmental Product Compliance

China RoHS	Environmentally friendly use period: unlimited = EFUP-e
	No hazardous substances above threshold values

Drawings

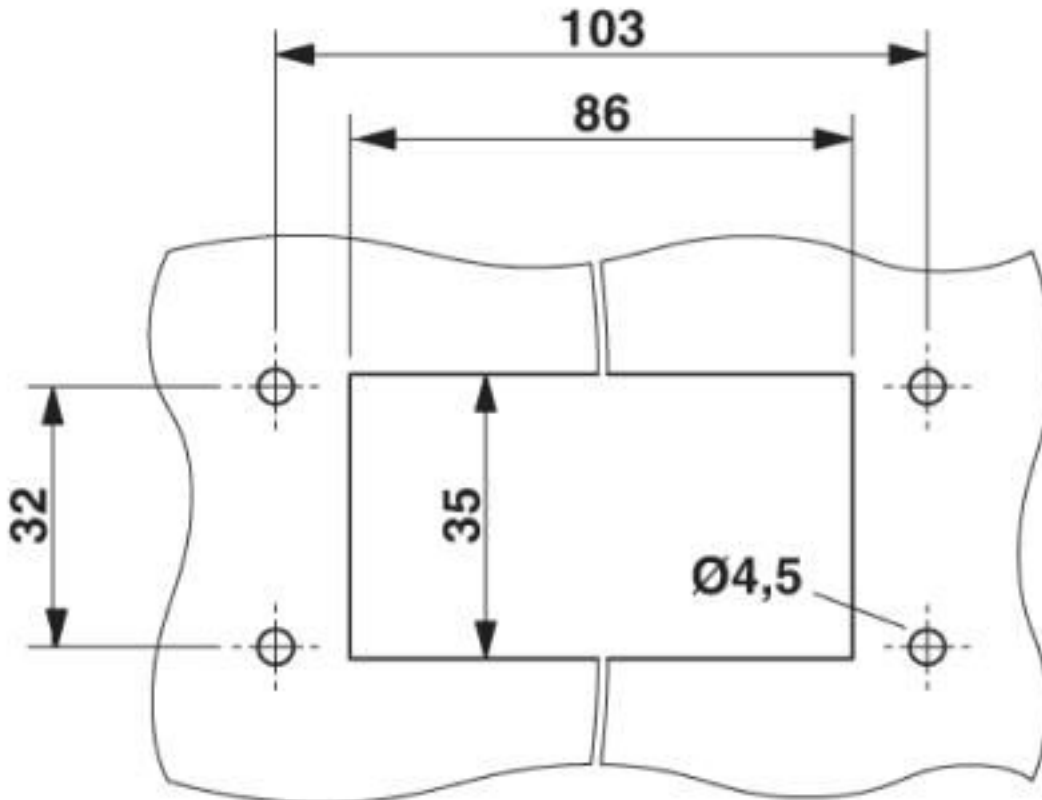
Housing - HC-EVO-B16-BWS-PLRBK - 1407646

Dimensional drawing



Dimensional drawing

Dimensional drawing



Mounting cutout

Housing - HC-EVO-B16-BWS-PLRBK - 1407646

Classifications

eCl@ss

eCl@ss 10.0.1	27440202
eCl@ss 4.0	27140800
eCl@ss 4.1	27140800
eCl@ss 5.0	27143400
eCl@ss 5.1	27261200
eCl@ss 6.0	27261200
eCl@ss 7.0	27440202
eCl@ss 8.0	27440202
eCl@ss 9.0	27440202

ETIM

ETIM 3.0	EC000437
ETIM 4.0	EC000437
ETIM 5.0	EC000437
ETIM 6.0	EC000437
ETIM 7.0	EC000437

UNSPSC

UNSPSC 6.01	31261502
UNSPSC 7.0901	31261502
UNSPSC 11	31261502
UNSPSC 12.01	31261502
UNSPSC 13.2	31261501
UNSPSC 18.0	31261501
UNSPSC 19.0	31261501
UNSPSC 20.0	31261501
UNSPSC 21.0	31261501

Approvals

Approvals

Approvals

UL Recognized / cUL Recognized / EAC / DNV GL / cULus Recognized

Ex Approvals

Housing - HC-EVO-B16-BWS-PLRBK - 1407646

Approvals

Approval details

UL Recognized		http://database.ul.com/cgi-bin/XYV/template/LISEXT/1FRAME/index.htm	E255026
cUL Recognized		http://database.ul.com/cgi-bin/XYV/template/LISEXT/1FRAME/index.htm	E255026
EAC			RU C- DE.AI30.B.01102
DNV GL		https://approvalfinder.dnvgl.com/	TAE000037S
cULus Recognized			

Accessories

Accessories

Device marking

Snap-in markers - US-EMP (20X9) - 0829439



Snap-in markers, Card, white, unlabeled, can be labeled with: BLUEMARK ID COLOR, BLUEMARK ID, THERMOMARK PRIME, THERMOMARK CARD 2.0, THERMOMARK CARD, mounting type: snapped into marker carrier, lettering field size: 20 x 9 mm, Number of individual labels: 70

Housing latches

Housing - HC-EVO-B16-BWS-PLRBK - 1407646

Accessories

Single locking latch - HC-B16-SL-PLBK - 1407700



Replacement single locking latch for HEAVYCON EVO housing type B16, PA

Protective cover

Protective covers - HC-B16-BC-HI-PLBK - 1407694



HEAVYCON EVO hinged protective cover, size B16, for EVO plastic supporting base element, IP65, PA

Seal

Profile gasket - HC-B16-SP-RBK - 1407708



Profile gasket for HEAVYCON EVO supporting base element type B16

Flat gasket - HC-B16-SG-RBK - 1407704



Replacement flat gasket, for HEAVYCON EVO panel mounting base type B16
