

Housing - HC-EVO-B10-BWS-PLRBK - 1407632

Please be informed that the data shown in this PDF Document is generated from our Online Catalog. Please find the complete data in the user's documentation. Our General Terms of Use for Downloads are valid (<http://phoenixcontact.com/download>)



HEAVYCON EVO panel mounting base, plastic, B10, with single locking latch, height: 30.5 mm, with flat gasket

Your advantages

- Lower costs than metal version
- Low weight
- Lower risk of condensation
- Both contact insert PE sheets are connected by means of a metal frame integrated in the sleeve housing
- Metal inlays ensure leading PE contact with angled plugs
- Completely corrosion-resistant
- Halogen-free plastic
- Marking label can be attached

COMPLETE RoHS

Key Commercial Data

| | |
|--------------------------------------|---|
| Packing unit | 1 pc |
| GTIN |  4 046356 776943 |
| GTIN | 4046356776943 |
| Weight per Piece (excluding packing) | 80.000 g |
| Custom tariff number | 85389099 |
| Country of origin | Poland |

Technical data

Dimensions

| | |
|--------|---------|
| Height | 30.5 mm |
| Width | 53 mm |

Housing - HC-EVO-B10-BWS-PLRBK - 1407632

Technical data

Dimensions

| | |
|-------------------------------|---------|
| Length | 93.5 mm |
| Length of the assembly cutout | 65 mm |
| Width of the assembly cutout | 35 mm |

Ambient conditions

| | |
|---------------------------------|-------------------|
| Degree of protection (IP) | IP66 |
| Degree of protection (NEMA) | 12 (UL 50e) |
| Ambient temperature (operation) | -40 °C ... 125 °C |

General

| | |
|--|--|
| Note | For contact inserts HC-B10, BB18, DD42, M, K8/24, HV03-I-PT, HC- 3-E...C |
| Size | B10 |
| Housing type | Panel mounting base |
| Color | black |
| Locking type | with single locking latch |
| Torque | 0.5 Nm ... 1.7 Nm (Fixing screws for panel mounting base) |
| Screw connection | none |
| Housing material | PA |
| Seal material | NBR |
| Material lock | PA |
| Flammability rating according to UL 94 | V0 |
| Assembly instructions | Not for D series terminal adapters |
| Connection | Not for HC-B 24-ADP-B..... adapter plates |

Standards and Regulations

| | |
|--|----|
| Flammability rating according to UL 94 | V0 |
|--|----|

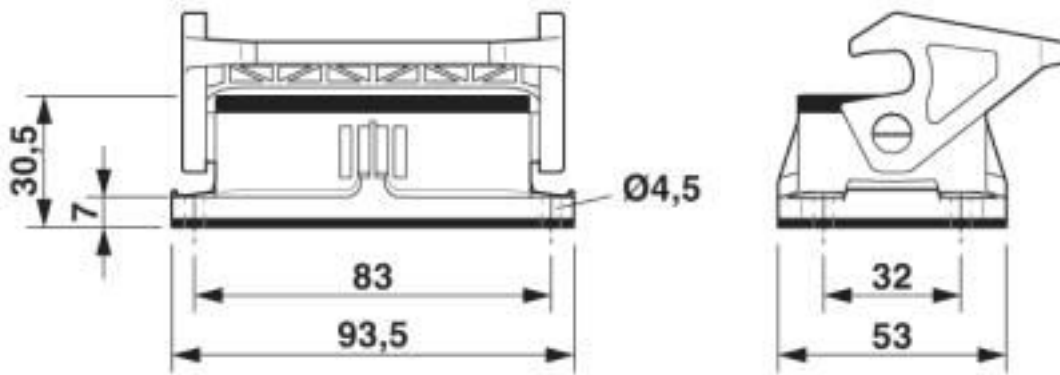
Environmental Product Compliance

| | |
|------------|---|
| China RoHS | Environmentally friendly use period: unlimited = EFUP-e |
| | No hazardous substances above threshold values |

Drawings

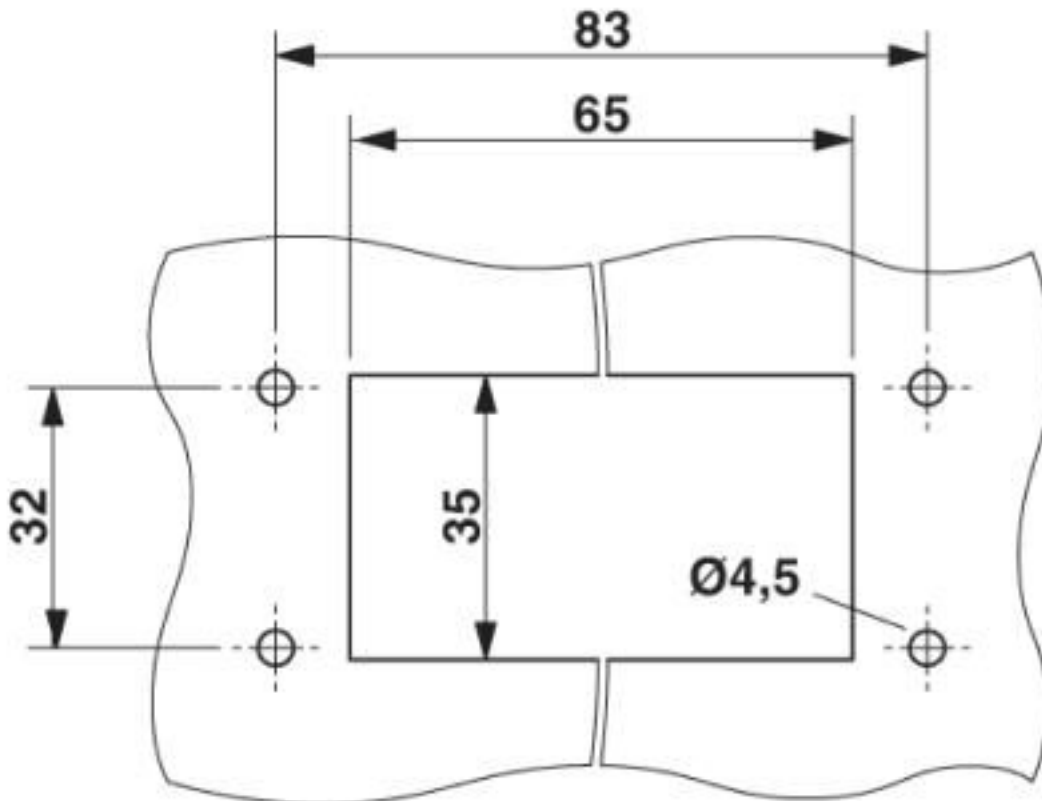
Housing - HC-EVO-B10-BWS-PLRBK - 1407632

Dimensional drawing



Dimensional drawing

Dimensional drawing



Mounting cutout

Housing - HC-EVO-B10-BWS-PLRBK - 1407632

Classifications

eCl@ss

| | |
|---------------|----------|
| eCl@ss 10.0.1 | 27440202 |
| eCl@ss 4.0 | 27140800 |
| eCl@ss 4.1 | 27140800 |
| eCl@ss 5.0 | 27143400 |
| eCl@ss 5.1 | 27261200 |
| eCl@ss 6.0 | 27261200 |
| eCl@ss 7.0 | 27440202 |
| eCl@ss 8.0 | 27440202 |
| eCl@ss 9.0 | 27440202 |

ETIM

| | |
|----------|----------|
| ETIM 3.0 | EC000437 |
| ETIM 4.0 | EC000437 |
| ETIM 5.0 | EC000437 |
| ETIM 6.0 | EC000437 |
| ETIM 7.0 | EC000437 |

UNSPSC

| | |
|---------------|----------|
| UNSPSC 6.01 | 31261502 |
| UNSPSC 7.0901 | 31261502 |
| UNSPSC 11 | 31261502 |
| UNSPSC 12.01 | 31261502 |
| UNSPSC 13.2 | 31261501 |
| UNSPSC 18.0 | 31261501 |
| UNSPSC 19.0 | 31261501 |
| UNSPSC 20.0 | 31261501 |
| UNSPSC 21.0 | 31261501 |

Approvals

Approvals

Approvals

UL Recognized / cUL Recognized / EAC / DNV GL / cULus Recognized

Ex Approvals

Housing - HC-EVO-B10-BWS-PLRBK - 1407632

Approvals

Approval details

| | | | |
|---------------|--|---|---------|
| UL Recognized | | http://database.ul.com/cgi-bin/XYV/template/LISEXT/1FRAME/index.htm | E255026 |
|---------------|--|---|---------|

| | | | |
|----------------|--|---|---------|
| cUL Recognized | | http://database.ul.com/cgi-bin/XYV/template/LISEXT/1FRAME/index.htm | E255026 |
|----------------|--|---|---------|

| | | | |
|-----|--|--|--------------------------|
| EAC | | | RU C- DE.AI30.B.01102 |
|-----|--|--|--------------------------|

| | | | |
|--------|--|---|------------|
| DNV GL | | https://approvalfinder.dnvgl.com/ | TAE000037S |
|--------|--|---|------------|

| | | | |
|------------------|--|--|--|
| cULus Recognized | | | |
|------------------|--|--|--|

Accessories

Accessories

Device marking

Snap-in markers - US-EMP (20X9) - 0829439



Snap-in markers, Card, white, unlabeled, can be labeled with: BLUEMARK ID COLOR, BLUEMARK ID, THERMOMARK PRIME, THERMOMARK CARD 2.0, THERMOMARK CARD, mounting type: snapped into marker carrier, lettering field size: 20 x 9 mm, Number of individual labels: 70

Housing latches

Housing - HC-EVO-B10-BWS-PLRBK - 1407632

Accessories

Single locking latch - HC-B10-SL-PLBK - 1407698



Replacement single locking latch for HEAVYCON EVO housing type B10, PA

Seal

Flat gasket - HC-B10-SG-RBK - 1407703



Replacement flat gasket, for HEAVYCON EVO panel mounting base type B10

Profile gasket - HC-B10-SP-RBK - 1407707



Profile gasket for HEAVYCON EVO supporting base element type B10
