

Flush-type socket - SACC-DSI-FSY-8CON-M16-L180 SCO - 1407503

Please be informed that the data shown in this PDF Document is generated from our Online Catalog. Please find the complete data in the user's documentation. Our General Terms of Use for Downloads are valid (<http://phoenixcontact.com/download>)



Hybrid flush-type socket, Ethernet, 8-pos., M12 SPEEDCON, rear/screw mounting with M16 thread, with straight solder connection


M12 panel feed-through, rear mounting

Your advantages

- ✓ Easy PCB assembly: one-piece connectors for wave soldering
- ✓ All standard pin assignments and codings for signal, data, and power transmission with a uniform design-in design
- ✓ For high transmission reliability: optional shield connection to the housing by means of shield contact



Key Commercial Data

Packing unit	1 pc
Minimum order quantity	20 pc
GTIN	 4 046356 807920
GTIN	4046356807920
Weight per Piece (excluding packing)	17.000 g
Custom tariff number	85366990
Country of origin	Germany

Technical data

Ambient conditions

Degree of protection	IP67
Ambient temperature (operation)	-25 °C ... 85 °C
	-40 °C ... 85 °C (without mechanical actuation)

General data

Flush-type socket - SACC-DSI-FSY-8CON-M16-L180 SCO - 1407503

Technical data

General data

Note	The electrical and mechanical data specified assume that the connector pair is correctly locked and mounted. If the connector is unlocked and if there is a danger of contamination, the connector must be sealed using a protective cap > IP54. Influences arising from litz wires, cables or PCB assembly must also be taken into consideration.
Rated current at 40°C	0.5 A (Data)
	6 A (Power)
Rated voltage	48 V AC (Power and data)
	50 V DC (Power and data)
Rated surge voltage	0.8 kV
Number of positions	8
Signal type/category	Ethernet hybrid CAT5 (IEC 11801:2002), 100 Mbps
Standards/regulations	M12 connector IEC 61076-2-113
Overvoltage category	III
Degree of pollution	3
Connection method	Solder-in connection
Contact material	CuZn
Contact carrier material	PPA
Contact surface material	Ni/Au
Degree of protection	IP67, when plugged in
Transmission characteristics (category)	CAT5 (IEC 11801:2002)

Characteristics head 1

Shielded	yes
Type type, plug side	Flush-type socket, straight

Standards and Regulations

Standards/specifications	M12 connector IEC 61076-2-113
Flammability rating according to UL 94	V0

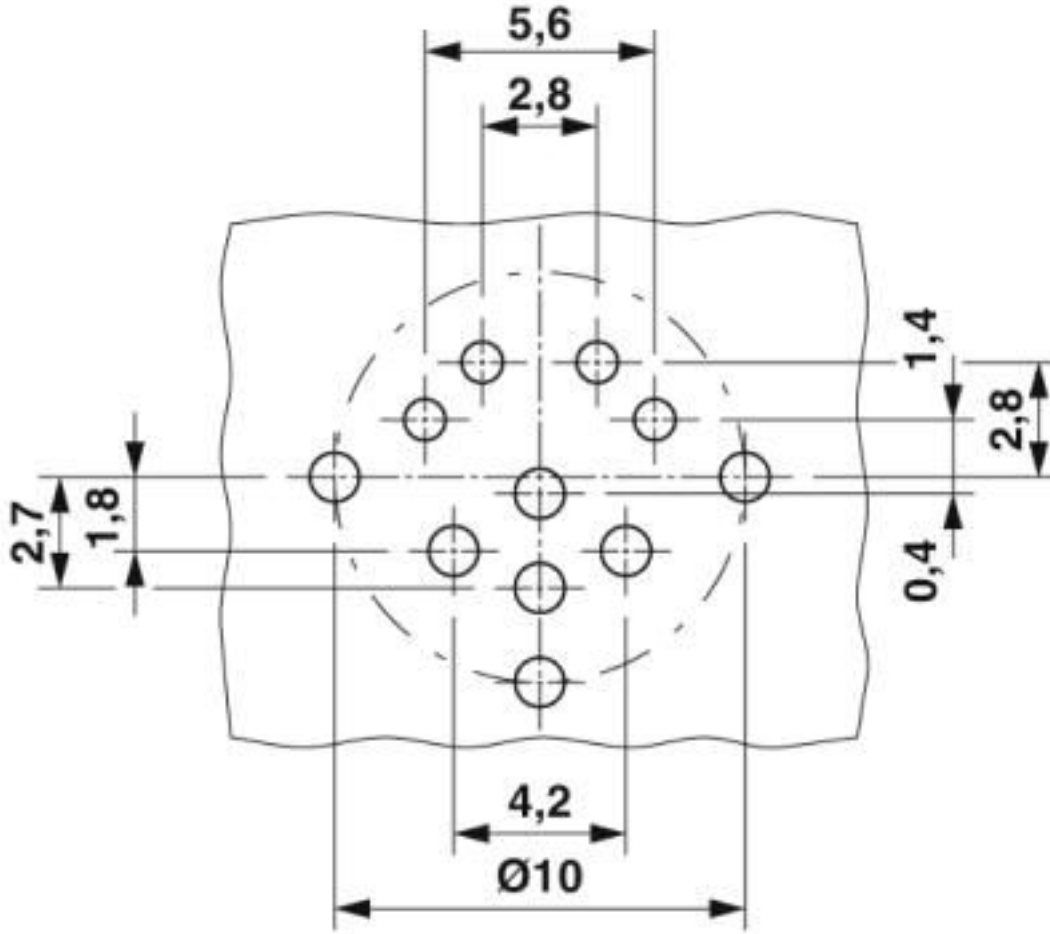
Environmental Product Compliance

REACH SVHC	Lead 7439-92-1
China RoHS	Environmentally Friendly Use Period = 50 years
	For details about hazardous substances go to tab "Downloads", Category "Manufacturer's declaration"

Drawings

Flush-type socket - SACC-DSI-FSY-8CON-M16-L180 SCO - 1407503

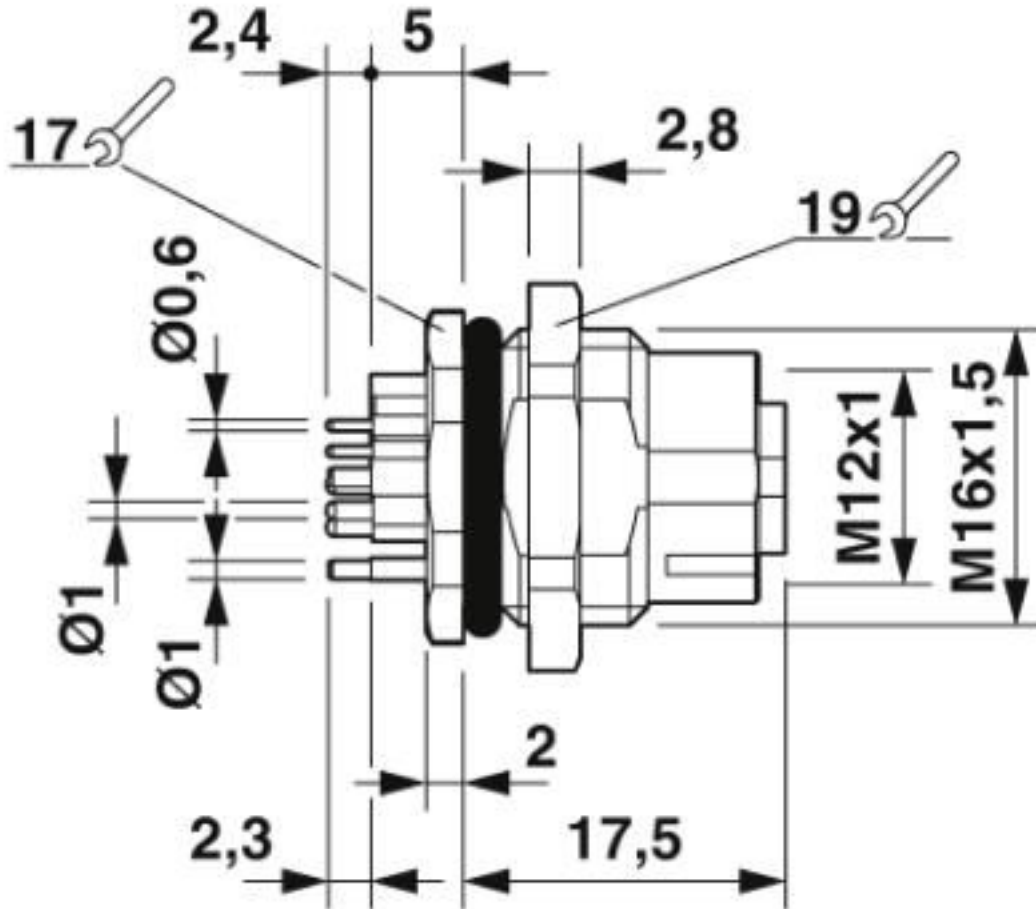
Drilling diagram



Drilling diagram (drill hole layout determined by customer, according to the soldering process)

Flush-type socket - SACC-DSI-FSY-8CON-M16-L180 SCO - 1407503

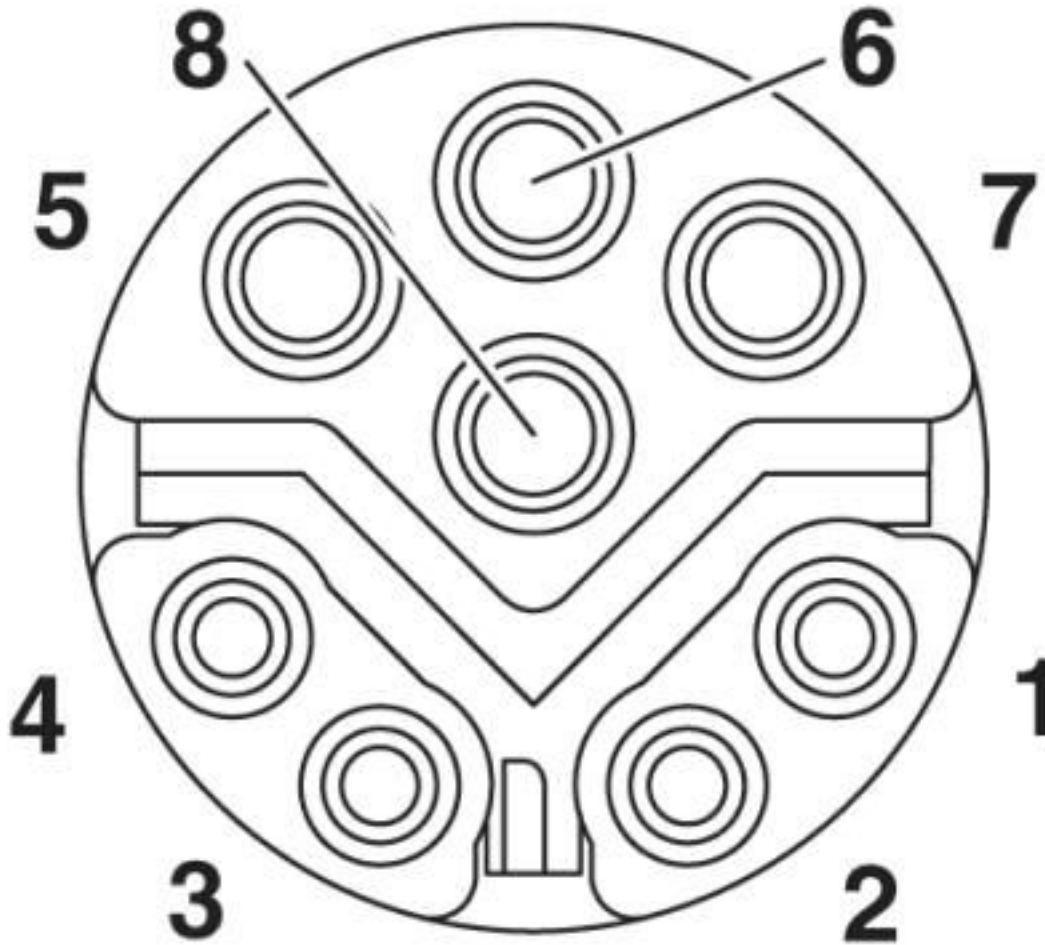
Dimensional drawing



M12 flush-type socket, 180° connection, contact length: 6 mm

Flush-type socket - SACC-DSI-FSY-8CON-M16-L180 SCO - 1407503

Schematic diagram



Pin assignment of socket, 8-pos., Y-coded, socket side view

Classifications

eCl@ss

eCl@ss 10.0.1	27440102
eCl@ss 4.0	27260700
eCl@ss 4.1	27260700
eCl@ss 5.0	27260700
eCl@ss 5.1	27260700
eCl@ss 6.0	27279200
eCl@ss 7.0	27440103
eCl@ss 8.0	27440103

Flush-type socket - SACC-DSI-FSY-8CON-M16-L180 SCO - 1407503

Classifications

eCl@ss

eCl@ss 9.0	27440102
------------	----------

ETIM

ETIM 3.0	EC001031
ETIM 4.0	EC002498
ETIM 5.0	EC002061
ETIM 6.0	EC002061

UNSPSC

UNSPSC 6.01	31261501
UNSPSC 7.0901	31261501
UNSPSC 11	31261501
UNSPSC 12.01	31261501
UNSPSC 13.2	39121413
UNSPSC 18.0	39121413
UNSPSC 19.0	39121413
UNSPSC 20.0	39121413
UNSPSC 21.0	39121413

Approvals


Approvals

Approvals

UL Recognized / cUL Recognized / EAC / cULus Recognized

Ex Approvals

Approval details

UL Recognized		http://database.ul.com/cgi-bin/XYV/template/LISEXT/1FRAME/index.htm	E335024-20120308
Nominal voltage UN	30 V		
Nominal current IN	4.5 A		

Flush-type socket - SACC-DSI-FSY-8CON-M16-L180 SCO - 1407503

Approvals

cUL Recognized		http://database.ul.com/cgi-bin/XYV/template/LISEXT/1FRAME/index.htm	E335024-20120308
Nominal voltage UN		30 V	
Nominal current IN		4.5 A	

EAC		B.01687
-----	--	---------

cULus Recognized	
------------------	--

Accessories

Accessories

Plug for cable screw gland

Screw plug - PROT-M12 - 1680539



An M12 screw plug for the unoccupied M12 sockets of the sensor/actuator cable, boxes and flush-type connectors

Screw plug - PROT-M12 SH - 1503302



An M12 screw plug for the unoccupied M12 sockets of the shielded sensor/actuator cable, boxes and flush-type connectors

Flush-type socket - SACC-DSI-FSY-8CON-M16-L180 SCO - 1407503

Accessories

Screw plug - PROT-M12 FB - 1555538



M12 high-grade steel screw plug, for unoccupied M12 sockets of the sensor/actuator cables, boxes and flush-type connectors for the food industry