

# Contact insert - HC-HS06-I-UT-M - 1406531

Please be informed that the data shown in this PDF Document is generated from our Online Catalog. Please find the complete data in the user's documentation. Our General Terms of Use for Downloads are valid (<http://phoenixcontact.com/download>)



HEAVYCON male insert, HS6 series, 6-pos., screw connection

## Your advantages

- For fast coding with plastic profile



## Key Commercial Data

Packing unit	1 pc
GTIN	
GTIN	4046356926270
Weight per Piece (excluding packing)	100.000 g
Custom tariff number	85366990
Country of origin	China

## Technical data

### General

Note	For HEAVYCON housing B16 and B32
	Connectors may be operated only when there is no load/voltage.
Connection method	Screw connection
Tightening torque	1.2 Nm
Torque	0.8 Nm ... 1.2 Nm (PE connection)
	0.5 Nm ... 0.8 Nm (Mounting screws for mounting in the HEAVYCON housing)
Number of connections per position	1
Degree of pollution	3

# Contact insert - HC-HS06-I-UT-M - 1406531

## Technical data

### General

Overvoltage category	III
Number of positions	6+PE
Insertion/withdrawal cycles	≥ 500
Size	B16
	B32
Contact numbering	1 - 6
Conductor cross section	0.5 mm <sup>2</sup> ... 6 mm <sup>2</sup> (power contacts)
Connection cross section AWG	20 ... 10
Stripping length of the individual wire	10 mm
Assembly instructions	To ensure correct use, installation in housing with IP54 protection or better is required

### Ambient conditions

Ambient temperature (operation)	-40 °C ... 125 °C (including heating up of contacts)
---------------------------------	--

### Material data

Contact material	Copper alloy
Contact surface material	Ag
Contact carrier material	PC
Standards/regulations	PC: Fire protection in rail vehicles - requirement sets R22, R23, and R24 acc. to DIN EN 45545-2 (Risk level HL1 - HL3)

### Electrical characteristics

Rated voltage for power contacts	400/690 V
Rated voltage (III/3)	400 V (Conductor-PE)
	690 V (Conductor-Conductor)
Rated surge voltage	6 kV (power contacts)
Rated current	41 A (power contacts)

### Standards and Regulations

Flammability rating according to UL 94	V0
--	----

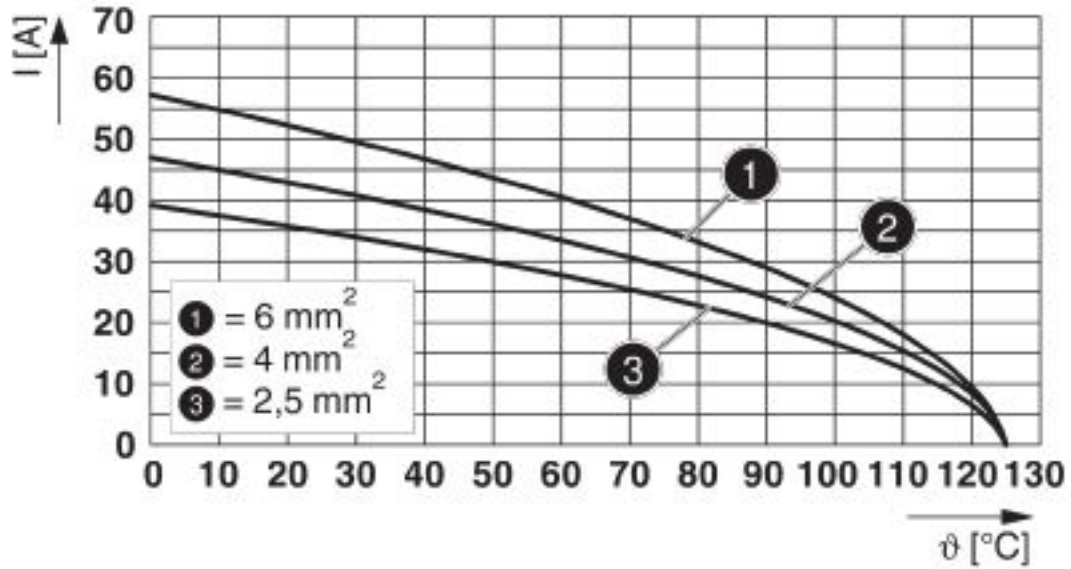
### Environmental Product Compliance

REACH SVHC	Lead 7439-92-1
China RoHS	Environmentally Friendly Use Period = 50 years
	For details about hazardous substances go to tab "Downloads", Category "Manufacturer's declaration"

## Drawings

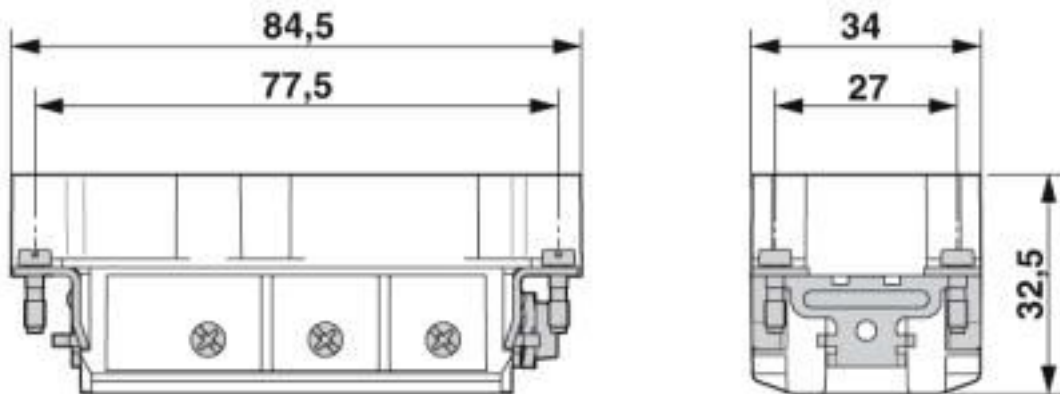
# Contact insert - HC-HS06-I-UT-M - 1406531

Diagram



Derating diagram

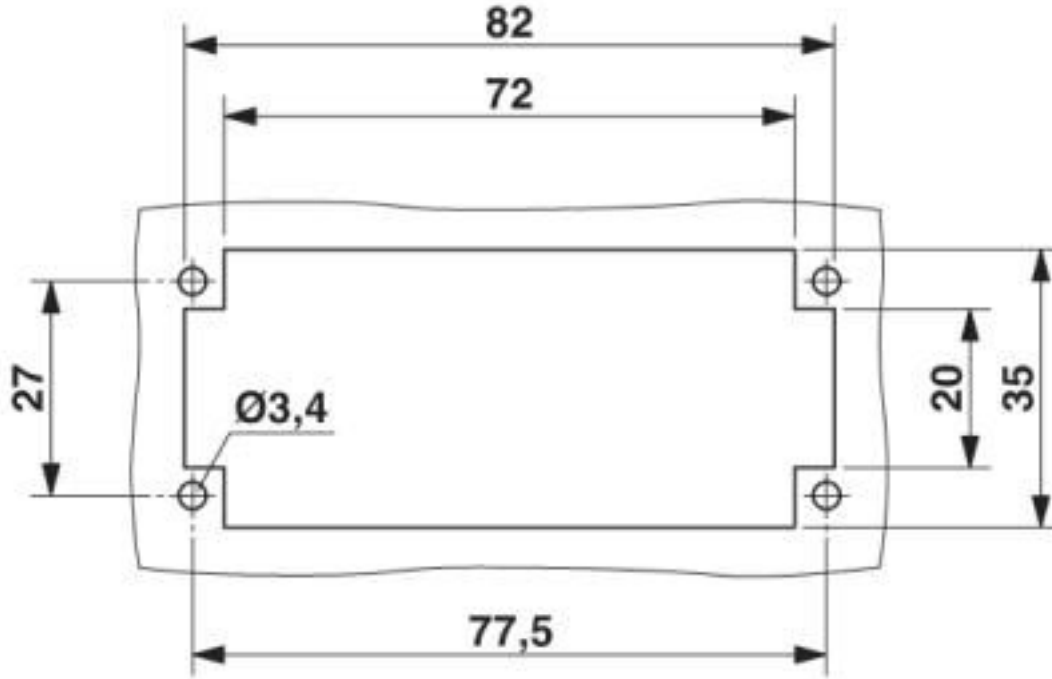
Dimensional drawing



Male insert

# Contact insert - HC-HS06-I-UT-M - 1406531

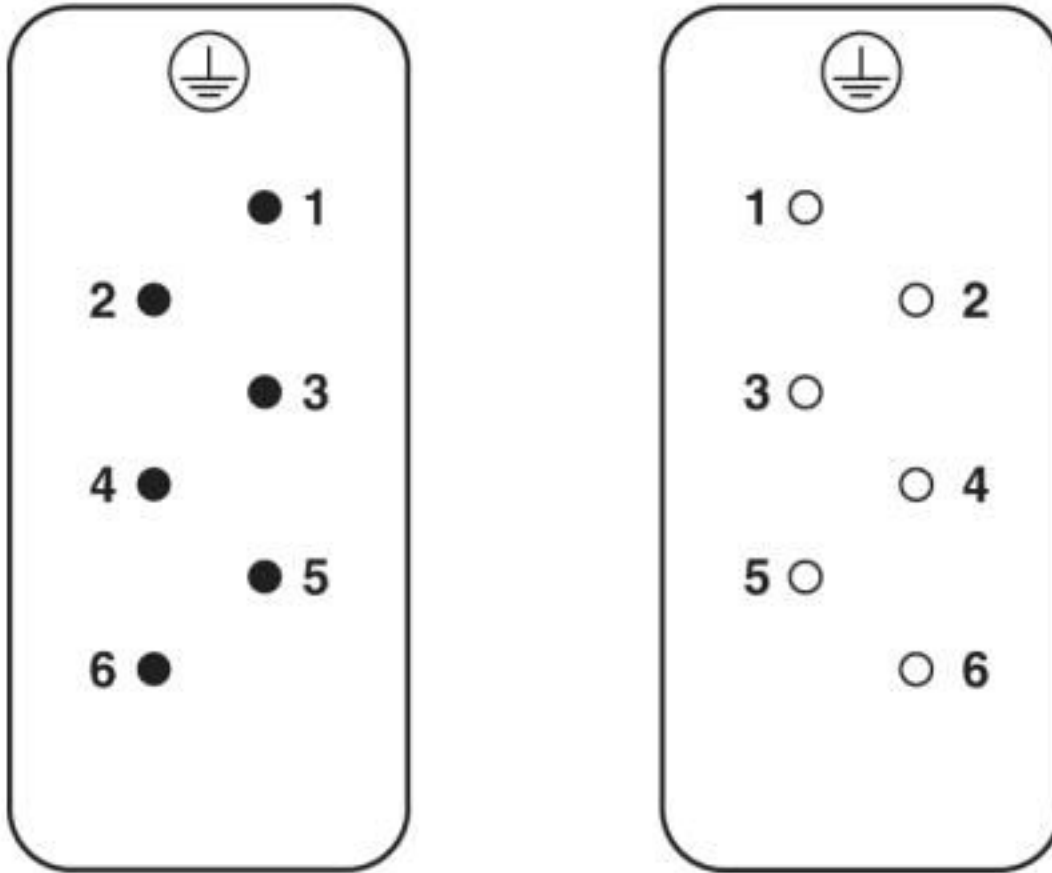
Dimensional drawing



Mounting cutout when used without housing

# Contact insert - HC-HS06-I-UT-M - 1406531

Schematic diagram



Connector pin assignment, connection side

## Classifications

eCl@ss

eCl@ss 10.0.1	27440205
eCl@ss 5.1	27261200
eCl@ss 6.0	27261200
eCl@ss 7.0	27440205
eCl@ss 8.0	27440205
eCl@ss 9.0	27440205

ETIM

ETIM 4.0	EC000438
ETIM 5.0	EC000438

# Contact insert - HC-HS06-I-UT-M - 1406531

## Classifications

### ETIM

ETIM 6.0	EC000438
ETIM 7.0	EC000438

### UNSPSC

UNSPSC 13.2	39121522
UNSPSC 18.0	39121522
UNSPSC 19.0	39121522
UNSPSC 20.0	39121522
UNSPSC 21.0	39121522

## Approvals


### Approvals


#### Approvals

CSA / UL Recognized / EAC / DNV GL / EAC

#### Ex Approvals

## Approval details

CSA		<a href="http://www.csagroup.org/services-industries/product-listing/">http://www.csagroup.org/services-industries/product-listing/</a>	013631_0_000
Nominal voltage UN		600 V	
Nominal current IN		32 A	
mm <sup>2</sup> /AWG/kcmil		10	

UL Recognized		<a href="http://database.ul.com/cgi-bin/XYV/template/LISEXT/1FRAME/index.htm">http://database.ul.com/cgi-bin/XYV/template/LISEXT/1FRAME/index.htm</a>	FILE E 118976
Nominal voltage UN		600 V	
Nominal current IN		35 A	
mm <sup>2</sup> /AWG/kcmil		10	

# Contact insert - HC-HS06-I-UT-M - 1406531

## Approvals

EAC		RU C- DE.AI30.B.01102
-----	--	--------------------------

DNV GL		<a href="https://approvalfinder.dnvgl.com/">https://approvalfinder.dnvgl.com/</a>	TAE000037S
--------	--	---	------------

EAC		RU C- DE.BL08.B.00511
-----	--	--------------------------

## Accessories

### Accessories

#### Coding element

Coding element - HC-CST - 1676857



Coding peg for coding up to 16 connectors

Coding element - HC-CBU - 1676860



Coding socket for coding up to 16 connectors

Coding bolt - HC-CB - 1772722



Coding pin, prevents mismatching of up to six connectors with an identical number of positions

## Contact insert - HC-HS06-I-UT-M - 1406531

### Accessories

Coding profile - CP-HC - 1686478



Coding profile, 4 coding profiles per strip, for insertion in coding keyways

---

### Mounting material

Screw - HC-HS-PES - 1586219



PE screw, for HC-HS contact inserts

---

### Additional products

Contact insert - HC-HS06-I-UT-F - 1406530



HEAVYCON female insert, HS6 series, 6-pos., screw connection