

Coupling - VS-MP-PPC/PPC-PO/1G - 1406395

Please be informed that the data shown in this PDF Document is generated from our Online Catalog. Please find the complete data in the user's documentation. Our General Terms of Use for Downloads are valid (<http://phoenixcontact.com/download>)




Multi-port power and data coupling; for passive PROFINET cabling to robots, including mounting foot.

Product Description

Push-pull coupling



Key Commercial Data

Packing unit	1
GTIN	 4 046356 765961
GTIN	4046356765961
Custom tariff number	85366990

Technical data

General data

Rated voltage (III/3)	72 V (DC)
Degree of protection	IP65

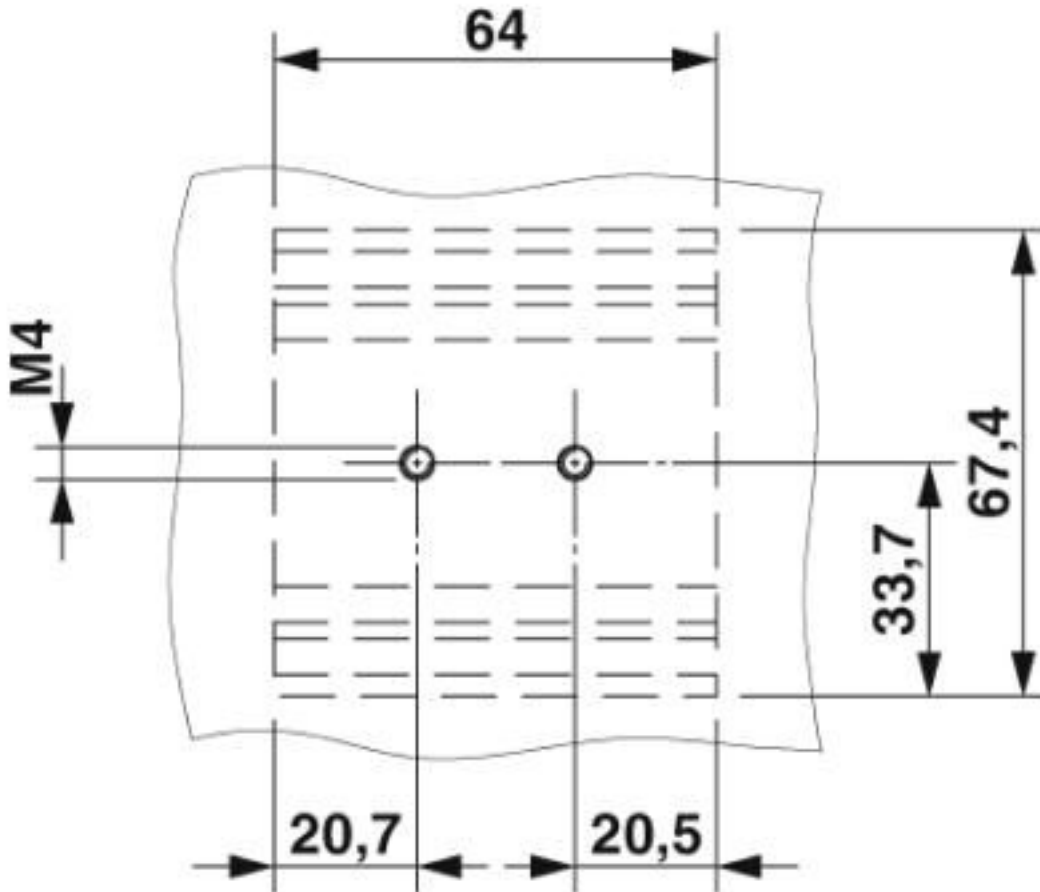
Environmental Product Compliance

REACH SVHC	Lead 7439-92-1
China RoHS	Environmentally Friendly Use Period = 50 years
	For details about hazardous substances go to tab "Downloads", Category "Manufacturer's declaration"

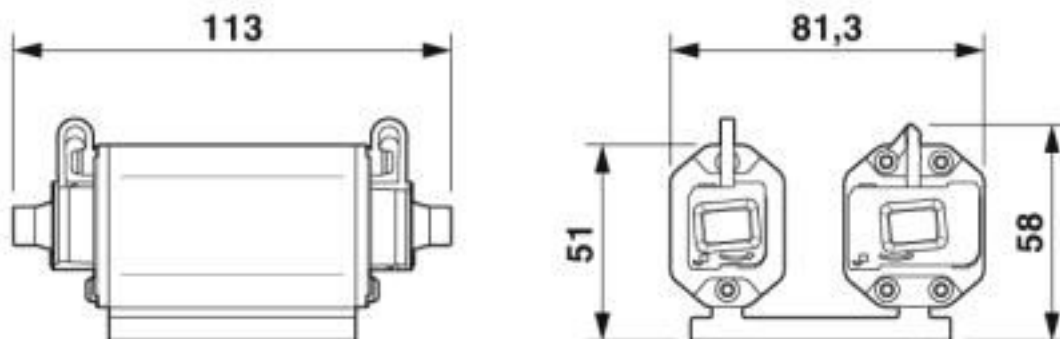
Drawings

Coupling - VS-MP-PPC/PPC-PO/1G - 1406395

Drilling diagram



Dimensional drawing



Coupling - VS-MP-PPC/PPC-PO/1G - 1406395

Classifications

eCl@ss

eCl@ss 10.0.1	19170101
eCl@ss 4.0	24010700
eCl@ss 4.1	24010700
eCl@ss 5.0	19030500
eCl@ss 5.1	19030500
eCl@ss 6.0	27069200
eCl@ss 7.0	27069204
eCl@ss 8.0	27069204
eCl@ss 9.0	19170101

ETIM

ETIM 3.0	EC000830
ETIM 4.0	EC002061
ETIM 5.0	EC000515
ETIM 6.0	EC000515
ETIM 7.0	EC000515

UNSPSC

UNSPSC 6.01	26121616
UNSPSC 7.0901	26121616
UNSPSC 11	26121604
UNSPSC 12.01	31261501
UNSPSC 13.2	43201404
UNSPSC 18.0	43201404
UNSPSC 19.0	43201404
UNSPSC 20.0	43201404
UNSPSC 21.0	43201404

Approvals

Approvals

Approvals


EAC

Ex Approvals

Coupling - VS-MP-PPC/PPC-PO/1G - 1406395

Approvals

Approval details

EAC		B.01687
-----	---	---------