

RJ45 connector - CUC-IND-C1ZNI-S/R4QV6:30 - 1406353

Please be informed that the data shown in this PDF Document is generated from our Online Catalog. Please find the complete data in the user's documentation. Our General Terms of Use for Downloads are valid (<http://phoenixcontact.com/download>)



RJ45 connector, degree of protection: IP20, number of positions: 6, 100 Mbps, CAT5 (IEC 11801:2002), material: Zinc die-cast, connection method: IDC fast connection, connection cross section: AWG 26- 24, cable outlet: straight, High degree of resistance to vibration; 360° shielding; one-piece design; special tool-free assembly

Your advantages

- assembly without special tools
- One-Piece Design
- 360° shielding
- High shock and vibration resistance
- Value pack with 30 pcs.



Key Commercial Data

Packing unit	1 pc
Minimum order quantity	30 pc
GTIN	 4 046356 760997
GTIN	4046356760997
Weight per Piece (excluding packing)	16.000 g
Custom tariff number	85366990
Country of origin	Poland

Technical data

Mechanical characteristics

Connection method	IDC fast connection
Minimum external conductor diameter	5 mm
Maximum external conductor diameter	9 mm
AWG solid min.	26

RJ45 connector - CUC-IND-C1ZNI-S/R4QV6:30 - 1406353

Technical data

Mechanical characteristics

AWG solid max.	24
AWG multi-stranded min.	23
AWG multi-stranded max.	22
Cable outlet	straight
No. of cable outlets	1
Conductor cross section	4x 0.25 mm ² ... 0.34 mm ² (Data (solid and stranded))
	2x 0.32 mm ² (Power (solid and stranded))
Weight	15.99 g
Flammability rating according to UL 94	V0

Ambient conditions

Ambient temperature (operation)	-40 °C ... 70 °C
---------------------------------	------------------

Material data

Contact surface material	Gold over nickel
Contact material	Copper alloy
Contact carrier material	PC
Housing material	Zinc die-cast
Width	13.65 mm
Height	53 mm
Length	14.4 mm
Housing material	GD-Zn
Housing surface material 1	Nickel-plated

Electrical characteristics

Number of positions	6
Nominal voltage U _N	48 V
Transmission speed	100 Mbps
Transmission characteristics (category)	CAT5 (IEC 11801:2002)
GRP transmission properties	CAT5 (IEC 11801:2002) CAT5 (IEC 11801:2002)
Transmission speed	100 Mbps
Frequency range	to 100 MHz
Rated current	1.75 A
Rated voltage (III/3)	72 V (DC)

Standards and Regulations

Flammability rating according to UL 94	V0
--	----

Environmental Product Compliance

China RoHS	Environmentally friendly use period: unlimited = EFUP-e
------------	---

RJ45 connector - CUC-IND-C1ZNI-S/R4QV6:30 - 1406353

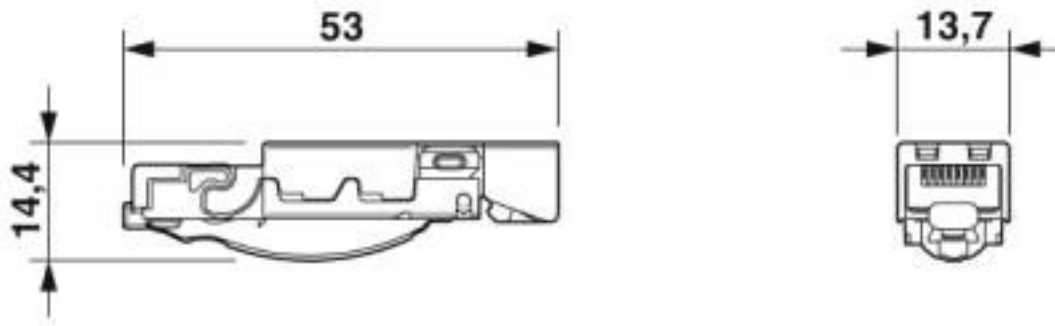
Technical data

Environmental Product Compliance

	No hazardous substances above threshold values
--	--

Drawings

Dimensional drawing



Classifications

eCl@ss

eCl@ss 10.0.1	27440101
eCl@ss 4.0	27260700
eCl@ss 4.1	27260700
eCl@ss 5.0	27260700
eCl@ss 5.1	27260700
eCl@ss 6.0	27260700
eCl@ss 7.0	27440101
eCl@ss 8.0	27440101
eCl@ss 9.0	27440101

ETIM

ETIM 3.0	EC001121
ETIM 4.0	EC002643
ETIM 5.0	EC002636
ETIM 6.0	EC002636
ETIM 7.0	EC002636

UNSPSC

UNSPSC 6.01	30211810
UNSPSC 7.0901	39121409

RJ45 connector - CUC-IND-C1ZNI-S/R4QV6:30 - 1406353

Classifications

UNSPSC

UNSPSC 11	39121409
UNSPSC 12.01	39121409
UNSPSC 13.2	39121409
UNSPSC 18.0	39121409
UNSPSC 19.0	39121409
UNSPSC 20.0	39121409
UNSPSC 21.0	39121409

Approvals

Approvals

Approvals

EAC

Ex Approvals

Approval details

EAC		B.01687
-----	--	---------

Accessories

Accessories

Electronics pliers

Diagonal cutter - MICROFOX-SP-1 - 1212487



Electronic diagonal cutter, tapered head, without chamfer, with opening spring, non-reflective phosphate-treated surface, punched version

Terminal marking

RJ45 connector - CUC-IND-C1ZNI-S/R4QV6:30 - 1406353

Accessories

Marker for terminal blocks - TMT 5 R - 0816430



Marker for terminal blocks. Roll, white, unlabeled, can be labeled with: THERMOMARK ROLL 2.0, THERMOMARK ROLL, THERMOMARK ROLL X1, THERMOMARK ROLLMASTER 300/600, THERMOMARK X1.2, THERMOMARK S1.1, perforated, mounting type: snap into universal marker groove, snap into flat marker groove, for terminal block width: 5.2 mm, lettering field size: 6.4 x 5.15 mm, Number of individual labels: 19000

Stripping tool - VS-CABLE-STRIP-VARIO - 1657407



Stripping tool, for the multi-level stripping of shielded cables