

Power distributor - VS-PPC-J-4X-1227 - 1405387

Please be informed that the data shown in this PDF Document is generated from our Online Catalog. Please find the complete data in the user's documentation. Our General Terms of Use for Downloads are valid (<http://phoenixcontact.com/download>)

Power H distributor, 4 x MSTB contact inserts, metal housing, without mounting screws



Power H distributor

Product Description

Power H distributor



Key Commercial Data

| | |
|--------------------------------------|---|
| Packing unit | 1 pc |
| GTIN |  4 046356 419918 |
| GTIN | 4046356419918 |
| Weight per Piece (excluding packing) | 149.900 g |
| Custom tariff number | 85444290 |
| Country of origin | Germany |

Technical data

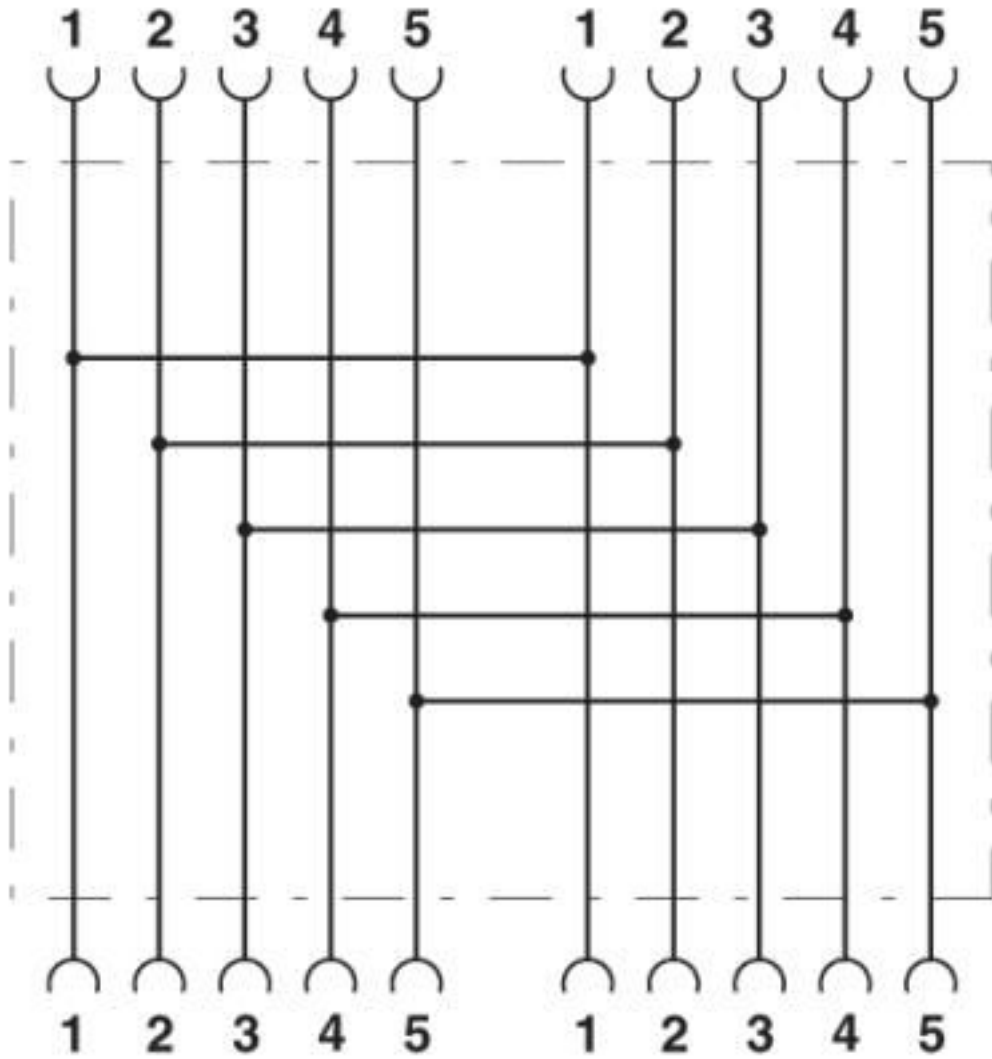
Environmental Product Compliance

| | |
|------------|---|
| China RoHS | For details about hazardous substances go to tab "Downloads", Category "Manufacturer's declaration" |
|------------|---|

Drawings

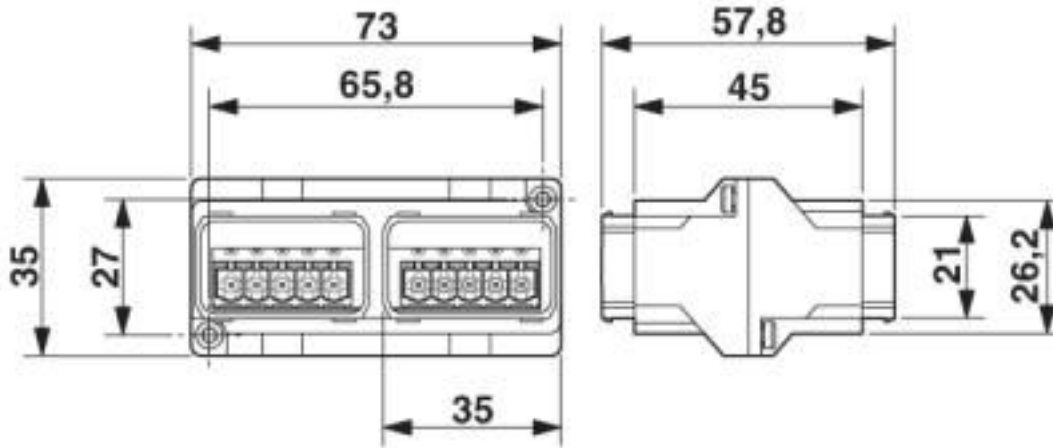
Power distributor - VS-PPC-J-4X-1227 - 1405387

Circuit diagram



Power distributor - VS-PPC-J-4X-1227 - 1405387

Dimensional drawing



Classifications

eCl@ss

| | |
|---------------|----------|
| eCl@ss 10.0.1 | 27440390 |
| eCl@ss 4.0 | 27260700 |
| eCl@ss 4.1 | 27260700 |
| eCl@ss 5.0 | 27260700 |
| eCl@ss 5.1 | 27260700 |
| eCl@ss 6.0 | 27260700 |
| eCl@ss 7.0 | 27440312 |
| eCl@ss 8.0 | 27149009 |
| eCl@ss 9.0 | 27440390 |

ETIM

| | |
|----------|----------|
| ETIM 3.0 | EC000374 |
| ETIM 4.0 | EC000374 |
| ETIM 5.0 | EC000374 |
| ETIM 6.0 | EC001121 |
| ETIM 7.0 | EC001121 |

UNSPSC

| | |
|---------------|----------|
| UNSPSC 6.01 | 31261501 |
| UNSPSC 7.0901 | 31261501 |
| UNSPSC 11 | 31261501 |
| UNSPSC 12.01 | 31261501 |
| UNSPSC 13.2 | 31261501 |

Power distributor - VS-PPC-J-4X-1227 - 1405387

Classifications

UNSPSC

| | |
|-------------|----------|
| UNSPSC 18.0 | 39121409 |
| UNSPSC 19.0 | 39121409 |
| UNSPSC 20.0 | 39121409 |
| UNSPSC 21.0 | 39121409 |

Approvals

Approvals

Approvals

EAC

Ex Approvals

Approval details

| | | |
|-----|--|---------|
| EAC | | B.01687 |
|-----|--|---------|

Accessories

Additional products

Assembly adapters - VS-PPC-J-M - 1405390



Mounting foot for the power H distributors, plastic

Power connectors - CUC-PPC-C2ZNI-SX/24FKP5 - 1421783



Power connectors, degree of protection: IP65/IP67, number of positions: 5, material: Zinc die-cast, connection cross section: AWG 18- 13, cable outlet: straight

Power distributor - VS-PPC-J-4X-1227 - 1405387

Accessories

Power connectors - CUC-PPC-C2ZNI-SS/24FKP5 - 1421785



Power connectors, degree of protection: IP65/IP67, number of positions: 5, material: Zinc die-cast, connection cross section: AWG 18- 13, cable outlet: straight

Power connectors - CUC-PPC-C2ZNI-SX/24FKP5:FC - 1425514



Power connectors, degree of protection: IP65/IP67, number of positions: 5, material: Zinc die-cast, connection cross section: AWG 18- 13, cable outlet: straight

Power connectors - CUC-PPC-C2ZNI-SS/24FKP5:FC - 1425515



Power connectors, degree of protection: IP65/IP67, number of positions: 5, material: Zinc die-cast, connection cross section: AWG 18- 13, cable outlet: straight
