

Panel mounting frames - VS-PPC-F1-SCRJ-MNNA-1RF - 1405374


Please be informed that the data shown in this PDF Document is generated from our Online Catalog. Please find the complete data in the user's documentation. Our General Terms of Use for Downloads are valid (<http://phoenixcontact.com/download>)



SC-RJ panel mounting frame, IP67, for push-pull interlocking, metal, with Freenet system, for rectangular mounting cutout, with seal and SC-RJ coupling (for POF, PCF, and GOF), without mounting screws



Key Commercial Data

Packing unit	1 pc
GTIN	 4 046356 419925
GTIN	4046356419925
Weight per Piece (excluding packing)	40.000 g
Custom tariff number	85389099
Country of origin	Germany

Technical data

Mechanical characteristics

Connection method	Push-Pull
Degree of pollution	2
Cable outlet	straight
Locking type	Push Pull
Weight	35.6 g
Flammability rating according to UL 94	V0

Ambient conditions

Ambient temperature (operation)	-40 °C ... 70 °C
Ambient temperature (assembly)	0 °C ... 50 °C
Ambient temperature (storage/transport)	-40 °C ... 70 °C
Degree of protection	IP67 (IP65/67)

Panel mounting frames - VS-PPC-F1-SCRJ-MNNA-1RF - 1405374

Technical data

Material data

Housing material	Zinc die-cast
Housing surface material	Nickel-plated
Width	22.2 mm
Height	42 mm

Electrical characteristics

Number of positions	2
Degree of pollution	2

Standards and Regulations

Flame resistance	yes
Resistance to oil	yes
Flammability rating according to UL 94	V0

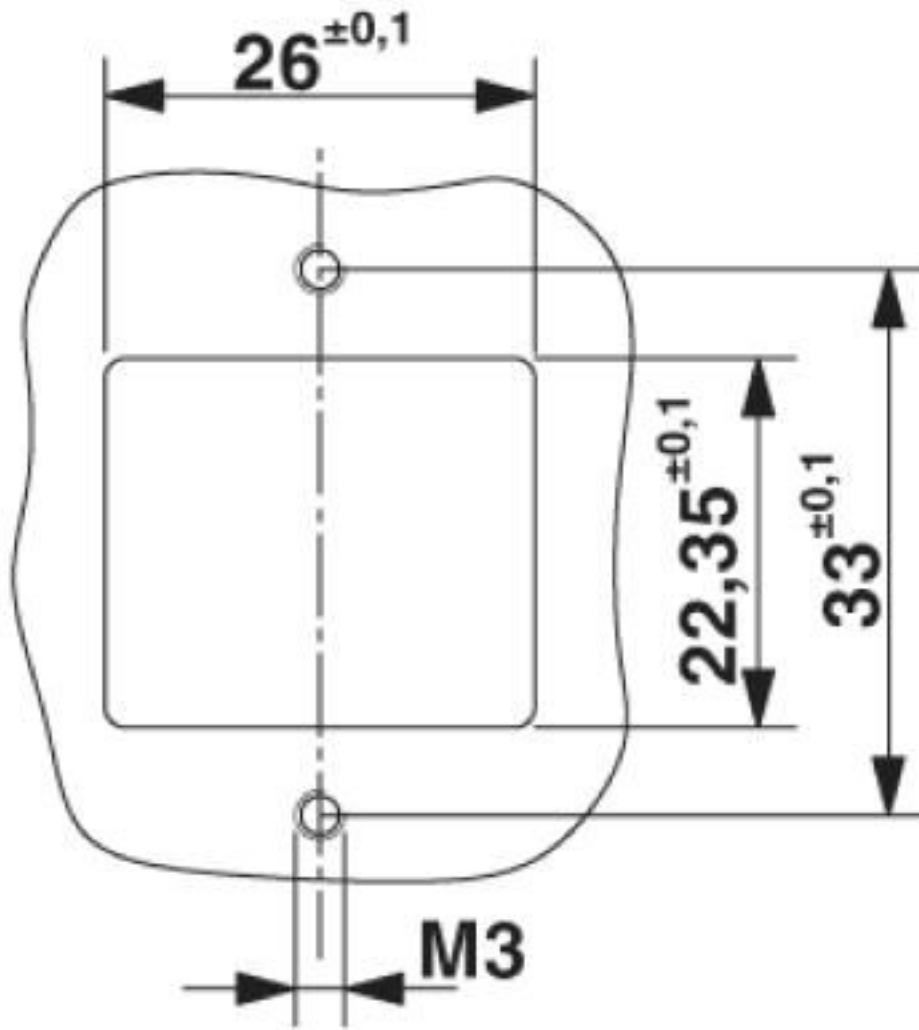
Environmental Product Compliance

China RoHS	For details about hazardous substances go to tab "Downloads", Category "Manufacturer's declaration"
------------	---

Drawings

Panel mounting frames - VS-PPC-F1-SCRJ-MNNA-1RF - 1405374

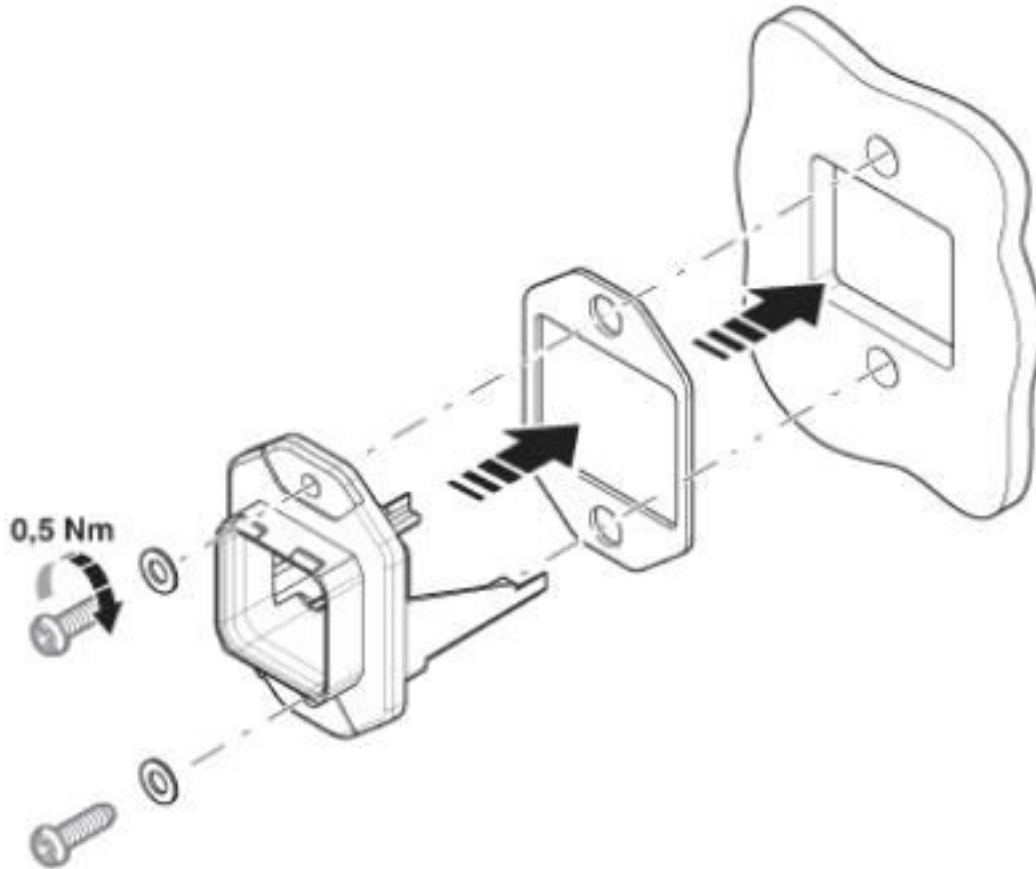
Dimensional drawing



Mounting cutout

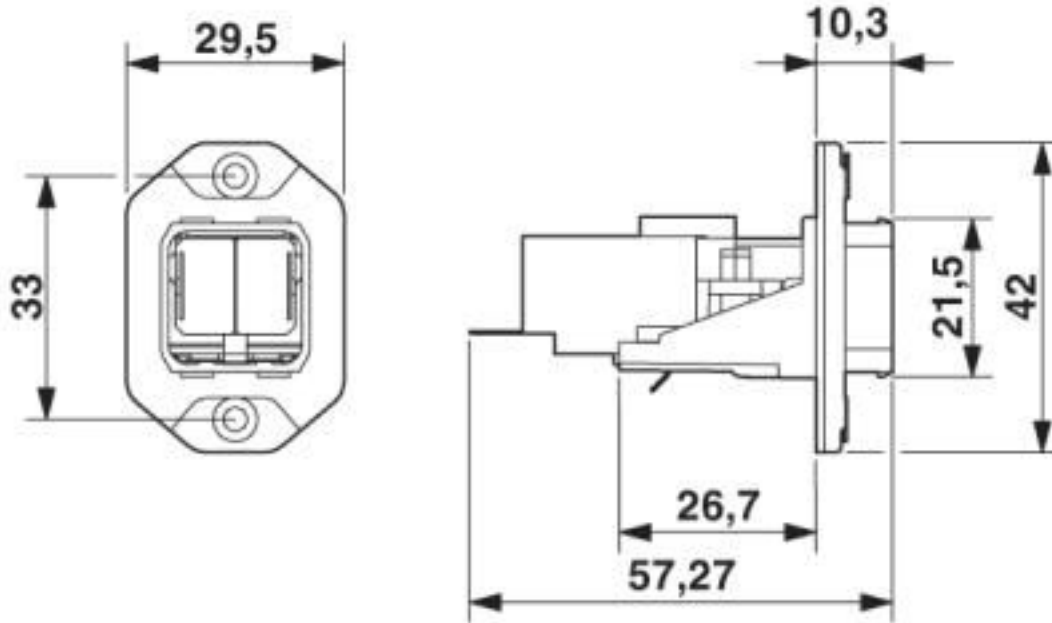
Panel mounting frames - VS-PPC-F1-SCRJ-MNNA-1RF - 1405374

Exploded view



Panel mounting frames - VS-PPC-F1-SCRJ-MNNA-1RF - 1405374

Dimensional drawing



Push-Pull SC-RJ panel mounting frame

Classifications

eCl@ss

eCl@ss 10.0.1	27440210
eCl@ss 4.0	27260700
eCl@ss 4.1	27260700
eCl@ss 5.0	27260700
eCl@ss 5.1	27260700
eCl@ss 6.0	27261200
eCl@ss 7.0	27440210
eCl@ss 8.0	27440210
eCl@ss 9.0	27440210

ETIM

ETIM 3.0	EC002310
ETIM 4.0	EC002310
ETIM 5.0	EC002310
ETIM 6.0	EC002310
ETIM 7.0	EC002310

Panel mounting frames - VS-PPC-F1-SCRJ-MNNA-1RF - 1405374

Classifications

UNSPSC

UNSPSC 6.01	31261501
UNSPSC 7.0901	31261501
UNSPSC 11	31261501
UNSPSC 12.01	31261501
UNSPSC 13.2	39121421
UNSPSC 18.0	39121421
UNSPSC 19.0	39121421
UNSPSC 20.0	39121421
UNSPSC 21.0	39121421

Approvals


Approvals

Approvals

EAC

Ex Approvals

Approval details

EAC		B.01742
-----	---	---------
