

## Panel mounting frame set - VS-PPC-F1-RJ45-MNNA-1R-FJJ - 1405361


Please be informed that the data shown in this PDF Document is generated from our Online Catalog. Please find the complete data in the user's documentation. Our General Terms of Use for Downloads are valid (<http://phoenixcontact.com/download>)



RJ45 panel mounting frame, IP67, for push-pull interlocking, metal, with the Freenet system, for rectangular mounting cutout, with seal, without mounting screws: incl. socket/socket insert



### Key Commercial Data

Packing unit	1
GTIN	 4 046356 419932
GTIN	4046356419932
Custom tariff number	85444995

### Technical data

#### Mechanical characteristics

Number of slots	2
Weight	44.3 g
Flammability rating according to UL 94	V0

#### Material data

Contact surface material	Au/Ni
Width	29.5 mm
Height	42 mm
Length	62.9 mm
Housing surface material 1	Cu/Ni

#### Electrical characteristics

Number of positions	8
Rated voltage (III/3)	72 V (DC)

## Panel mounting frame set - VS-PPC-F1-RJ45-MNNA-1R-FJJ - 1405361

### Technical data

#### Standards and Regulations

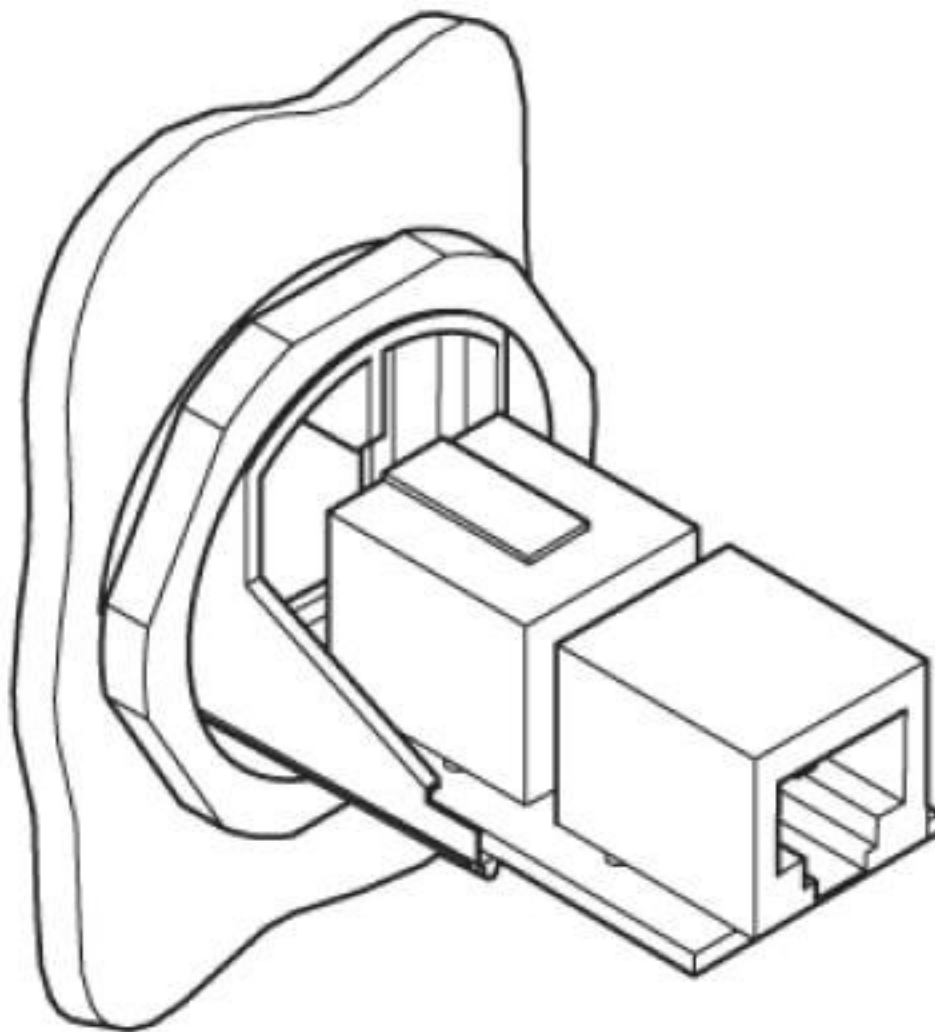
Flammability rating according to UL 94	V0
--	----

#### Environmental Product Compliance

China RoHS	For details about hazardous substances go to tab "Downloads", Category "Manufacturer's declaration"
------------	---

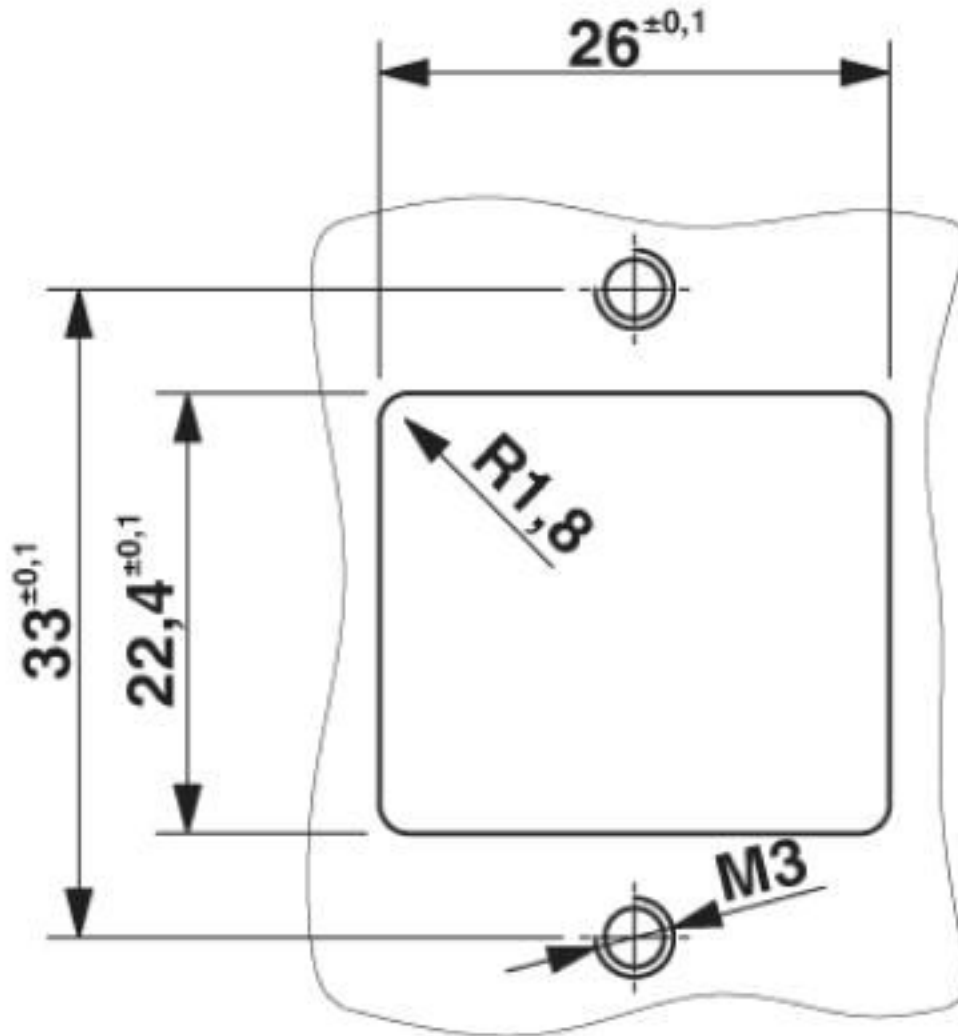
### Drawings

Schematic diagram



# Panel mounting frame set - VS-PPC-F1-RJ45-MNNA-1R-FJJ - 1405361

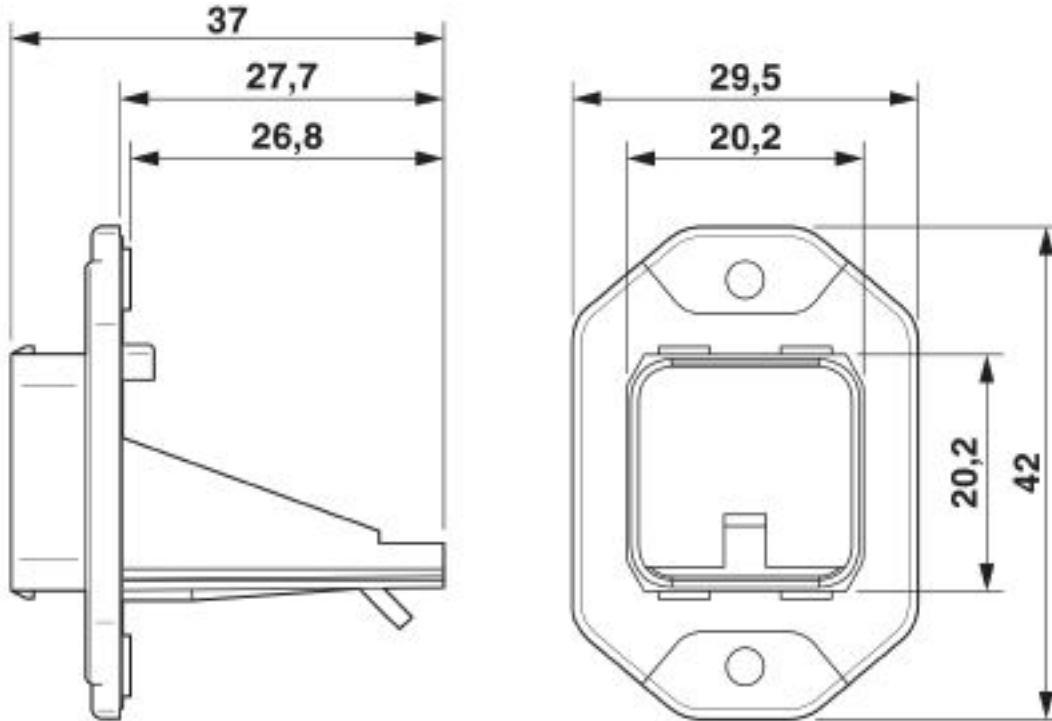
Dimensional drawing



Mounting cutout

# Panel mounting frame set - VS-PPC-F1-RJ45-MNNA-1R-FJJ - 1405361

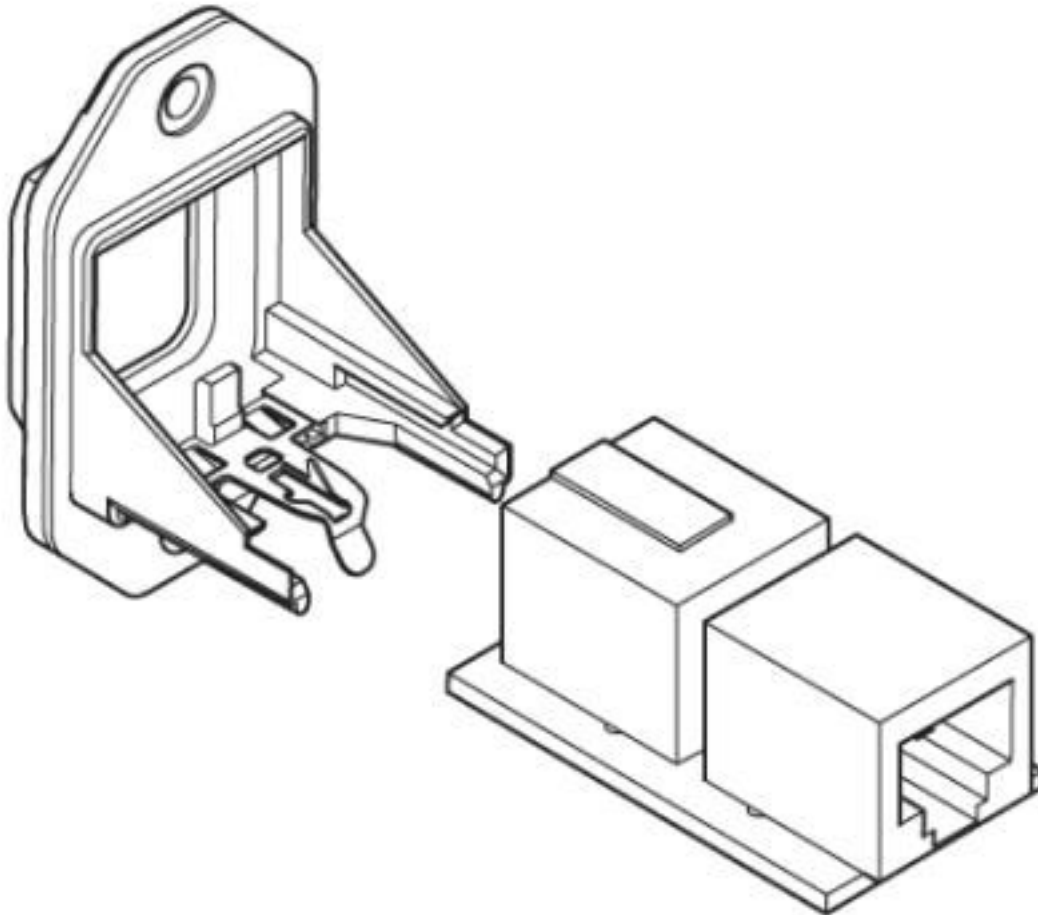
Dimensional drawing



Push-Pull panel mounting frame, Freenet system, IP67

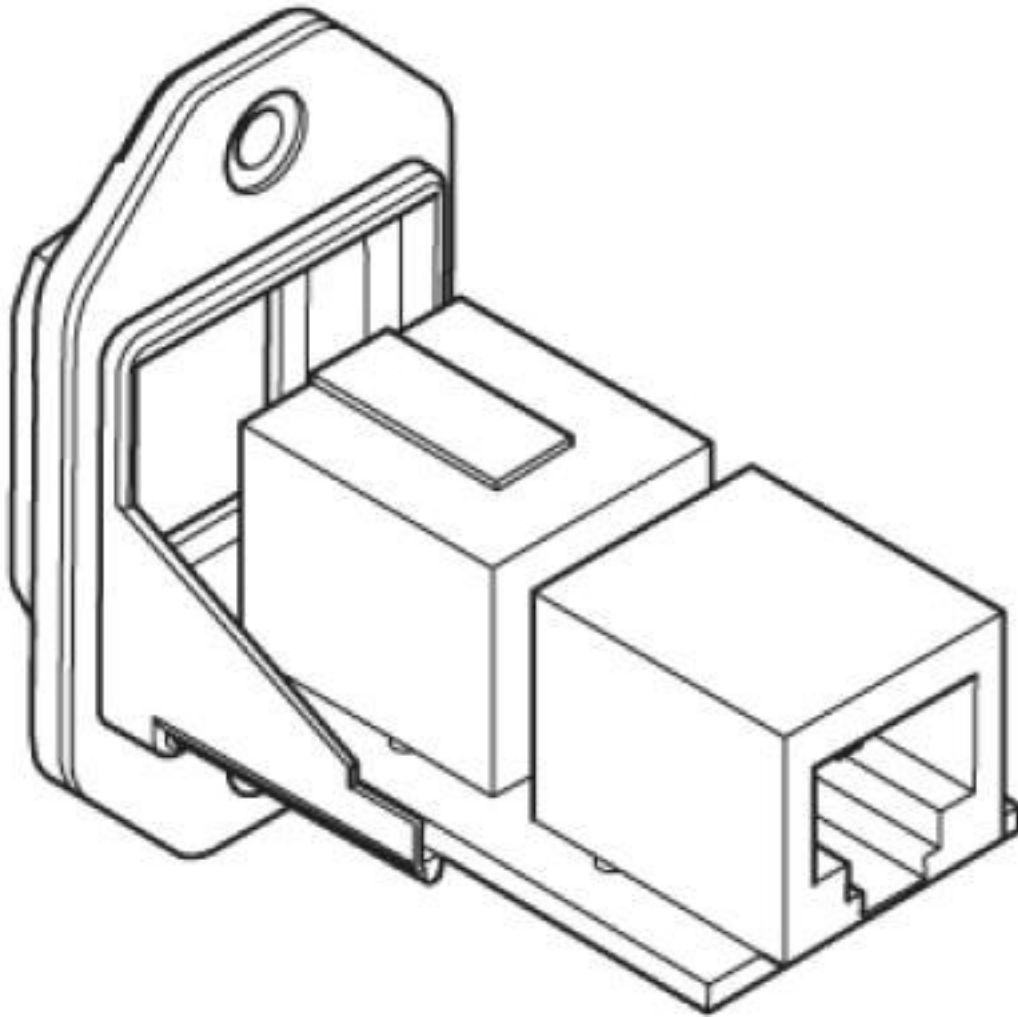
# Panel mounting frame set - VS-PPC-F1-RJ45-MNNA-1R-FJJ - 1405361

Schematic diagram



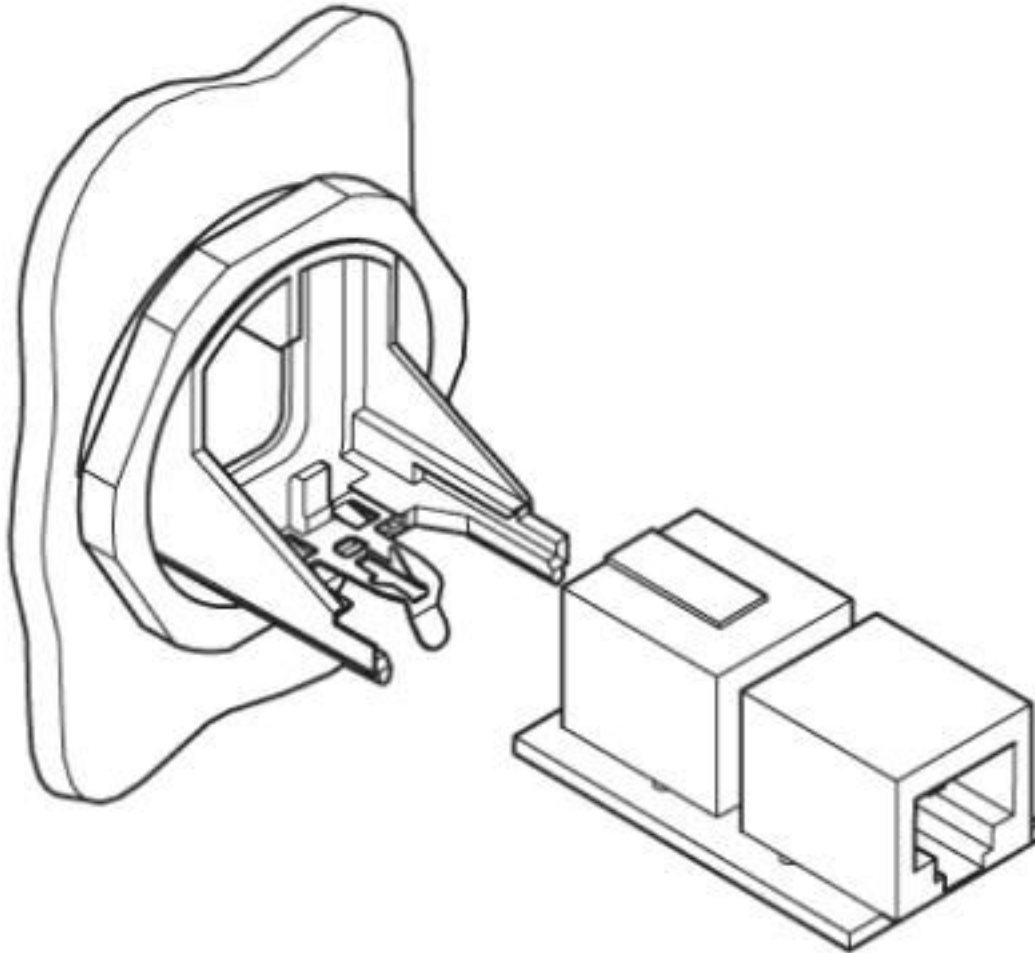
## Panel mounting frame set - VS-PPC-F1-RJ45-MNNA-1R-FJJ - 1405361

Schematic diagram



# Panel mounting frame set - VS-PPC-F1-RJ45-MNNA-1R-FJJ - 1405361

Schematic diagram



## Classifications

eCl@ss

eCl@ss 10.0.1	27440210
eCl@ss 4.0	27260700
eCl@ss 4.1	27260700
eCl@ss 5.0	27260700
eCl@ss 5.1	27260700
eCl@ss 6.0	27261200
eCl@ss 7.0	27440210
eCl@ss 8.0	27440210
eCl@ss 9.0	27440210

# Panel mounting frame set - VS-PPC-F1-RJ45-MNNA-1R-FJJ - 1405361

## Classifications

### ETIM

ETIM 3.0	EC002310
ETIM 4.0	EC002310
ETIM 5.0	EC002310
ETIM 6.0	EC002310
ETIM 7.0	EC002310

### UNSPSC

UNSPSC 6.01	31261501
UNSPSC 7.0901	31261501
UNSPSC 11	31261501
UNSPSC 12.01	31261501
UNSPSC 13.2	39121421
UNSPSC 18.0	39121421
UNSPSC 19.0	39121421
UNSPSC 20.0	39121421
UNSPSC 21.0	39121421

## Approvals

### Approvals

---

### Approvals


### EAC

---

### Ex Approvals

---

## Approval details

EAC		B.01687
-----	---	---------