

## Panel mounting frames - VS-PPC-F1-RJ45-MNNA-1R-F - 1405358


Please be informed that the data shown in this PDF Document is generated from our Online Catalog. Please find the complete data in the user's documentation. Our General Terms of Use for Downloads are valid (<http://phoenixcontact.com/download>)



RJ45 panel mounting frame, IP67, for push-pull interlocking, metal, with the Freenet system, for square panel cutout, with grommet, without mounting screws



### Key Commercial Data

Packing unit	1 pc
GTIN	 4 046356 419949
GTIN	4046356419949
Weight per Piece (excluding packing)	20.000 g
Custom tariff number	85389099
Country of origin	Germany

### Technical data

#### Mechanical characteristics

Weight	28.3 g
Flammability rating according to UL 94	V0

#### Ambient conditions

Ambient temperature (operation)	-40 °C ... 70 °C
---------------------------------	------------------

#### Material data

Housing material	Zinc die-cast
Housing surface material	Nickel-plated
Width	29.5 mm
Height	42 mm
Length	37 mm

# Panel mounting frames - VS-PPC-F1-RJ45-MNNA-1R-F - 1405358

## Technical data

### Material data

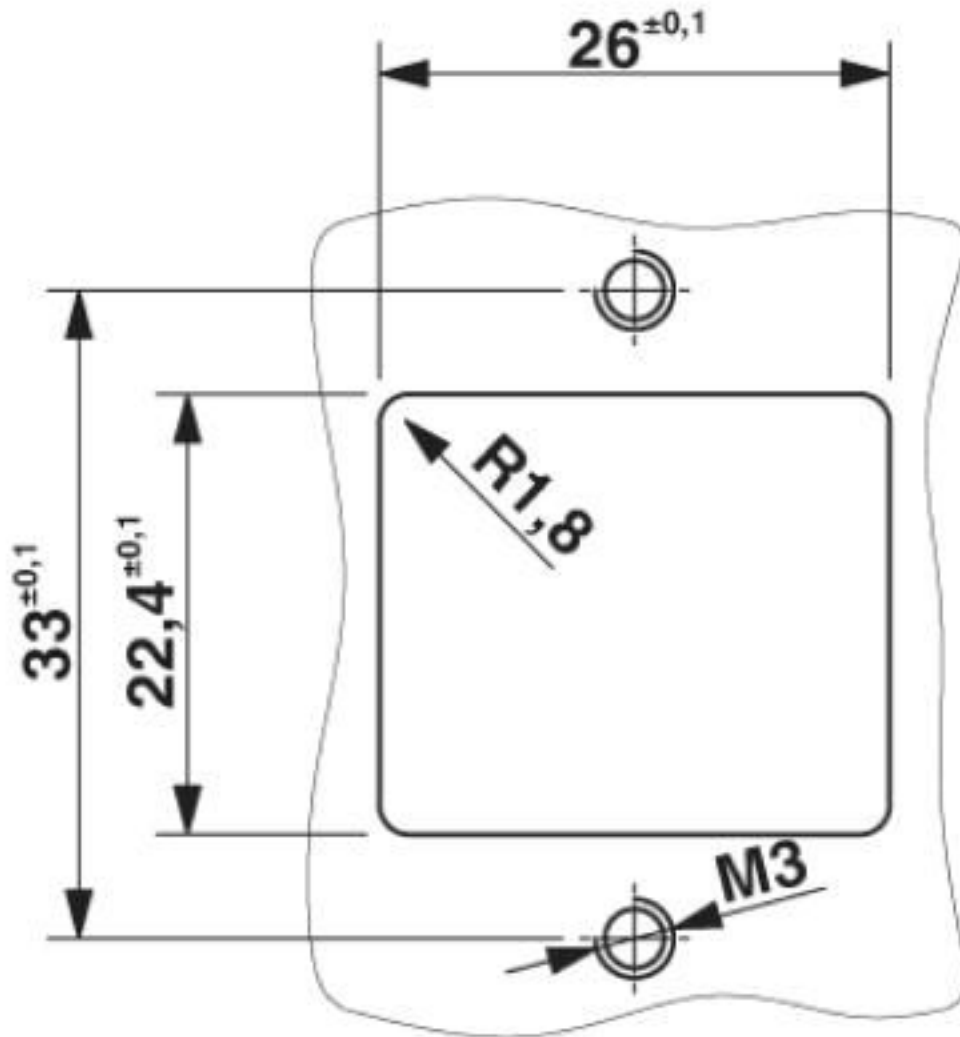
Housing surface material 1	Cu/Ni
----------------------------	-------

### Standards and Regulations

Flammability rating according to UL 94	V0
--	----

## Drawings

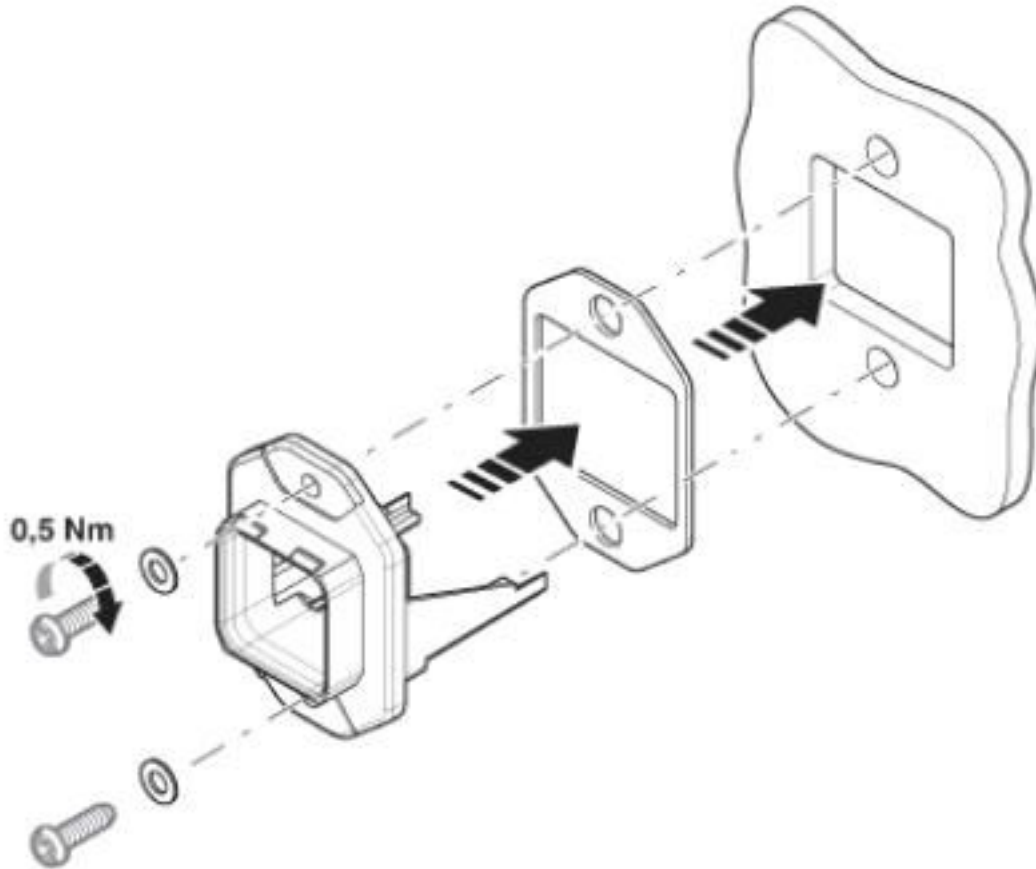
Dimensional drawing



### Mounting cutout

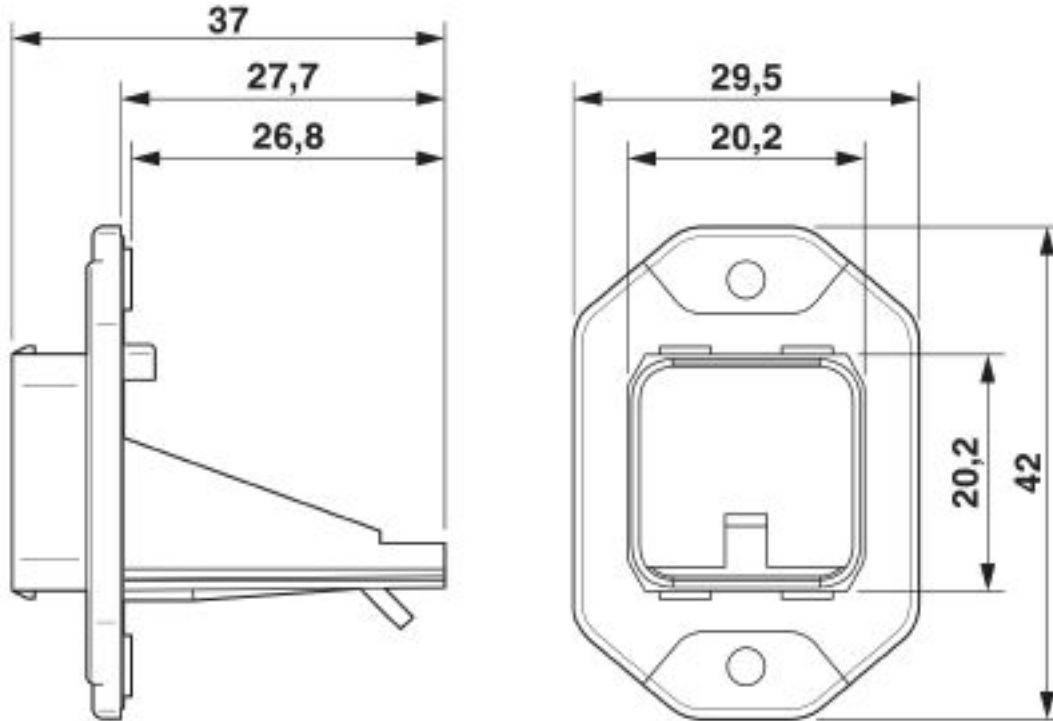
# Panel mounting frames - VS-PPC-F1-RJ45-MNNA-1R-F - 1405358

Exploded view



# Panel mounting frames - VS-PPC-F1-RJ45-MNNA-1R-F - 1405358

Dimensional drawing



Push-Pull panel mounting frame, Freenet system, IP67

## Classifications

eCl@ss

eCl@ss 10.0.1	27440210
eCl@ss 4.0	27260700
eCl@ss 4.1	27260700
eCl@ss 5.0	27260700
eCl@ss 5.1	27260700
eCl@ss 6.0	27261200
eCl@ss 7.0	27440210
eCl@ss 8.0	27440210
eCl@ss 9.0	27440210

ETIM

ETIM 3.0	EC001121
ETIM 4.0	EC001121
ETIM 5.0	EC002310

# Panel mounting frames - VS-PPC-F1-RJ45-MNNA-1R-F - 1405358

## Classifications

### ETIM

ETIM 6.0	EC002310
ETIM 7.0	EC002310

### UNSPSC

UNSPSC 6.01	31261501
UNSPSC 7.0901	31261501
UNSPSC 11	31261501
UNSPSC 12.01	31261501
UNSPSC 13.2	39121421
UNSPSC 18.0	39121421
UNSPSC 19.0	39121421
UNSPSC 20.0	39121421
UNSPSC 21.0	39121421

## Approvals

### Approvals

---

Approvals

EAC

---

Ex Approvals

---

### Approval details

EAC		B.01742
-----	---	---------

## Accessories

Accessories

Female insert

## Panel mounting frames - VS-PPC-F1-RJ45-MNNA-1R-F - 1405358

### Accessories

RJ45 coupling - CUC-F-D1ZNI-S/R4GCHP8 - 1086111



RJ45 coupling, degree of protection: IP20, number of positions: 8, 10 Gbps, CAT6<sub>A</sub>, material: Zinc die-cast, connection method: 2x RJ45, Freetnet design for use with IP67 panel mounting frame and terminal outlets

---

RJ45 socket insert - CUC-F-J1ZNI-S/R4IDC8 - 1418984



RJ45 socket insert, type: RJ45, degree of protection: IP20, number of positions: 8, 10 Gbps, CAT6<sub>A</sub>, material: Zinc die-cast, connection method: IDC connection, connection cross section: AWG 26- 22, Freetnet design for use with IP67 panel mounting frame and terminal outlets

---